

VESTEL



Built-in Household Appliances
2015 - 2016





Company Profile

2



Global Operations

3



Refrigerators

4-12



60 cm Dishwasher

13-38



45 cm Dishwashers

39-49



Ovens

50-95



Hobs

96-160



Specifications

161-188



Addresses

36-42

Company Profile



Vestel City, which comprises nine plants located in Manisa, is amongst the biggest industrial complexes of the world.

As one of the leading enterprises in Turkey, Vestel is a major player in consumer electronics, mobile technologies, household appliances, professional displays and LED lighting with renowned products, including refrigerators, washing machines, cooking appliances, dishwashers, air conditioners, water heaters, television sets, educational, hospitality and digital signage solutions, digital set-top boxes, tablet PCs, and smart phones.

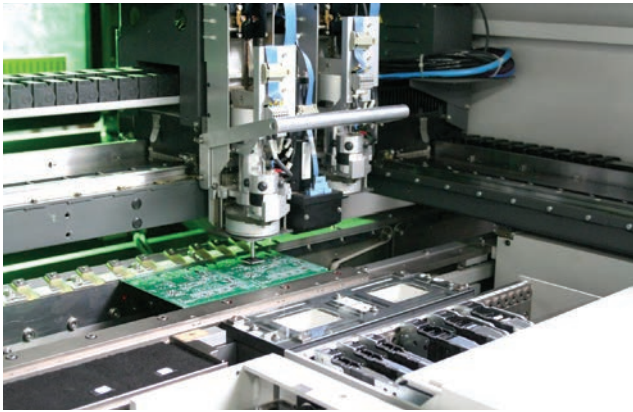
The company is recognised for its cutting-edge designs, high product quality, large production capacity, and superior market share growth.



Vestel is one of the ten biggest household appliance manufacturers in Europe, with its new product development ability, flexibility in production, and fast response to clients' demands.

Operating with an annual capacity of 3.2 million units, the company's two refrigerator plants produce a variety of models ranging from french door, no-frost, combi, double door, single door, to table top fridges and freezers, as well as built-in models.

Achieving similar success with washing machines, Vestel is able to produce 2.5 million units a year, with models ranging from 4 kg to 9 kg drum capacities. The group added washer dryers to the product range in 2012. The plant for cooking appliances operates with an annual capacity of 2,150,000 units, producing free-standing cookers, built-in hobs and ovens.



The household appliances product range includes free standing, semi and fully integrated dishwashers. The plant has the capacity to produce 1 million units a year.

In addition, the air conditioner factory is capable of producing 750,000 units of split-type models.

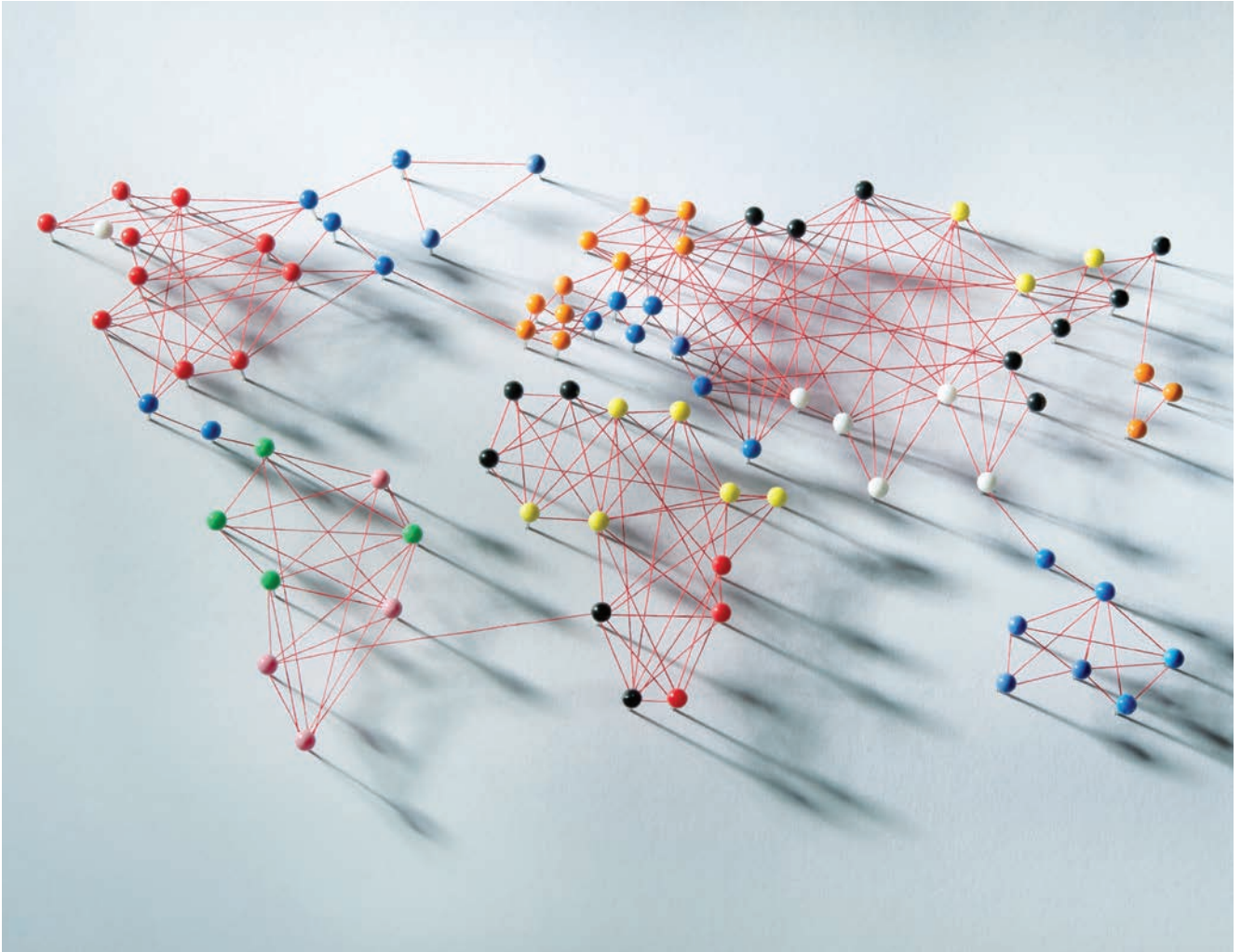
Vestel is the first company in Turkey operating two manufacturing plants in Russia for the production refrigerators, washing machines, and televisions with the aim of becoming a leader in CIS countries.



Vestel Trade, the company responsible for the marketing and sales of Vestel products overseas, exports 73% percent of its production under leading Japanese and European brands to 151 countries.

Vestel Trade has achieved export sales of 8.3 million units of electronics and 4.8 million units of household appliances.

Distributing its products to seven continents, Vestel takes its place as a world-class company.



Manufacturing & Assembly Plants

Refrigerator, Washing Machine,
Dishwasher, Cooking Appliances,
Air Conditioner, Water Heater, Manisa,
Turkey

LED TV, HD, IP/OTT PVR Set-top Boxes
– Manisa, Turkey

Professional Displays, Tablet PC, Smart
Phone – Manisa Turkey

Marketing & Sales Companies

Vestel Trade Co, Turkey

Vestel France, France

Vestel Germany GmbH, Germany

Vestel UK, The UK

Vestel Iberia, Spain

Gruppo Industriale Vesit, Italy

Vestel Benelux, The Netherlands

Vestel CIS Ltd, Russia

Vestel Electronica, Romania

Vestel Scandinavia, Finland

Vestfrost Household, Denmark

Vestel Central Asia, Kazakhstan

United Technical Services, Slovakia

Vestel Poland, Poland

R&D Centers

Manisa, Turkey

Istanbul, Turkey

Bristol, UK

Shenzen, China



Refrigerators



Door on Door Models

Cabinet door is mounted directly onto the refrigerator door and with the help of the hinge, the refrigerator opens wider and closes automatically.



Sliding Door Models

Cabinet door is Connected to the refrigerator door with sliding rails.



Spill-proof

Easy to clean glass shelves with lipped edges prevent spilling of food and drinks onto lower shelves.



Removable Magnetic Gasket

The gasket prevents growth of bacteria and microorganisms.



Safety Glass

Glass shelves are made of safety glass and can hold upto 20 kg in weight.



Ergonomic Dairy Rack Cover

Ergonomic design of the cover allows easy opening and closing, and even if you accidentally leave the cover open, the door closes perfectly without breaking cover.



Easy Lock Freezer Door

Mechanism of the handle enables easy opening and closing of the door.

Red mark on the door indicates and warns the user when the freezer door is left open.



Control Panel

Warning lights advise current freezer status and internal temperature rise.

Quick Service Control Box Thermostat and other controls are easily reachable for service purposes.

Energy Efficiency

Vestel built-in fridges and freezers are available with or

(A⁺⁺), (A⁺) or (A) energy class.

Star Rating ********

All Vestel freezers have 4 star rating which allows you to safely freeze fresh food and deeply store frozen food.

Reversible Doors

All Vestel refrigerator doors can be opened to the left or right with a simple adjustment.

Wire shelves and opaque white accessories are also available for all models.

BGN 3310



Built In Frost Free Combi

Niche 1780 mm
Sliding Door
Door on Door: BGN3310 DOD
Reversible Doors

Fridge

3 Removable Shelves Safety Glass Shelves
1 Glass Shelf over Crisper 1 Crisper
Automatic Defrosting

Technical Data

Energy Class: A+
Gross / Net Volume: 235 lt / 216 lt
Net Fridge / Freezer Volume: 158 lt / 58 lt
Product Dimensions (HxWxD):
1770 x 540 x 545 mm

Indoor Features

1 Dairy Rack
1 Egg Holder
2 Transparent Shelves
1 Bottle Shelf

Freezer

Automatic Defrosting
**** Freezer
3 Freezer Compartments
1 Ice Box



BGN 3320

Built In Combi

Niche 1780 mm
Sliding Door
Door on Door: BGN3320 DOD
Reversible Doors

Fridge

3 Removable Shelves
Safety Glass Shelves
1 Glass Shelf over Crisper
Crisper
Automatic Defrosting

Technical Data

Energy Class: A+/A
Gross / Net Volume: 235 lt / 226 lt
Net Fridge / Freezer Volume: 158 lt / 68 lt
Product Dimensions (HxWxD):
1770 x 540 x 545 mm

Indoor Features

1 Dairy Rack
1 Egg Holder
2 Transparent Shelves
1 Bottle Shelf

Freezer

**** Freezer
3 Freezer Compartments
1 Ice Box



BGN 3200



Built In Frost Free Combi

Niche 1780 mm
Sliding Door
Door on Door also available BGN3200 D

Fridge

3 Removable Shelves
Spill Proof Safety Glass Shelves 1 Glass
Shelf over Crisper
2 Crispers
Automatic Defrosting

Technical Data

Energy Class: A+ / A
Gross / Net Volume: 276 lt / 264 lt
Net Fridge / Freezer Volume: 189 lt / 75 lt
Product Dimensions (HxWxD):
1770 x 540 x 545 mm

Indoor Features

1 Dairy Rack with Transparent Cover
1 Egg Holder
2 Transparent Shelves
1 Bottle Shelves

Freezer

**** Freezer
3 Freezer Compartment
1 Ice Box
Manual Defrost



BGN 2610

Built In Double Door

Niche 1450 mm
Sliding Door
Door on Door : BGN2610 DOD
Reversible Doors

Fridge

3 Removable Shelves
Safety Glass Shelves
1 Glass Shelf over Crisper
2 Crispers
Automatic Defrosting

Technical Data

Energy Class: A++ / A+
Gross / Net Volume: 217 lt / 214 lt
Net Fridge / Freezer Volume: 176 lt / 38 lt
Product Dimensions (HxWxD):
1445 x 540 x 545 mm

Indoor Features

1 Dairy Rack
1 Egg Holder
2 Transparent Shelves
1 Bottle Shelf

Freezer

**** Freezer
3 Freezer compartments
1 Ice Box



BGN 2400



Built In Single Door

Niche 1230 mm
Sliding Door
Door on Door: BGN2400 DOD
Reversible Door

Fridge

**** Freezer Compartment
Freezer Door Indicator
1 Ice Box
3 Removable Shelves
Safety Glass Shelves
1 Glass Shelf over Crisper
2 Crispers
Automatic Defrosting

Technical Data

Energy Class: A++ / A+ / A
Gross / Net Volume: 195 lt / 192 lt
Net Fridge / Freezer Volume: 175 lt / 17 lt
Product Dimensions (HxWxD):
1225x540x545 mm

Indoor Features

1 Dairy Rack
1 Egg Holder
2 Transparent Shelves
1 Bottle Shelf



BGN 2500

Built In Single Door

Niche 1230 mm
Sliding Door
Door on Door: BGN2500 DOD
Reversible Door

Fridge

4 Removable Shelves
Safety Glass Shelves
1 Glass Shelf over Crisper
2 Crispers
Automatic Defrosting

Technical Data

Energy Class: A++ / A+ / A
Gross / Net Volume: 206 lt / 204 lt
Product Dimensions (HxWxD):
1225 x 540 x 545 mm

Indoor Features

1 Dairy Rack
1 Egg Holder
2 Transparent Shelves
1 Bottle Shelf



BGN 1800

**Built In Single Door**

Niche 1030 mm
Sliding Door
Door on Door: BGN1800 DOD
Reversible Door

Fridge

 Freezer Compartment
Freezer Door Indicator
1 Ice Box
2 Removable Shelves
Safety Glass Shelves
1 Glass Shelf over Crisper
2 Crispers
Automatic Defrosting

Technical Data

Energy Class: A++ / A+ / A
Gross / Net Volume: 153 lt / 150 lt
Net Fridge / Freezer Volume: 133 lt / 17 lt
Product Dimensions (HxWxD):
1020 x 540 x 545 mm

Indoor Features

1 Dairy Rack
1 Egg Holder
2 Transparent Shelves
1 Bottle Shelf



BGN 1900

Built In Single Door

Niche 1030 mm
Sliding Door
Door on Door: BGN1900 DOD
Reversible Door

Fridge

3 Removable Shelves
Safety Glass Shelves
1 Glass Shelf over Crisper
2 Crispers
Automatic Defrosting

Technical Data

Energy Class: A++ / A+ / A
Gross / Net Volume: 162 lt / 160 lt
Product Dimensions (HxWxD):
1020 x 540 x 545 mm

Indoor Features

1 Dairy Rack
1 Egg Holder
2 Transparent Shelves
1 Bottle Shelf



Single Door



A++

A+

BGN 1400

Built In Single Door

Niche 880 mm
Sliding Door
Door on Door: BGN1400 DOD
Reversible Door

Fridge

**** Freezer Compartment
Freezer Door Indicator
1 Ice Box
2 Removable Shelves
Safety Glass Shelves
1 Glass Shelf over Crisper
2 Crispers
Automatic Defrosting

Indoor Features

1 Dairy Rack
1 Egg Holder
1 Transparent Shelf
1 Bottle Shelf

Technical Data

Energy Class: A++ / A+ / A Gross /
Net Volume: 126 lt / 123 lt Net Fridge /
Freezer Volume:
106 lt / 17 lt
Product Dimensions (HxWxD):
875 x 540 x 545 mm

BGN 1500

Built In Single Door

Niche 880 mm
Sliding Door
Door on Door: BGN1500 DOD
Reversible Door

Fridge

3 Removable Shelves
Safety Glass Shelves
1 Glass Shelf over Crisper
2 Crispers
Automatic Defrosting

Indoor Features

1 Dairy Rack
1 Egg Holder
1 Transparent Shelves
1 Bottle Shelf

Technical Data

Energy Class: A++ / A+ / A
Gross / Net Volume: 137 lt / 136 lt
Product Dimensions (HxWxD):
875 x 540 x 545 mm



A++

A+



A++

A+

BGN 1450

Built In Single Door

Niche 880 mm
Sliding Door
Door on Door: BGN1450 DOD
Reversible Door

Fridge

**** Freezer
4 Freezer Compartments
1 Ice Box
Manual Defrost
Control Panel

Technical Data

Energy Class: A++ / A+ / A Gross / Net
Volume: 109 lt / 99 lt
Product Dimensions (HxWxD):
875 x 540 x 545 mm
Quick Freeze
Mains On
Temperature Rise Warning

BGN 1600 DOD

**Built In Single Door**

Niche 820 mm
Door On Door
Reversible Door

Fridge

1 Removable Shelf
1 Glass Shelf over Crisper
1 Crisper
Automatic Defrosting
Safety Glass Shelves

Indoor Features

1 Transparent Shelf
1 Egg Holder
1 Bottle Shelf

Technical Data

Energy Class: A+
Gross / Net Volume: 120 lt / 115 lt
Product Dimensions (HxWxD):
818 x 595 x 548 mm

A+

BGN 1700 DOD

Built In Single Door

Niche 820 mm
Door On Door
Reversible Door

Fridge

2 Removable Shelves
1 Glass Shelf over Crisper
1 Crisper
Automatic Defrosting
Spill Proof Safety Glass Shelves

Indoor Features

1 Transparent Shelf
1 Egg Holder
1 Bottle Shelf

Technical Data

Energy Class: A+ / A
Gross / Net Volume: 136 lt / 133 lt
Product Dimensions (HxWxD):
818 x 595 x 548 mm



A+

BGN 1650 DOD

**Built In Single Door**

Niche 820 mm
Door On Door
Reversible Door

Technical Data

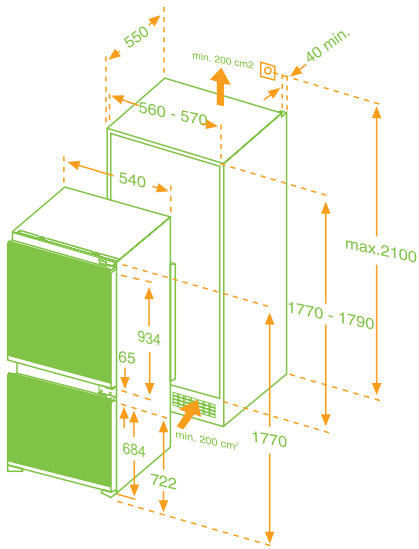
Energy Class: A+ / A
Gross / Net Volume: 107 lt / 95 lt
Product Dimensions (HxWxD):
818 x 595 x 548 mm

Fridge

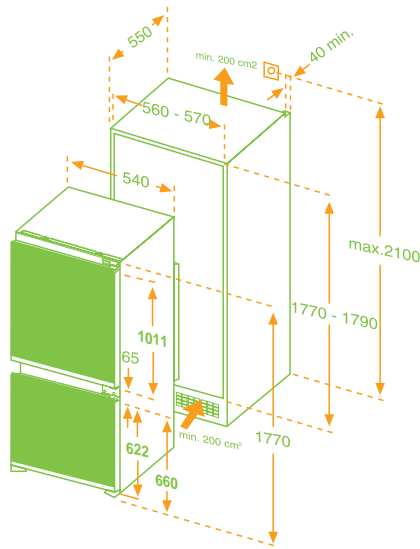
**** Freezer
3 Freezer Compartments
1 Ice Box
Manual Defrost
Control Panel
Quick Freeze
Mains On
Temperature Rise Warning

A+

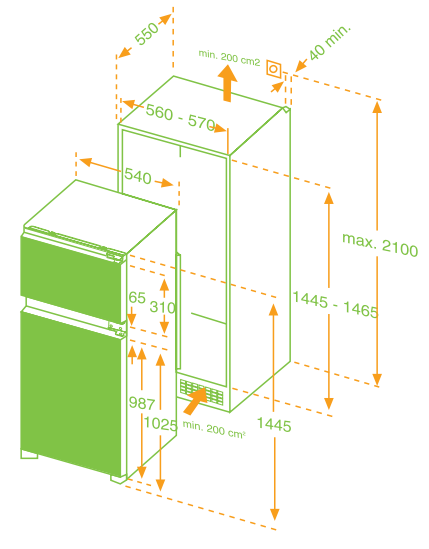
BGN 3310 - 3320



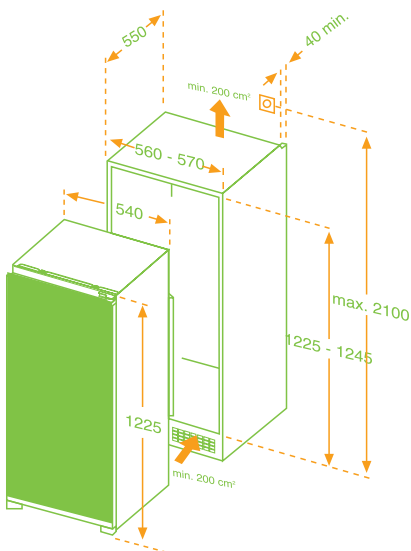
BGN 3200



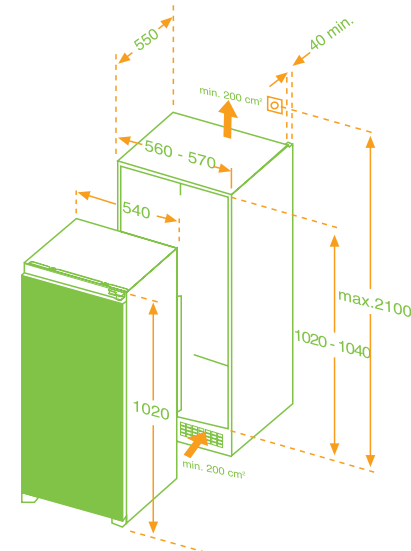
BGN 2610



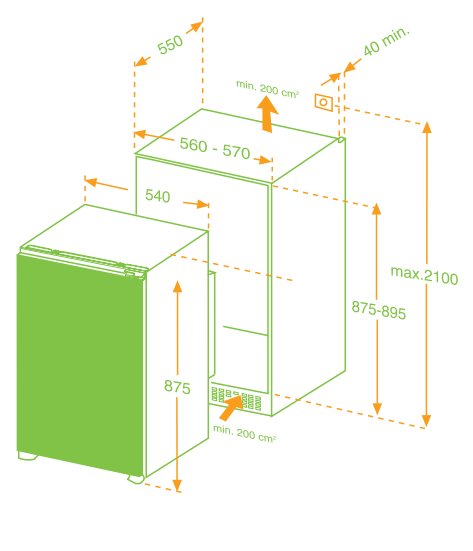
BGN 2400 - 2500



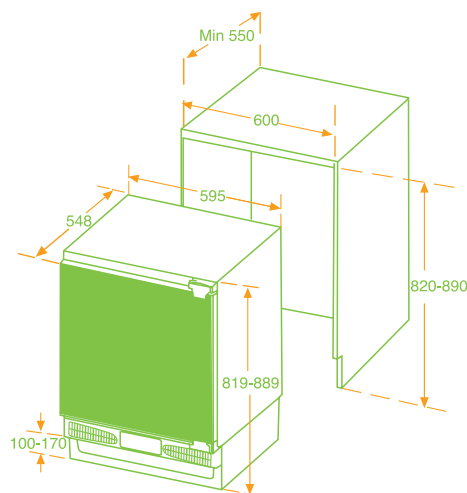
BGN 1900 - 1800



BGN 1400 - 1450 - 1500



BGN 1600 - 1650 - 1700





60 cm Dishwashers

Features



A+++ -%20 AA Class / A++ AA / A+ AA

Top class ratings for "Energy Consumption", "Washing Performance", "Drying Performance."

Overflow and Leakage Protection

The dishwasher activates overflow mode when there is too much water in the dishwasher and the excess water is drained. It also detects leaks in the base of the dishwasher, shuts down operation and automatically pumps out water before contact with floor. The unit can auto reset the overflow mode until the water level in the basement cover reaches a certain level.

Heater Safety Protection

In case of lack of water, with the help of a pressure switch, the resistance is prevented from being in operation. So both the resistance and the machine itself are protected.



Auto Programs with Turbidity Sensor

Turbidity sensor detects the amount of turbidity in water and adjusts the washing cycle parameters (temperature, duration, amount of water) accordingly.



Ecowash Option

Eco Friendly Ecowash technology provides washing performance when dishwasher is not fully loaded, only lower basket or upper basket or both are used with half load if necessary by using half load option. Ecowash technology saves energy and water by reducing energy and water consumption due to load options.



Delay Timer

The start time of a program can be delayed, e.g. to benefit from economy rates of electricity. A delay start time of between 1 hour and 19 hours can be selected.



Super 50

VESTEL dishwasher achieves A class washing performance with advanced washing program in only "50" min without diverter. You can save time with this program. It is the first and unique dishwasher that achieves A class washing performance according to EN50242 for standard soiled dishes in only 50 minutes.



Extra Silent

It is possible to have more silent washing with variable speed motor technology! Extra silent option decreases noise level of program without decreasing cleaning quality in day or night time when silence is required.



Extra Drying

It is possible to have better drying performance with extra drying option. This option increases water temperature at final rinse step and increase drying step duration up to 10 min.



Extra Hygiene

Extra hygiene option which is developed for Vestel Dishwashers ensures a maximum hygiene with high temperature washing. It increases water temperature at final rinse step in order to eliminate bacteria.



Extra Fast

Extra fast option decreases program duration while it is increasing water temperature and pressure to ensure high washing quality in a shorter duration.



Extra Rinse

Extra rinse option adds an extra rinse step to achieve more hygienic washing. Program duration is increased between min. %4 and max. %16 according to the washing program.



Tablet/All in 1 option

Tablet detergents and combined detergent that contains salt, rinse aid and extra functions are compact and easy to use. But they may have some drawbacks or undissolved tablet residues which are left in the machine. With this option, water reaches optimum temperature to dissolve the combined detergent ideally and eliminates such drawbacks and assures maximum performance when tablet detergents are used.



Child Lock

Child lock option prevents children from playing with the dishwasher. It allows you to lock the buttons on the control panel so children cannot accidentally start the dishwasher by pressing the buttons on the panel.



Jet Wash

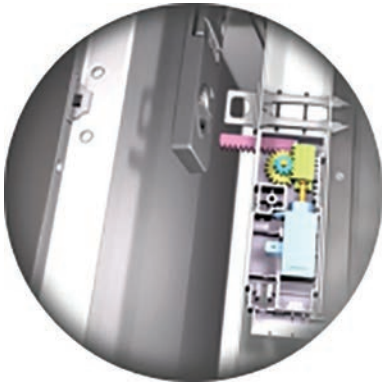
With this fast program, you can put fresh less dirty, coffee, milk and tea into the machine and clean the dishes in only 18 minutes. This program is one of the fastest programs in the world. It cleans your dishes with 4 place settings capacity in 18 minutes. This option, water reaches optimum temperature to dissolve the combined detergent ideally and eliminates such drawbacks and assures maximum performance when tablet detergents are used.



BLDC Pump Technology

This technology enables all other options and program to save water, energy and time. Also by changing water pressure noise level can be reduced to have more silent washing.

Features



AUTO
DOOR

A+++
-20%

Auto Door

Auto Door is a technology that makes the drying process more efficient. Auto Door opens the door of the dishwasher during the drying process automatically and by this way the hot air goes out of the dishwasher by itself and so the energy needed to dry the dishes is reduced significantly.

A+++ -20% energy consumption for 14 P.S. is achieved with the help of this technology.



Water Box

The working principle of Water Box Technology is based on getting the last clean cycle rinse water, filtering it to avoid any particles and saving it in an isolated box.

Then it can be used as the prewash cycle cleaning water next for the cycle.





with turbo fan

Turbo Drying System

It activates a fan which draws steam out of the dishwasher cabinet. Air circulation is much more forced, hence results in better drying performance.



without turbo fan

Active Drying System

A portion of the washtub wall is a heat exchanger which, at the end of the rinsing cycle, promotes condensation of the water inside the tub, and hence drying of the dishes.

Adjustable Rear Foot from the Front



Front Decor Fixations Different Weights

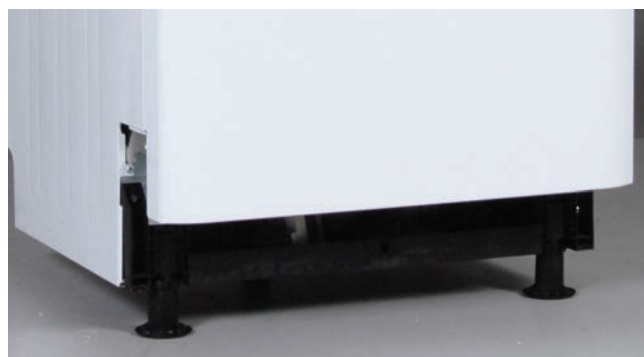


Adjustable Plinth



0-100 mm dept adjustment
820-870 mm machine height adjustment with high feet

High Feet



The machine can be elevated by 50 mm
(820 → 870-920 mm with high feet)

Features

Upper Basket

Mesh Type



Peg Type



Upper Basket Options

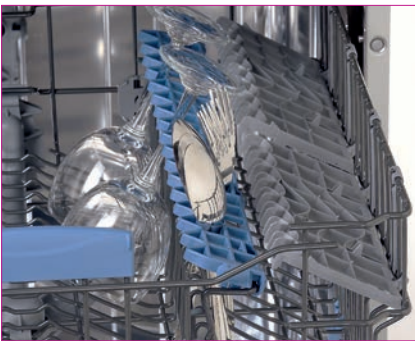
Foldable Wire



Adjustable Mug Shelves



Spoon Rack & Glass Support



Adjustable Upper Basket with Load



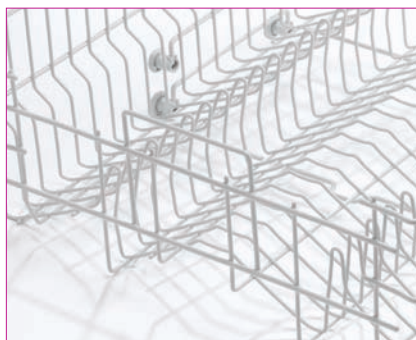
Adjustable Upper Basket without Load



Plastic Handle



Wire Handle



Handle with Customized Logo



* For 15 place settings and only for upper basket

Lower Basket

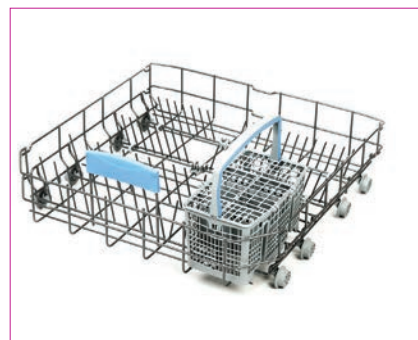
12 Place Settings



15 Place Settings



12 Place Settings (For Sliding Cutlery Basket)



Lower Basket Options

Foldable Wire (2 or 4)



Multi-functional Kit for Lower Basket



Bottle Holder



Plastic Handle



Wire Handle



Universal Cutlery Basket



Standard Cutlery Basket



Modular Cutlery Basket



Sliding Cutlery Basket



Features

3rd Rack

Upper Cutlery Basket

The upper cutlery basket is designed to place forks, spoons and knives, long dippers and small items. You can take out the dishes along with the 3rd rack washing.



Easy Tray



The Upper Cutlery Basket is composed of two pieces; you can take out the left or right part of the upper cutlery basket to obtain more space for the dishes



Extras

Top Nozzle
(Optional For 12 P.S.)



Impeller
(Optional For 15 P.S.)



Aqua Stop



Plastic Filter (Optional)



Stainless Steel Filter (Default)



Antibacterial Filter (Optional)



Interior LED Lighting (White)



Pop-in-Pop-out-Knob for Semi Integrated Dishwasher



Features

Plate Dimension For 12 P.S.



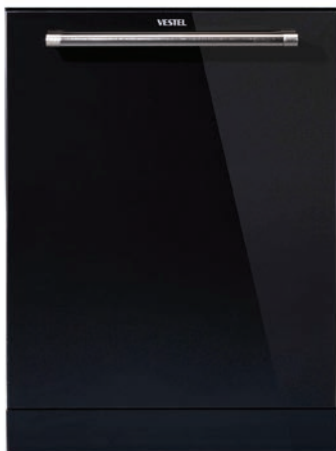
Plate Dimension For 15 P.S.



Semi-integrated



Acrylic Glass Door (Black)



Fully-Integrated



Panel Versions

T31, T32: Big LED display. 6 - 8 programs, rinse-aid / salt indicator, child lock option, washing cycle indicators, half load option (with 3 modes) (lower basket / upper basket / half load on both baskets), delay timer (1...24hr), extra dry option, extra hygiene option, 3 in 1 tablet detergent option, remaining time.



T34: 8 programs, Rinse aid / salt indicator, Child lock option, half load option (with 3 modes) / (lower basket / upper basket / half load on both baskets), Display (remaining time, delay timer), 3 in 1 tablet detergent option, Delay timer (1...24hr), Washing cycle indicators, Extra silent option, Extra fast option, Auto door open option, Energy save option.

T35: 8 programs, Rinse aid / salt indicator, Child lock option, half load option (with 3 modes) / (lower basket / upper basket / half load on both baskets), Display (remaining time, delay timer), 3 in 1 tablet detergent option. Delay timer (1....24hr), Washing cycle indicators, Extra silent option, Extra fast option, Auto door open option, Energy save option ,water recovery system.

Control Panel Types for T Series

T11: 3 Programs, rinse-aid/salt indicator, child lock option, washing cycle indicators, half load option (with one mode)

T11



T12: 4 Programs, rinse-aid / salt indicator, child lock option, washing cycle indicators, half load option (with one mode), display (remaining time, delay timer), delay timer (124hr)

T12



T13: 6 Programs, rinse-aid / salt indicator, child lock option, washing cycle indicators, half load option (with one mode), display (remaining time, delay timer), delay timer (124hr), extra hygiene option, 3 in 1 tablet detergent option

T13



T21: 8 Programs, rinse-aid / salt indicator, child lock option, washing cycle indicators, half load option (with 3 modes) (lower basket / upper basket/ half load on both baskets), display (remaining time, delay timer), delay timer (124hr), extra dry and rinse options, extra hygiene option, 3 in 1 tablet detergent option

T21 - T24 - T25



T24: 8 Programs, rinse-aid / salt indicator, child lock option, washing cycle indicators, half load option (with 3 modes) (lower basket / upper basket/ half load on both baskets), display (remaining time, delay timer), delay timer (124hr), 3 in 1 tablet detergent option, extra silent option, extra fast option, energy save option, auto door option

T25: 8 Programs , rinse-aid / salt indicator, child lock option, washing cycle indicators, half load option (with 3 modes) ,display (remaining time, delay timer), delay timer (1...24 hr) , 3 in 1 tablet detergent option, hygiene option, extra silent option, extra fast option, energy save button

Programs

LED 60cm Models	T31	T32	T34	T35
Programs				
Prewash	Yes	Yes	No	No
Jet Wash 18'	Yes	Yes	Yes	Yes
Eco50°C	Yes	Yes	Yes	Yes
Quick 30' 40°C	Yes	Yes	Yes	Yes
Super 50' 65 °C	Yes	Yes	Yes	Yes
Dual Pro Wash 60°C	No	No	Yes	Yes
Auto delicate 30°C-50°C	No	Yes	Yes	Yes
Auto normal 50°C-60°C	No	Yes	No	No
Auto intensive 50-70	No	No	Yes	Yes
Auto intensive 60°C-70°C	Yes	Yes	No	No
Hygiene 70°C	No	No	Yes	Yes

T SERIES 60cm Models	T11	T12	T13	T21	T24	T25
Programs						
Prewash	No	No	Yes	Yes	No	No
Jet wash 18'	No	No	No	No	Yes	Yes
Eco 50°C	Yes	Yes	Yes	Yes	Yes	Yes
Intensive 65°C	Yes	Yes	Yes	No	No	No
Quick 30' 40°	No	Yes	Yes	Yes	Yes	Yes
Super 50' 65 °C	Yes	Yes	Yes	Yes	Yes	Yes
Delicate 40°C	No	No	Yes	No	No	No
Daily 60°C	No	No	No	Yes	No	No
Auto delicate 30-50	No	No	No	Yes	Yes	Yes
Auto normal 50-60	No	No	No	Yes	No	No
Auto intensive 60-70	No	No	No	Yes	Yes (50°C-70°C)	Yes (50°C-70°C)
Hygiene 60°C	No	No	No	No	No	No
Hygiene 70°C	No	No	No	No	Yes	Yes
Dual Wash 60°C	No	No	No	No	Yes	Yes
Extra Intensive 70°C (Prewash+Intensive 65°C)	No	No	No	No	No	No
Extra Hygiene 70°C (Prewash+Hygiene 60°C)	No	No	No	No	No	No

Semi-Integrated

Panel Versions

SNSC11: 2 Programs, wash & end-of-cycle indicator

SNSC12: 3 Programs, wash & end-of-cycle indicator

SNSC13: 4 Programs, wash & end-of-cycle indicator

SNSC14: 5 Programs, wash & end-of-cycle indicator (Alternative 1)

For **SNSC1 series**; half-load, rinse aid indicator, salt indicator can be selected. (Alternative 2)

SNSC21: 6 Programs, Prewash option, Washing cycle indicators, Delay start option, Child lock option, Rinse-aid indicator, Salt indicator

SNSC31: 7 Programs, Prewash option, Washing cycle indicators, Delay start option, Half-load option, Child lock option, Rinse-aid indicator, Salt indicator

SNSC41: 9+ Programs, DISPLAY, Prewash option, Half-load option, 3 in 1 option, Child lock option, Delay start option, Rinse-aid indicator, Salt indicator

Alternative 1



Alternative 2



Programs

SEMI INTEGRATED 60cm Models	SC11	SC12	SC13	SC14	SC15	SC16	SC21	SC31	SC41
Programs									
Prewash	No	No	No	No	Yes	Yes	Yes*	Yes*	Yes*
Eco 50°C	Yes	Yes	Yes	Yes	Yes	Yes	Yes	Yes	Yes
Intensive 65°C	Yes	Yes	Yes	Yes	Yes	Yes	Yes	Yes	No
Quick 30' 40°	No	No	Yes	Yes	Yes	Yes	Yes	Yes	Yes
Super 50' 65 °C	No	Yes	Yes	Yes	Yes	Yes	Yes	Yes	No
Super 55' 60 °C	No	No	No	No	No	No	No	No	Yes
Delicate 40°C	No	No	No	No	No	Yes	No	Yes	No
Normal 55°C	No	No	No	No	No	No	No	No	No
Auto delicate 30-50	No	No	No	No	No	No	No	No	Yes
Auto normal 50-60	No	No	No	No	No	No	No	No	Yes
Auto intensive 60-70	No	No	No	No	No	No	No	No	Yes
Hygiene 60°C	No	No	No	No	No	No	No	No	Yes
Hygiene 70°C	No	No	No	Yes	Yes	Yes	No	No	No
Extra Intensive 70°C (Prewash+Intensive 65°C)	No	No	No	No	No	No	Yes	Yes	No
Extra Hygiene 70°C (Prewash+Hygiene 60°C)	No	No	No	No	No	No	No	No	Yes

* separate function button

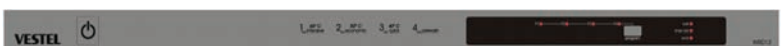
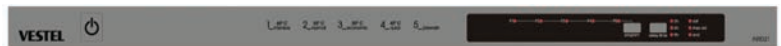
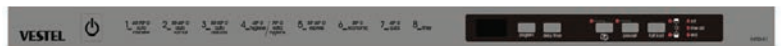
Panel Versions

D41: 9+ Programs, DISPLAY, Prewash option, Halfload option, 3 in 1 option, Delay start option, Rinse-aid indicator, Salt indicator, End of cycle indicator

D21: 5 Programs, End of cycle indicator, Delay start option, Rinse-aid indicator, Salt indicator

D13: 4 Programs, End of cycle indicator Rinse-aid indicator, Salt indicator

Rhea



D41: 9+ Programs, DISPLAY, Prewash option, Halfload option, 3 in 1 option, Delay start option, Rinse-aid indicator, Salt indicator, End of cycle indicator

D21: 5 Programs, End of cycle indicator, Delay start option, Rinse-aid indicator, Salt indicator

D13: 4 Programs, End of cycle indicator Rinse-aid indicator, Salt indicator

Astrum



Programs

Fully Integrated 60cm Models	D13	D21	D41
Programs			
Eco 50°C	Yes	Yes	Yes
Intensive 65°C	Yes	Yes	Yes
Intensive 70 °C	Yes	No	No
Quick 30' 40°	No	Yes	No
Super 50' 65 °C	No	Yes	Yes
Super 55' 60 °C	Yes	Yes	No
Delicate 40°C	No	No	Yes
Normal 55°C	No	No	No
Auto delicate 30-50	No	No	No
Auto normal 50-60	No	No	Yes
Auto intensive 60-70	No	No	Yes
Hygiene 60°C	No	No	Yes
Hygiene 70°C	No	No	No
Extra Intensive 70°C (Prewash+Intensive 65°C)	No	No	Yes
Extra Hygiene 70°C (Prewash+Hygiene 60°C)	No	No	No

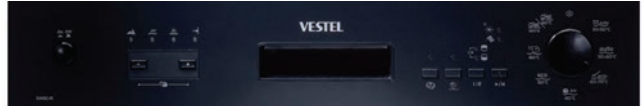
Color Options

Semi-Integrated Panel Color Options

Silva White



Silva Black



Silva Inox



Silva Aluminium Look



Amaranth Dark Silver



Amaranth White



Amaranth Black



Patara - White



Patara - Black



Patara - Dark Silver

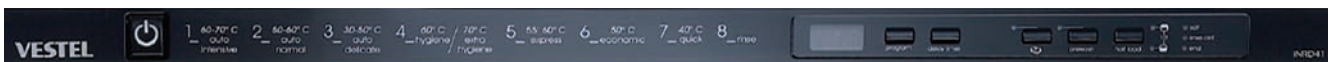


Fully-Integrated Panel Color Options

White



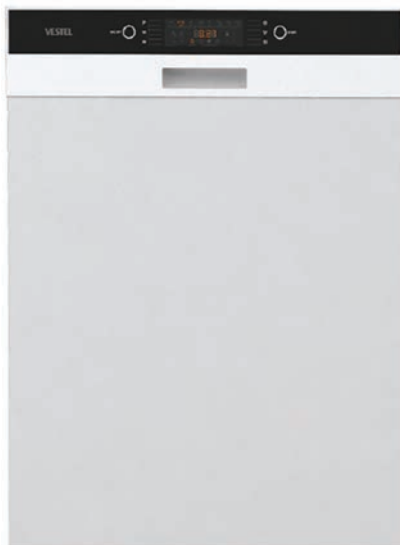
Black



Dark Silver



Patara



ST35

Standard Features

14 place settings
 8 programs, 6+ temperatures
 Rinse aid / Salt indicator
 Child lock option
 Half load option (with 3 modes)
 (lower basket / Upper basket / Half load on both baskets)
 Display (remaining time, delay timer)
 3 in 1 tablet detergent
 Delay timer (1...24hr)
 Washing cycle indicators
 9 lt water consumption
 Extra silent option
 Extra fast option
 Auto door open option
 Energy save option
 Overflow and leakage protection
 Heater protection
 Dimensions: 59.6 x 57.3 x 82 cm

Available Structures

A+++ AA -%20, 44 dB(A) - 14 PS

Color Options

White, Black, Dark Silver



ST34

Standard Features

12 / 15 place settings
 8 programs, 6+ temperatures
 Rinse aid / Salt indicator
 Child lock option
 Half load option (with 3 modes) (lower basket / Upper basket / Half load on both baskets)
 Display (remaining time, delay timer)
 3 in 1 tablet detergent
 Delay timer (1...24hr)
 Washing cycle indicators
 9 lt water consumption
 Extra silent option
 Extra fast option
 Auto door open option
 Energy save option
 Overflow and leakage protection
 Heater protection
 Dimensions: 59.6 x 57.3 x 82 cm

Available Structures

A+++ AA, 44 dB(A) - 15 PS
 46 dB(A) - 12 PS

Color Options

White, Black, Dark Silver



Patara



Semi-Integrated

Patara



ST32

Standard Features

- 12 / 15 place settings
- 8 programs, 6+ temperatures
- Rinse aid / Salt indicator
- Child lock option
- Half load option (with 3 modes)
(lower basket / Upper basket /
Half load on both baskets)
- Display (remaining time, delay timer)
- 3 in 1 tablet detergent option
- Delay timer (1...24hr)
- Washing cycle indicators
- 9 lt water consumption
- Extra hygiene option
- Overflow and leakage protection
- Heater protection
- Dimensions: 59.6 x 57.3 x 82 cm

Available Structures

A++ 54/52/49/47/45 dB(A)

Color Options

White, Black, Dark Silver



ST31

Standard Features

- 12 / 15 place settings
- 6 programs, 6+ temperatures
- Rinse aid / Salt indicator
- Child lock option
- Half load option (with 3 modes) (lower
basket / Upper basket /
Half load on both baskets)
- Display (remaining time, delay timer)
- Extra hygiene option
- 3 in 1 tablet detergent option
- Delay timer (1...24hr)
- Washing cycle indicators
- 9 lt water consumption
- Extra dry option
- Overflow and leakage protection
- Heater protection
- Dimensions: 59.6 x 57.3 x 82 cm

Available Structures

A++AA, 54/52/49/47/45 dB(A)

Color Options

White, Black, Dark Silver

Patara



Silva

SC41

**Standard Features**

12/15 place settings
 9+ programs (including auto programs)
 Half load option (lower basket / upper basket / half load on both baskets)
 Rinse aid / Salt indicator
 3 in 1 tablet detergent button
 Prewash button
 Delay timer (1 ... 19 hr)
 Washing cycle indicators
 Child lock option
 9 lt water consumption
 Overflow and leakage protection
 Heater protection
 Dimensions (WxDxH): 59.6x57.3x82 cm
 White cabinet

Available Structures

A++ AA, 54/52/49/47/45 dB(A)

Panel add on material

White / Black / Aluminium look lexan, inox sheet



SC31

Standard Features

12 place settings
 7 programs, 4 temperatures
 Half load option (lower basket / upper basket / half load on both baskets)
 Rinse aid / Salt indicator
 Prewash button
 Delay timer (3-6-9-12 hr)
 Child lock option
 Washing cycle indicators
 9 lt water consumption
 Overflow and leakage protection
 Heater protection
 Dimensions (WxDxH): 59.6x57.3x82 cm
 White cabinet

Available Structures

A+AA, 54/52/49/47/45 dB(A)

Panel add on material

White / Black / Aluminium look lexan, inox sheet

Silva



Semi-Integrated

Silva



SC21

Standard Features

- 12 place settings
- 6 programs, 4 temperatures
- Rinse aid / Salt indicator
- Prewash button
- Delay timer (3-6-9-12 hr)
- Child lock option
- Washing cycle indicators
- 12 lt water consumption
- Overflow and leakage protection
- Heater protection
- Dimensions (WxDxH): 59.6x57.3x82 cm
- White cabinet

Available Structures

A+ AA, 57/54/52/49/47/45 dB(A)

Panel add on material

White / Black / Aluminium look lexan,
inox sheet



SC1X

Standard Features

- 12 place settings
- 2,3,4,5,6,7 programs
- Wash & end of cycle indicator
- Half-load (optional)*
- Rinse aid / Salt indicator (optional)*
- 12 lt water consumption
- Overflow and leakage protection
- Heater protection
- Dimensions (WxDxH): 59.6x57.3x82 cm
- White cabinet

Available Structures

A+AA, 57/54/52/49/47/45 dB(A)

Panel add on material

White / Black / Aluminium look lexan,
inox sheet

Silva



* Half-load option and Rinse aid/Salt indicator must be selected together



Amaranth

ST25

**Standard Features**

- 15 place settings
- 8 programs, 6+ temperatures
- Rinse Aid/salt indicator
- Child lock option
- Half load option (with 3 modes)
(lower basket/upper basket/half load on both baskets)
- Display (remaining time, delay timer)
- 3 in 1 tablet detergent option
- Delay timer (1...24hr)
- Washing cycle indicators
- 9 lt water consumption
- Extra silent option
- Extra fast option
- Energy save option
- Auto door open option
- Water recovery system

- Overflow and leakage protection
- Heater Protection
- Dimensions (WxDxH): 59.6x57.3x82 cm
- Inox cladding

Available Structures

A++ AA -%20, 44 dB(A) - 15 PS

Color Options

White, Black, Dark Silver



ST24

Standard Features

- 12/15 place settings
- 8 programs, 6+ temperatures
- Rinse Aid/salt indicator
- Child lock option
- Half load option (with 3 modes) (lower basket/upper basket/half load on both baskets)
- Display (remaining time, delay timer)
- 3 in 1 tablet detergent option
- Delay timer (1...24hr)
- Washing cycle indicators
- 9 lt water consumption
- Extra silent option
- Extra fast option
- Energy save option
- Auto door open option
- Overflow and leakage protection
- Heater Protection
- Dimensions (WxDxH): 59.6x57.3x82 cm
- Inox cladding

Available Structures

A+++46 dB(A) (12ps), 44(15ps) dB(A)

Color Options

White, Black, Dark Silver

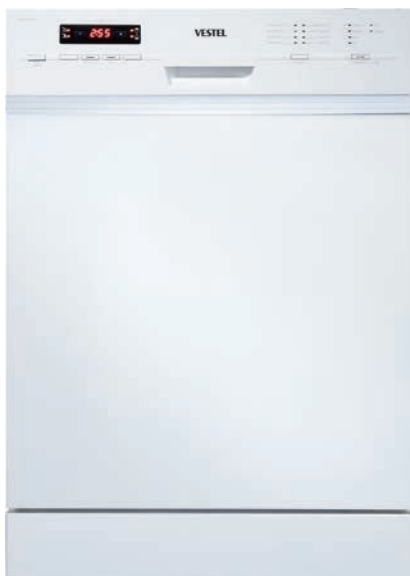


Amaranth



Semi-Integrated

Amaranth



ST21

Standard Features

- 12/15 place settings
- 8+ programs , 5+ temperatures
- Rinse aid / salt indicator
- Child lock option
- Half Load Option (with 3 modes)
(lower Pasket / Upper Pasket /
Half load on both baskets)
- Display (Remaining time, delay timer)
- Extra hygiene option
- 3 in 1 tablet detergent button option
- Extra dry and rinse options
- Delay timer (1 ...24hr)
- Washing cycle indicators
- 9 lt water consumption
- Overflow and leakage protection
- Heater Protection
- Dimensions (WxDxH): 59.6x57.3x82 cm
- White cabinet

Available Structures

A++ AA, 54/52/49/47/45 dB(A)

Color Options

White, Black, Dark Silver



ST13

Standard Features

- 12 place settings
- 6 programs, 3 temperatures
- Rinse aid / salt indicator
- Half Load Option (with one mode)
- Child lock option
- Display (Remaining time, delay timer)
- Extra hygiene option
- 3 in 1 tablet detergent button option
- Delay timer (1 ...24hr)
- Washing cycle indicators
- 12 lt water consumption
- Overflow and leakage protection
- Heater Protection
- Dimensions (WxDxH): 59.6x57.3x82 cm
- White cabinet

Available Structures

A+ AA, 57/54/52/49/47/45 dB(A)

Color Options

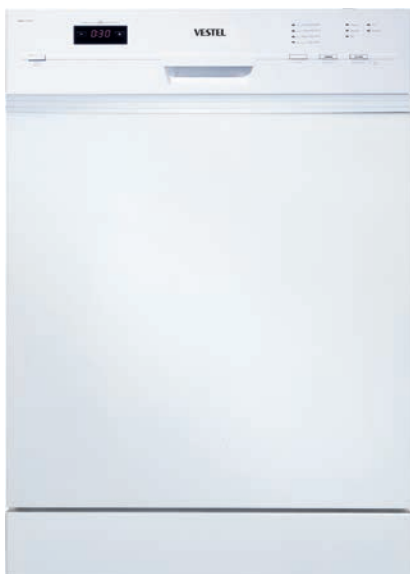
White, Black, Dark Silver

Amaranth



Amaranth

ST12

**Standard Features**

12 place settings
 4 programs, 3 temperatures
 Rinse aid / salt indicator
 Half Load Option (with one mode)
 Child lock option
 Display (Remaining time, delay timer)
 Delay timer (1 ...24hr)
 Washing cycle indicators
 12 lt water consumption
 Overflow and leakage protection
 Heater Protection
 Dimensions (WxDxH): 59.6x57.3x82 cm
 White cabinet

Available Structures

A+ AA, 57/54/52/49/47/45 dB(A)

Color Options

White, Black, Dark Silver



ST11

Standard Features

12 place settings
 3 programs, 2 temperatures
 Rinse aid / salt indicator
 Child lock option
 Washing cycle indicators
 Half Load Option (with one mode)
 12 lt water consumption
 Overflow and leakage protection
 Heater Protection
 Dimensions (WxDxH): 59.6x57.3x82 cm
 White cabinet

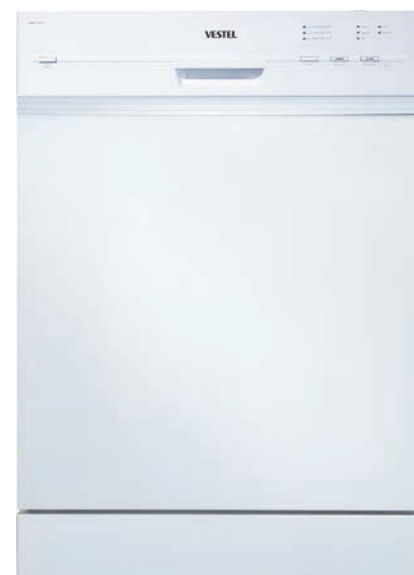
Available Structures

A+ AA, 57/54/52/49/47/45 dB(A)

Color Options

White, Black, Dark Silver

Amaranth



Fully-Integrated

Rhea



D4

Standard Features

- 12/15 (op.) place settings
- 9+ programs (including auto programs)
- Half load option (lower basket / upper basket / half load on both baskets)
- Rinse aid / Salt indicator
- 3 in 1 tablet detergent button
- Prewash button
- Delay timer (1...19 hr)
- Audible signal (buzzer) at the end of the program
- End of cycle indicator
- 9 lt water consumption
- Overflow and leakage protection
- Heater protection
- Dimensions (WxDxH): 59.6x55x82 cm
- White cabinet

Available Structures

A+ AA, 54/52/49/47/45 dB(A)

Color Options

White, Black, Dark Silver



D2

Standard Features

- 12 place settings
- 5 programs, 4 temperatures
- Rinse aid / Salt indicator
- Delay timer (3-6-9 hr)
- End of cycle indicator
- Audible signal (buzzer) at the end of the program
- 12 lt water consumption
- Overflow and leakage protection
- Heater protection
- Dimensions (WxDxH): 59.6x55x82 cm
- White cabinet

Available Structures

A+ AA, 57/54/52/49/47/45 dB(A)

Color Options

White, Black, Dark Silver

Rhea



Rhea



D1

Standard Features

- 12 place settings
- 4 programs, 2 temperatures
- Rinse aid / Salt indicator
- End of cycle indicator
- Audible signal (buzzer) at the end of the program
- 12 lt water consumption
- Overflow and leakage protection
- Heater protection
- Dimensions (WxDxH): 59.6x55x82 cm
- White cabinet

Available Structures

A+ AA, 57/54/52/49/47/45 dB(A)

Color Options

White, Black, Dark Silver



D4

Standard Features

- 12/15 (op.) place settings
- 9+ programs (including auto programs)
- Half load option (lower basket / upper basket / half load on both baskets)
- Rinse aid / Salt indicator
- 3 in 1 tablet detergent button
- Prewash button
- Delay timer (1...19 hr)
- End of cycle indicator
- Audible signal (buzzer) at the end of the program
- 9 lt water consumption
- Overflow and leakage protection
- Heater protection
- Dimensions (WxDxH): 59.6x55x82 cm
- White cabinet

Available Structures

A++ AA, 54/52/49/47/45 dB(A)

Color Options

White, Black, Dark Silver

Astrum



Fully-Integrated

Freya



D51

Standard Features

- 12 Place settings
- 6 Programs, 4 temperatures
- Rinse Aid/salt indicator
- Audible signal at the end of the program
- Touch control system
- Delay timer option (1-24hr)
- Tablet option
- Half load option (with one mode)
- DISPLAY (delay start (19hrs), remaining time)
- 12 lt water consumption
- Overflow and leakage protection
- Heater protection
- Dimensions (WXHxD):59.6x55x82 cm
- White cabinet

Available Structures

A+ AA, 57/54/52/49/47/45 dB(A)

Color Options

Black



D52

Standard Features

- 12/15 Place settings
- 8+ Programs, 5+ temperatures
- Rinse Aid/salt indicator
- Audible signal at the end of the program
- Touch control system
- Delay timer option (1-24hr)
- Tablet option
- Half load option (with 3 modes)
- Extra rinse option
- DISPLAY (delay start (19hrs) , remaining time)
- 9 lt water consumption
- Overflow and leakage protection
- Heater protection
- Dimensions (WXHxD):59.6x55x82 cm
- White cabinet

Available Structures

A**AA, 57/54/52/49/47/45 dB(A)

Color Options

Black



Freya



Freya

D53



Standard Features

- 15 Place settings
- 8+ Programs, 5+ temperatures
- Rinse Aid/salt indicator
- Audible signal at the end of the program
- Touch control system
- Delay timer option (1-24hr)
- Tablet option
- Half load option (with 3 modes)
- Extra Silent option
- Extra Fast option
- Energy Save button
- DISPLAY (delay start (19hrs) , remaining time)
- 9 lt water consumption
- Overflow and leakage protection
- Heater protection
- Dimensions (WXHxD):59.6x55x82 cm
- White cabinet

Available Structures

A+++ 44 dB(A)

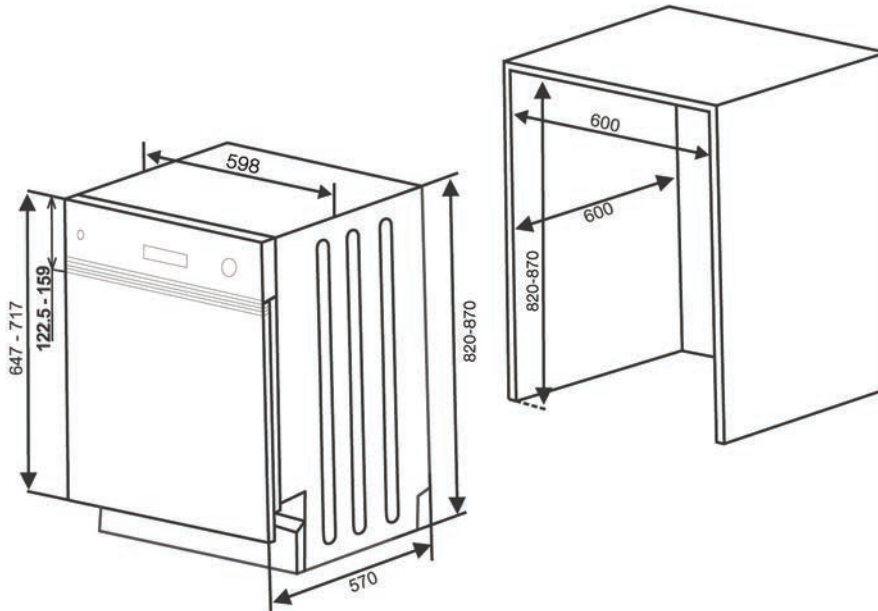
Color Options

Black

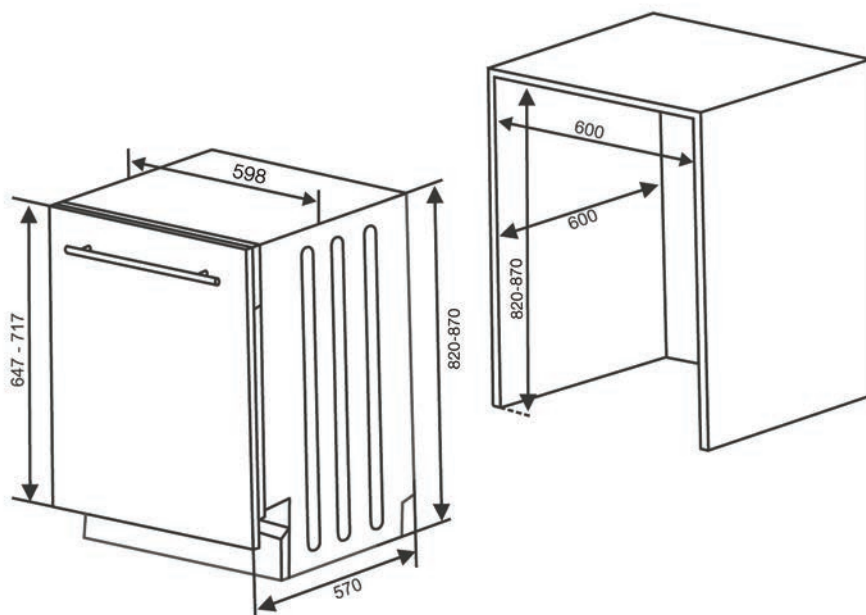


Installations

Semi-Integrated



Fully-Integrated





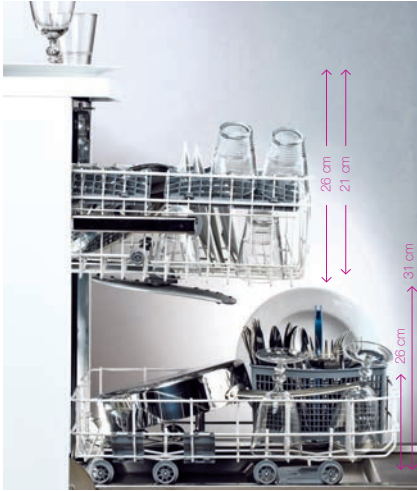
45 cm Dishwashers

Semi-Integrated

A+++/A++/A+AA Class

Top class rating for "Energy Consumption", "Washing Performance", "Drying Performance". The minimum energy & washing performance are A class for all model range

Maximum Plate Diameter



Standard Cutlery Basket



Adjustable Upper Basket



Adjustable only when empty

Lower Basket - 10 place Settings



Adjustable Basket



Adjustable only when loaded

Programs

SLIM 45cm Semi Integrated Models	C13	C15	T14	T15	T21	T22	T24
Programs							
Prewash	Yes	Yes	Yes	Yes	Yes	Yes	Yes
Eco 50°C	Yes	Yes	Yes	Yes	Yes	Yes	Yes
Intensive 65°C	Yes	Yes	Yes	Yes	No	No	No
Quick 30' 40°C	No	Yes	Yes	Yes	Yes	Yes	Yes
Super 50' 65 °C	Yes	Yes	Yes	Yes	Yes	Yes	Yes
Delicate 40°C	No	No	Yes	Yes	No	No	No
Normal 55°C	No	No	No	No	No	No	No
Auto delicate 30-50	No	No	No	No	Yes	Yes	Yes
Auto normal 50-60	No	No	No	No	Yes	Yes	No
Auto intensive 60-70	No	No	No	No	Yes	Yes	No
Hygiene 60°C	No	No	No	No	No	No	No
Hygiene 70°C	No	Yes	Yes	Yes	Yes	Yes	Yes
Extra Intensive 70°C (Prewash+intensive 65°C)	No	No	No	No	No	No	No
Dual Pro Wash 60°C	No	No	No	No	No	No	Yes
Auto intensive 50-70	No	No	No	No	No	No	Yes

SLIM 45cm Fully Integrated Models	D12	D22	D32	D42
Programs				
Prewash	Yes	Yes	Yes	Yes
Eco 50°C	Yes	Yes	Yes	Yes
Intensive 65°C	Yes	Yes	Yes	No
Quick 30' 40°C	No	Yes	Yes	Yes
Super 50' 65 °C	No	Yes	Yes	Yes
Delicate 40°C	No	No	Yes	No
Normal 55°C	No	No	No	No
Daily 60°C	No	No	Yes	No
Auto delicate 30-50	No	No	No	Yes
Auto normal 50-60	No	No	No	Yes
Auto intensive 60-70	No	No	No	Yes
Hygiene 60°C	No	No	No	No
Extra Hygiene 70°C	No	Yes	Yes	Yes

Semi - Integrated Panel Versions

ST14: 7 programs, washing cycle indicators, delay timer option (1-24 hours), half load option (1 mode) extra rinse option, tablet option, child lock option, salt&rinse aid indicators

ST15: 7 programs, washing cycle indicators, delay timer option (3,6,9 hours), salt&rinse aid indicators

ST21: 8 programs, washing cycle indicators, delay timer option (1-24 hours), half load option (3 modes) extra rinse option, extra dry option, tablet option, child lock option, salt&rinse aid indicators

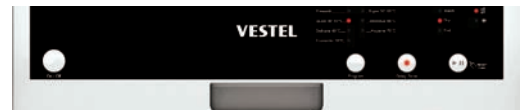
ST22: 8 programs, washing cycle indicators, delay timer option (1-24 hours), half load option (3 modes), extra rinse option, extra dry option, tablet option, child lock option, salt&rinse aid indicators, turbo drying

ST24: 8 programs, washing cycle indicators, delay timer option (1-24 hours), half load option (3 modes), extra silent option, extra fast option, energy save option, child lock option, salt&rinse aid indicators, turbo drying

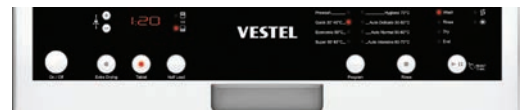
ST14



ST15



ST21 - ST22 - ST24



C Series Panel Versions

SC13: 4 programs, rinse aid / salt indicator, Washing cycle indicators

SC15: 6 programs, rinse aid / salt indicator, half load option (with one mode) Washing cycle indicators

SC15 (With Display): 6 programs, rinse aid / salt indicator, half load option (with one mode) Washing cycle indicators, Display (Remaining tim, Delay Time), Child lock option



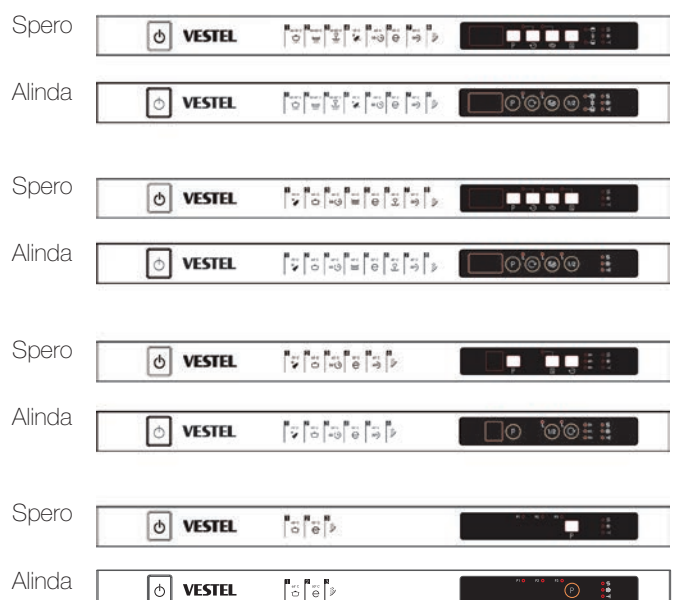
Fully - Integrated Panel Versions

D42: 8 programs ,6+ temperatures, Delay timer option (1-19 hours), Half load option (3 modes), Tablet detergent button, salt & rinse aid indicators , End of cycle indicator. Audible signal (buzzer) at the end of the program

D32: 8 programs ,5 temperatures, Delay timer option (1-19 hours), Half load option (1 mode), Tablet detergent button, salt & rinse aid indicators, End of cycle indicator. Audible signal (buzzer) at the end of the program

D22: 6 programs, 4 temperatures .Delay timer option (3-6-9 hours), Half load option (1 mode), salt & rinse aid indicators, End of cycle indicator. Audible signal (buzzer) at the end of the program

D12: 3 programs, 2 temperatures, salt & rinse aid indicators, End of cycle indicator. Audible signal (buzzer) at the end of the program



3rd Rack

Upper Cutlery Basket (3rd Rack)

The upper cutlery basket is designed to place forks, spoons and knives, long dippers and small items. You can take out the dishes along with the 3rd rack after washing. The Upper Cutlery Basket is composed of two pieces; You can take out left or right part of the upper cutlery basket to obtain more space for the dishes in the upper basket.

*Cutlery plastic basket is optional.



Easy Tray



Vento



ST24

Standard Features

- 10 place settings
- Thirth basket
- 8 programs, 6+ temperatures
- Delay timer option (1-24 hours)
- Half load option (3 modes)
- Extra silent option
- Extra fast option
- Energy save option
- Washing cycle indicators
- Child lock option
- Salt & Rinse aid indicators
- 9lt water consumption
- Overflow and leakage protection
- Heater protection
- Turbo drying
- Dimensions (WxDxH): 44.8 x 57.0 x 82

Available Structures

A+++AA 44 dB(A)

Color Options

White, Black, Dark Silver



ST22

Standard Features

- 10 place settings
- Thirth basket (optional)
- 8 programs, 6+ temperatures
- Delay timer option (1-24 hours)
- Half load option (3 modes)
- Extra rinse option
- Extra dry option
- Tablet option
- Washing cycle indicators
- Child lock option
- Salt & Rinse aid indicators
- 9lt water consumption
- Overflow and leakage protection
- Heater protection
- Turbo drying
- Dimensions (WxDxH): 44.8 x 57.0 x 82

Available Structures

A++AA 49/47/45 dB(A)

Color Options

White, Black, Dark Silver



Vento



Semi-Integrated

Vento



ST21

Standard Features

- 10 place settings
- 8 programs, 6+ temperatures
- Delay timer option (1-24 hours)
- Half load option (3 modes)
- Extra rinse option
- Extra dry option
- Tablet option
- Washing cycle indicators
- Child lock option
- Salt & Rinse aid indicators
- 9lt water consumption
- Overflow and leakage protection
- Heater protection
- Dimensions (WxDxH): 44.8 x 57.0 x 82

Available Structures

A+ AA 54/52/49/47/45 dB(A)

Color Options

White, Black, Dark Silver



ST15

Standard Features

- 10 place settings
- 7 programs,
- 4 temperatures
- Delay timer option (3-6-9 hours)
- Washing cycle indicators
- Salt & Rinse aid indicators
- 13 lt water consumption
- Overflow and leakage protection
- Heater protection
- Dimensions (WxDxH): 44.8 x 57.0 x 82

Available Structures

A+ AA 57/54/52/49/47/45 dB(A)

Color Options

White, Black, Dark Silver

Vento



Vento



ST14

Standard Features

10 place settings
 7 programs, 4 temperatures
 Delay timer option (1-24 hours)
 Half load option (1 mode)
 Extra rinse option
 Tablet option
 Washing cycle indicators
 Child lock option
 Salt & rinse aid indicators
 13 lt water consumption
 Overflow and leakage protection
 Heater protection
 Dimensions (WxDxH): 44.8 x 57.0 x 82

Available Structures

A+ AA 57/54/52/49/47/45 dB(A)

Color Options

White, Black, Dark Silver



SC 15

Standard Features

10 place settings
 6 programs, 4 temperatures
 Half load option (with one mode)
 Washing cycle indicators
 Salt & Rinse aid indicators
 13 lt water consumption
 Overflow and leakage protection
 Heater protection
 Dimensions (WxDxH): 44.8 x 57.0 x 82

C15 version with Display (optional)

Extra Features with Display
 Display (Remaining time, Delay timer)
 Child lock option



Available Structures

A+ AA 57/54/52/49/47/45 dB(A)

Color Options

White, Black, Dark Silver

Orchis



Semi-Integrated

Orchis



SC13

Standard Features

- 10 place settings
- 4 programs, 2 temperatures
- Washing cycle indicators
- Salt & Rinse aid indicators
- 13 lt water consumption
- Overflow and leakage protection
- Heater protection
- Dimensions (WxDxH): 44.8 x 57.0 x 82

Available Structures

A+ AA 57/54/52/49/47/45 dB(A)

Color Options

White, Black, Dark Silver



Alinda

D42



Standard Features

- 10 place settings
- 8 programs ,6+ temperatures
- Delay timer option (1-19 hours)
- Half load option (3 modes)
- Tablet detergent button
- Salt&rinse aid indicators
- End of cycle indicator
- Audible signal (buzzer) at the end of the program
- 12lt water consumption
- Overflow and leakage protection
- Heater protection
- Dimensions (WxDxH): 44.8 x 54.8 x 82

Available Structures

A+ AA 54/52/49/47/45 dB(A)



D32

Spero

Standard Features

- 10 place settings
- 8 programs, 5 temperatures
- Delay timer option (1-19 hours)
- Half load option (1 mode)
- Tablet detergent button
- Salt&rinse aid indicators
- End of cycle indicator
- Audible signal (buzzer) at the end of the program
- 13 lt water consumption
- Overflow and leakage protection
- Heater protection
- Dimensions (WxDxH): 44.8 x 54.8 x 82

Available Structures

A+ AA 57/54/52/49/47/45 dB(A)



Fully-Integrated

Spero



D22

Standard Features

- 10 place settings
- 6 programs, 4 temperatures
- Delay timer option (3-6-9 hours)
- Half load option (1 mode)
- Salt&rinse aid indicators
- End of cycle indicator
- Audible signal (buzzer) at the end of the program
- 13 lt water consumption
- Overflow and leakage protection
- Heater protection
- Dimensions (WxDxH): 44.8 x 54.8 x 82

Available Structures

A+ AA 57/54/52/49/47/45 dB(A)



D12

Standard Features

- 10 place settings
- 3 programs, 2 temperatures
- Salt&rinse aid indicators
- End of cycle indicator
- Audible signal (buzzer) at the end of the program
- 13lt water consumption
- Overflow and leakage protection
- Heater protection
- Dimensions (WxDxH): 44.8 x 54.8 x 82

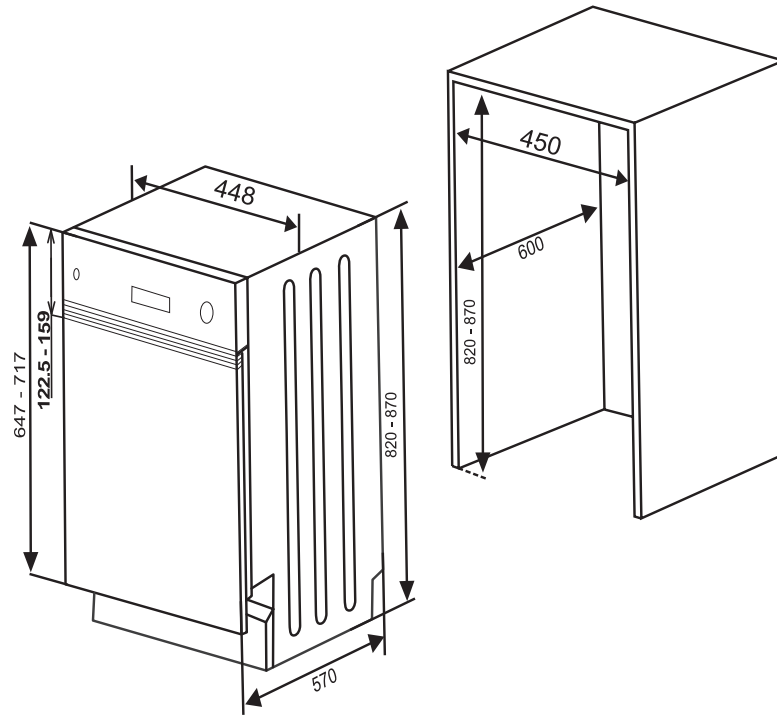
Available Structures

A+ AA 57/54/52/49/47/45 dB(A)

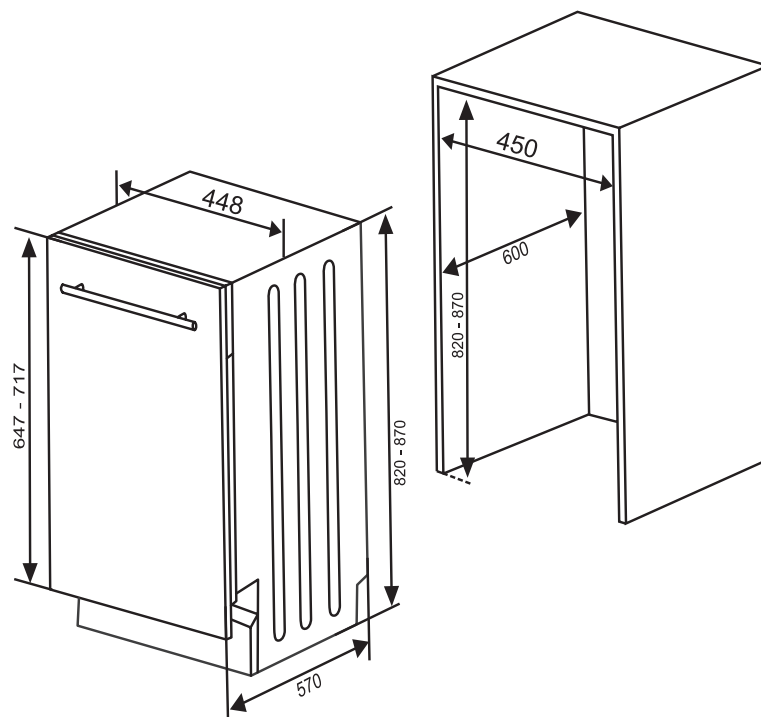
Spero



Semi-Integrated



Fully-Integrated





Ovens

Built-in Ovens	
Size [cm]	60/65/75LT
Oven	Electric
Hob Control	Yes / No
Cooling System	Yes / No
Self Clean (Pyro)	Yes / No

Built-in Hobs													
Size [cm]	60						70			78		90	
Hob	Gas	Mixed	Gas on Glass	Hotplate	Radiant	Induction	Gas	Mixed	Gas on Glass	Radiant	Induction	Gas	Induction
Control	Side Knob Front Knob	Side Knob Front Knob	Side Knob Front Knob	Side Knob On Built-in Oven	Side Knob Side Touch Front Touch On Built-in Oven	Front Touch On Built-in Oven	Front Knob	Front Knob	Front Knob	Front Touch	Front Touch	Front Knob	Front Touch

Domino Hobs					
Size [cm]	30				
Hob	Gas	Gas on Glass	Hotplate	Radiant	Induction
Control	Front Knob	Front Knob	Front Knob	Front Knob Front Touch	Front Touch

Freestanding Hobs				
Size [cm]	60			
Hob	Gas	Gas on Glass	Mixed	Hotplate
Control	Side Knob	Front Knob	Side Knob	Side Knob

Ready Cook

Product / Accessory Description



Ready Cook is a new TFT interface with click type knob control for built in ovens.

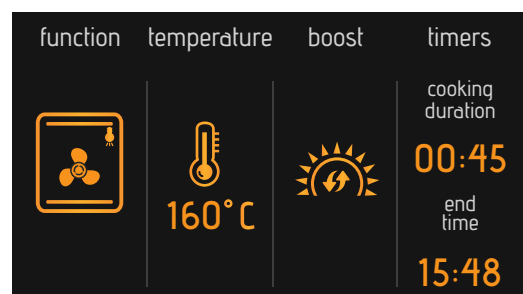
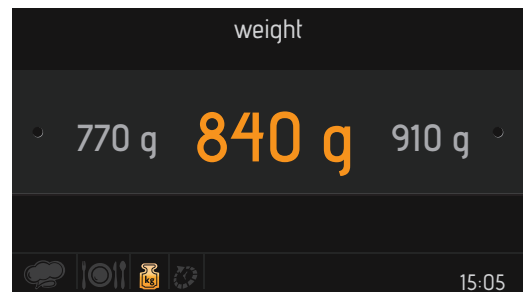
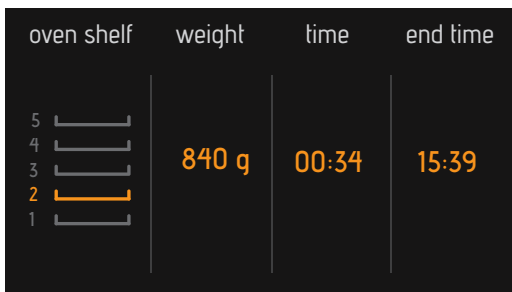
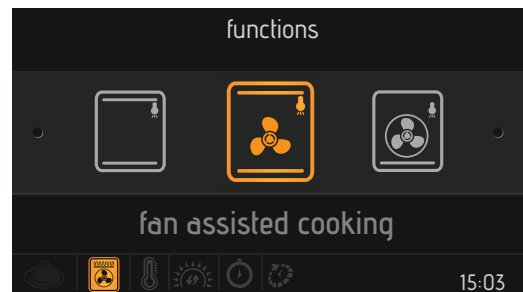
We're very pleased to bring the color and clarity of TFT displays to a broader range of major home appliances with Vestel's Ready Cook, along with other advanced features previously available only in more high-end oven models.

Ready Cook is designed to help users cook professional recipes easily with auto cooking functions, also allowing the users to implement their own recipes with manual cooking functions. Using a user friendly with the colored TFT display creates the charm of Ready Cook compared to the existing models in the high-end segment.





Features

- 4.3" TFT LCD Display
- Auto Cooking mode with 150 recipes
- Manual Cooking mode
- Favorites with 10 recipe slots which can be set by end user
- Vap Clean function
- Multi language support
- Real time clock and date adjustment
- 5 levels of display brightness
- 3 levels of buzzer tone
- 10 language option
- A+ energy efficiency,
- A++ energy efficiency will be promoted in second half of 2015.



frozen foods



 15:05

special functions



 15:05


fusion kitchen




 15:05


meat




 15:05


bread and pastry



 15:05

sea food



 15:05

baked dishes




 15:05


poultry




 15:05


desserts




 15:05


cakes and cookies




 15:05


pizza and tarts



 15:05

bread and pastry



 15:05

Cleaning Functions

VapClean® Function



With VapClean®, function, dried food stains inside the oven cavity is softened with vapor.

To perform VapClean®, a glass of water is poured into the small tray which will be placed at the bottom of the oven. After that, VapClean® function is activated to create vapor inside oven cavity which will soften dried food stains.



Pyrolysis Function



During the pyrolytic cleaning process, the oven heats up to approximately 480°C at which the temperature is kept for 1 hour while the door is locked for safety purposes.

At this temperature, residues from roasting, grilling and baking are reduced to a thin layer of ash that can simply be wiped away with a damp cloth.





TYPE 1
Small Glass Oven Door



TYPE 2
Large Glass Oven Door



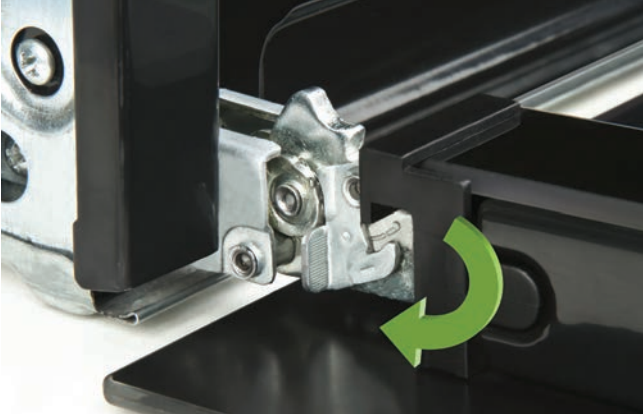
TYPE 3
Pyrolytic Oven Door



TYPE 4
Full Glass Oven Door



Door Features



Easy To Remove Oven Door (For Full Inner Glass Over Door)



Easy To Remove Oven Door



Removable Inner Glass



Door Switch



Soft Close



Child Lock



I Type Add On 17 mm



I Type Add On 50 mm



I Type Add On 65 mm



U Type Add On 17 mm



U Type Add On 50 mm



Add-on Types



U Type Add On 65 mm



O Type Add On 50 mm



O Type Add On 85 mm



Mono Stripe Add On 17 mm



Mono Stripe Add On 50 mm





Mono Stripe Add On 80 mm



Duo Stripe Add On



Trio Stripe Add On



Corner Add On



Visio Touch Add On



Visio Display Add On



Smart LCD Add On

Add-on Types for 75 Lt Built-In Ovens



I Type Add On 40 mm



U Type Add On 17 mm



U Type Add On 40 mm



O Type Add On 40 mm



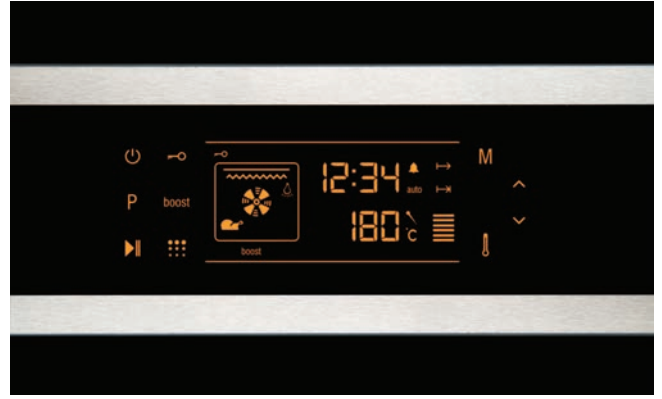
Mono Stripe Add On 50 mm



Duo Stripe Add On 50 mm



Smart LCD Control Panel



Led Full Touch Control Panel



Visio Touch Control Panel



Visio Display Control Panel



Digital Touch Timer



Digital Touch Timer For Metal Control Panel

Control Panel Types



Analog Timer



Pyrolytic Digital Programmer



Digital Full Programmer



Digital Clock & Minute Minder



Mechanical Timer



Mechanical Minute Minder



Enamel Mold Runners



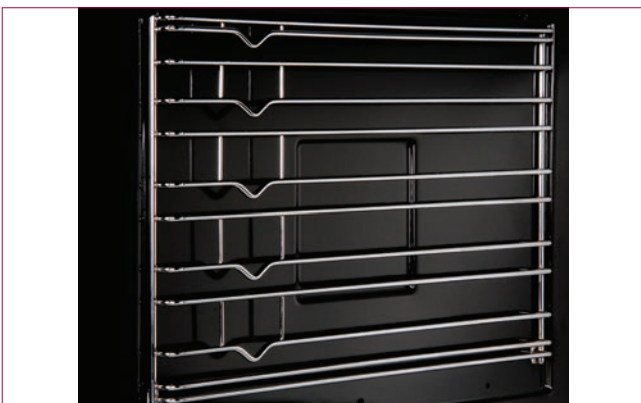
Enamel Cavity With Mold Runners



Catalytic Enamel Side Panels



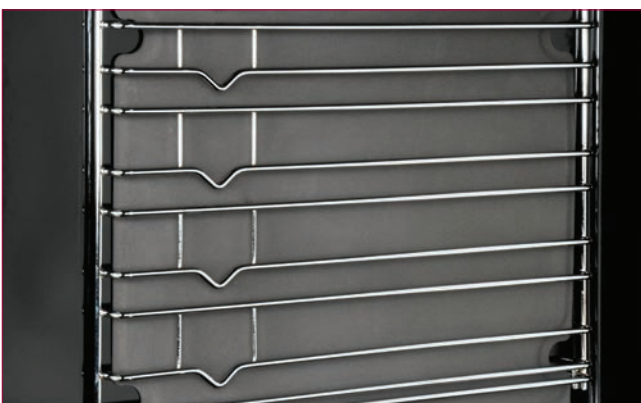
Catalytic Enamel Side And Rear Panels



Wire Racks In Enamel Cavity



Wire Racks In Enamel Cavity



Wire Racks In Catalytic Enamel Cavity

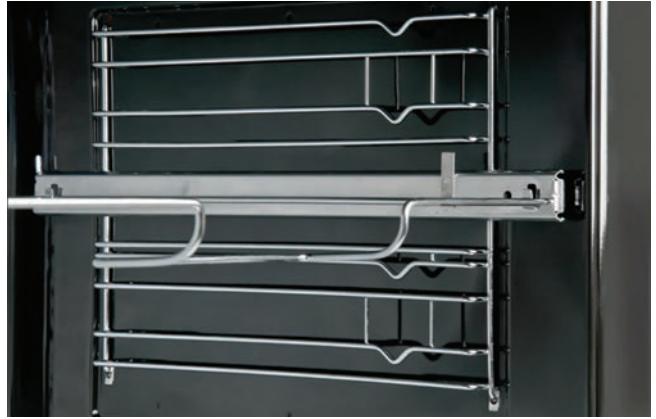


Catalytic Enamel Side And Rear Panels With Wire Racks

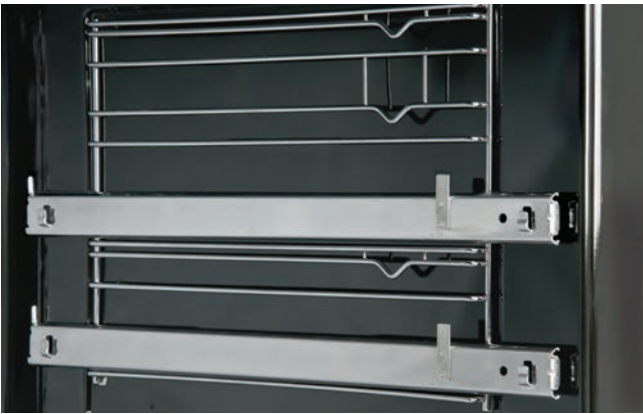
Telescopic Shelf Types



Single Telescopic Shelf



Single Telescopic Shelf With Stabilizer



Double Telescopic Shelves



Double Telescopic Shelves With Stabilizer



Full Extension Telescopic Shelf



Double Full Extension Telescopic Shelves



Telescopic



Full Extension Telescopic



Oven Lamp



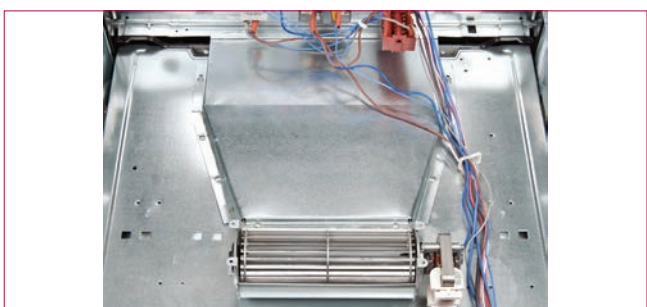
Side Lighting



Electric Grill



Fan With The Ring Heater



Cooling Fan



Pyrolytic Enamel



Push Pull Illuminated Knobs



Serigraphy On Knob Ring



Metal Knobs



Mirror Glass

Knob Types



Alfa



Antero



Big Antero



Delta Ring



Delta



Eclipse Ring



Eclipse



Gama Ring



Gama



Nord Ring



Nord



Omega



Epsilon



Rimo



Big Rimo



Big Macro



Big Macro Ring



Small Macro



Small Macro With Ring



Pipo



Jannu



Jannu Ring



Spectrum



Vesta



Trio



Big Trio



Vario



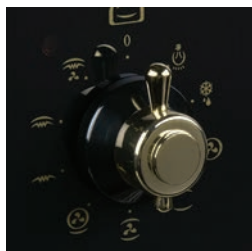
Vario Ring



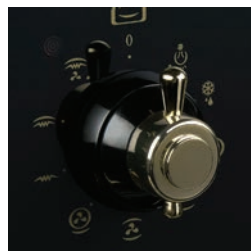
Zeta



Zeta Ring



Rustic Risus



Rustic Risus With Ring



Sigma



Zenith



Feros

Handle Types



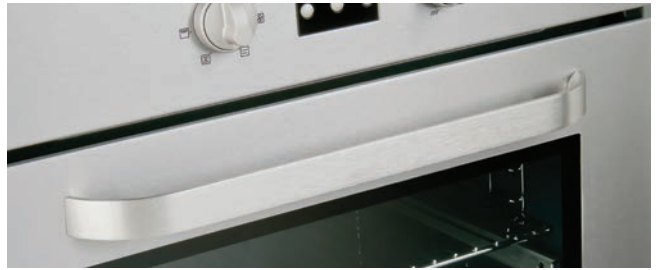
3D Quadrangle



Arc Quadrangle



Arc Tube



Bow



Curved Quadrangle



Cylinder



D Profile Arc



Ellipse Arc



Flat Quadrangle



Flat Slice



Metalux



Risus



Trio



Troy



Vero



Without Cooling Fan Type

Accessories



Shallow Tray



Deep Tray



80 mm Deep Tray



Glass Tray



Round Tray and Grid Set



Grill Pan Set With Handle



Chrome Wire Grid



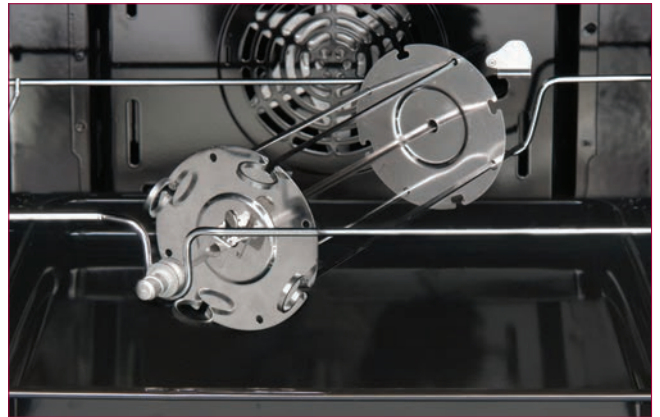
Chrome Wire Grid For Deep Tray



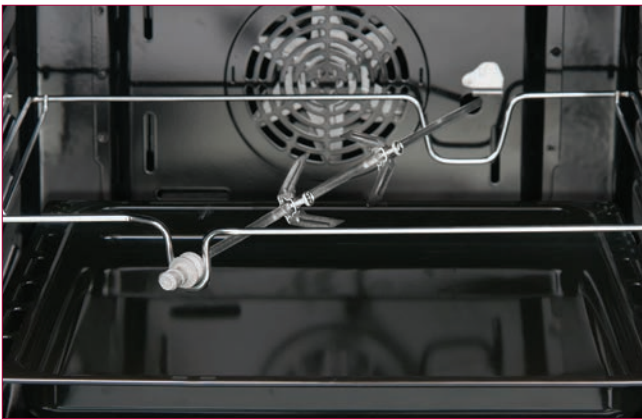
Oil Filter



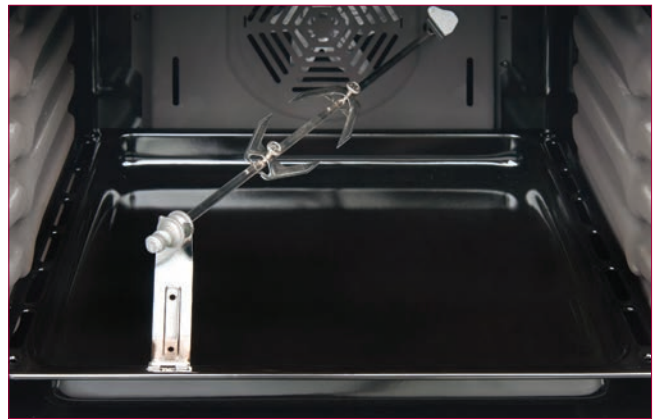
Meat Probe



Multi Purpose Rotisserie



Turnspit Set With Wire Shelf Support



Turnspit Set With Metal Bracket Support

General Specifications

60cm BUILT-IN OVEN SPECIFICATION SHEET	60cm ELECTRIC BUILT-IN OVEN	60cm PYROLYTIC BUILT-IN OVEN	60cm ELECTRIC POLYVALENTE BUILT-IN OVEN
Available Colours			
White	Standard	Standard	Standard
Black	Optional	Optional	Optional
Brown	Optional	Optional	Optional
Terra De France	Optional	Optional	Optional
Dark Green	Optional	Optional	Optional
Silver	Optional	Optional	Optional
Inox Painted	Optional	Optional	Optional
Stainless Steel	Optional	Optional	Optional
Control Panel			
Metal	Standard	Standard	Standard
Glass	Optional	Optional	Optional
Various Types of Inox Add-on on Glass Control Panel	Optional	Optional	Optional
Oven Features			
Easy to Clean Enamel	Standard	-	Standard
Catalytic Enamel Panels (Left, right and rear)	Optional	-	Optional
Pyrolytic Enamel	-	Standard	-
Wire Side Racks	Optional	Optional	Optional
Telescopic Rails (1 or 2 racks)	Optional	Optional	Optional
Top Heating Element	Standard	Standard	Standard
Bottom Heating Element	Standard	Standard	Standard
Thermostat	Standard	Electronic	Standard
Grill (Thermostatic)	Optional	Optional	Optional
Double Grill (Thermostatic)	Optional	Optional	Optional
Fan	Optional	Optional	Optional
Fan with Ring Heating Element	Optional	Optional	Optional
Automatic Boost Function	Optional	Optional	Optional
Turnspit	Optional	Optional	Optional
Thermostat Operation Indicator Light	Standard	Standard	Standard
Oven Operation Indicator Light	Standard	-	Standard
Hotplate Operation Indicator Light (in case of combi oven)	-	-	Standard
Oven Door Switch	Optional	Standard	Optional
Oven Door lock indicator light	-	Standard	-
Minute Minder	Optional	-	Optional
Mechanical Timer	Optional	-	Optional
Analog Timer	Optional	-	Optional
Digital Clock	Optional	-	Optional
Digital Programmer	Optional	Standard (3 button)	Optional (Standard and only for induction models)
Digital Programmer with touch interface	Optional	-	Optional
Full Touch LED Display	Optional	Optional	Optional
Knob Control LED Display and Touch Interface (Visio Touch)	Optional	Optional	Optional
Knob Control LED Display (Visio Display)	Optional	-	-
Smart LCD (Ready Cook)	Optional	-	-
Oven Door			
Full outer glass and small inner glass with metal frame (4 glasses)	-	Standard	-
Full outer glass and Inner metal door (small glass) Oven Door	Standard	-	Standard
Full outer glass and full inner glass Oven Door	Optional	-	Optional
Cool touch Oven door	Optional	-	Optional
Flotal Oven Door Glass	Optional	-	Optional
Removable Oven Door	Standard	Standard	Standard
Various Types of Inox Add-on on Oven Door Glass	Optional	Optional	Optional
Child Lock on Oven Door	Optional	Standard (Electromechanic)	Optional
Accessories			
Oven Light (25W)	Optional	Standard	Optional
Oil Filter	Optional	Optional	Optional
Meat Probe	Optional	-	Optional
Baking Tray (Shallow Tray)	Optional	1	Optional
Roasting Tray (Deep Tray)	1	Optional	1
Glass Tray	Optional	Optional	Optional
Chromed Grid with Stoper	1	1	1
Wire grid for deep tray	Optional	Optional	Optional
Broil Pan with Handle Set	Optional	Optional	Optional
Multi Purpose Rotisserie	Optional	Optional	Optional
Turnspit	Optional	Optional	Optional
Packaging			
Shrink Packaging	Optional	Optional	-
Carton Box Packaging	Optional	Optional	Standard

60cm BUILT-IN OVEN SPECIFICATION SHEET	60cm ELECTRIC BUILT-IN OVEN (75 L)	60cm ELECTRIC POLYVALENTE BUILT-IN OVEN (75 L)
Available Colours		
White	Standard	Standard
Black	Optional	Optional
Brown	Optional	Optional
Terra De France	Optional	Optional
Dark Green	Optional	Optional
Silver	Optional	Optional
Inox Painted	Optional	Optional
Stainless Steel	Optional	Optional
Control Panel		
Metal	Standard	Standard
Glass	Optional	Optional
Various Types of Inox Add-on on Glass Control Panel	Optional	Optional
Oven Features		
Easy to Clean Enamel	Standard	Standard
Catalytic Enamel Panels (Left, right and rear)	Optional	Optional
Wire Side Racks	Optional	Optional
Telescopic Rails (1 or 2 racks)	Optional	Optional
Top Heating Element	Standard	Standard
Bottom Heating Element	Standard	Standard
Thermostat	Standard	Standard
Grill (Thermostatic)	Optional	Optional
Double Grill (Thermostatic)	Optional	Optional
Fan	Optional	Optional
Fan with Ring Heating Element	Optional	Optional
Automatic Boost Function	Optional	Optional
Turnspit	Optional	Optional
Thermostat Operation Indicator Light	Standard	Standard
Oven Operation Indicator Light	Standard	Standard
Hotplate Operation Indicator Light (in case of combi oven)	-	Standard
Minute Minder	Optional	Optional
Mechanical Timer	Optional	Optional
Digital Clock	Optional	Optional
Digital Programmer	Optional (Standard and only for induction models)	Optional (Standard and only for induction models)
Digital Programmer with touch interface	Optional	Optional
Knob Control LED Display and Touch Interface (Visio Touch)	Optional	N/A
Knob Control LED Display (Visio Display)	Optional	N/A
Smart LCD (Ready Cook)	Optional	N/A
Oven Door		
Full outer glass and full inner glass Oven Door	Standard	Standard
Cool touch Oven door	Optional	Optional
Flotal Oven Door Glass	Optional	Optional
Removable Oven Door	Standard	Standard
Various Types of Inox Add-on on Oven Door Glass	Optional	Optional
Accessories		
Oven Light (25W)	Standard	Standard
Oil Filter	Optional	Optional
Meat Probe	Optional	Optional
Baking Tray (Shallow Tray)	Optional	Optional
Roasting Tray (Deep Tray)	1	1
Glass Tray	Optional	Optional
Chromed Grid with Stoper	1	1
Wire grid for deep tray	Optional	Optional
Broil Pan with Handle Set	Optional	Optional
Multi Purpose Rotisserie	Optional	Optional
Turnspit	Optional	Optional
Packaging		
Shrink Packaging	Optional	-
Carton Box Packaging	Optional	Standard

75 Lt Single Ovens



BO.94 Ready Cook

- 60 cm single built-in electric oven
- 75 lt inner cavity
- Knob control slim lcd panel
- Inox knob
- Inox handle
- U- type slim laser-cut inox cladding on control panel
- U- type slim laser-cut inox cladding on oven door
- Wide visible area oven door

BO.95 Visio Touch

- 60 cm single built-in electric oven
- 75 lt inner cavity
- Visio controller with touch interface
- Amber colored display
- Inox pop-in pop-out knobs
- Inox handle
- Horizontal bold laser-cut inox cladding on oven door
- Wide visible area oven door



BO.96 Visio Touch

- 60 cm single built-in electric oven
- 75 lt inner cavity
- Visio controller with touch interface
- Amber colored display
- Inox pop-in pop-out knobs
- Inox handle
- White optical glass slim control panel
- White optical glass oven door
- Wide visible area oven door





BO.97

- 60 cm single built-in electric oven
- 75 lt inner cavity
- White knobs
- White handle
- White optical glass slim control panel
- White optical glass oven door
- Digital programmer with touch interface
- Wide visible area oven door

BO.98

- 60 cm single built-in electric oven
- 75 lt inner cavity
- Inox slim control panel
- Inox knob
- Inox handle
- Side vertical inox cladding on oven door
- Large display digital programmer
- Wide visible area oven door



BO.99

- 60 cm single built-in electric oven
- 75 lt inner cavity
- Inox pop-in pop-out knobs
- Inox handle
- O- type inox cladding on control panel
- O- type inox cladding on oven door
- Mechanical programmer
- Wide visible area oven door



Single Ovens



BO.85 Pyro

- 60 cm single built-in electric oven
- Pyrolytic Function
- VesteLed Touch control panel
- Inox handle
- U-type slim laser-cut inox cladding on control panel
- U-type slim laser-cut inox cladding on oven door
- Amber colored display

BO.84 Pyro

- 60 cm single built-in electric oven
- Pyrolytic Function
- Visio controller with touch interface
- Amber colored display
- Inox handle
- Horizontal bold laser-cut inox cladding on oven door
- Inox pop-in pop-out knobs



BO.67 Pyro

- 60 cm single built-in electric oven
- Pyrolytic Function
- VesteLed touch control panel
- Inox handle
- Horizontal slim laser-cut inox cladding on control panel
- Horizontal bold laser-cut inox cladding on oven door
- Amber colored display





BO.65 Pyro

- 60 cm single built-in electric oven
- Pyrolytic Function
- Inox knobs
- Inox handle
- Side vertical inox cladding on oven door and control panel
- Digital programmer

BO.89 Pyro

- 60 cm single built-in electric oven
- Pyrolytic Function
- Inox pop-in pop-out knobs
- Inox handle
- Stainless steel control panel
- Horizontal bold laser-cut inox cladding on oven door
- Digital programmer



BO.90 Pyro

- 60 cm single built-in electric oven
- Pyrolytic Function
- Digital progmmer
- White glass oven ddor and control panel



Single Ovens



BO.86 Ready Cook

- 60 cm single built-in electric oven
- Knob control LCD panel
- Inox knobs
- Inox handle
- U type inox cladding on control panel
- U type inox cladding on oven door

BO.87 Ready Cook

- 60 cm single built-in electric oven
- Knob control LCD panel
- Inox knobs
- Inox handle
- Mirror glass control panel and oven door
- Side vertical inox cladding on oven door and control panel



BO.88 Ready Cook

- 60 cm single built-in electric oven
- Knob control LCD panel
- Inox knobs
- Inox handle
- Black glass control panel and oven door





BO.66 Full Touch

- 60 cm single built-in electric oven
- VesteLed Touch control panel
- Inox handle
- Trio stripe laser-cut inox cladding on Control panel and oven door
- Amber colored display

BO.70 Full Touch

- 60 cm single built-in electric oven
- VesteLed Touch control panel
- Amber colored display
- Inox handle
- Side vertical inox cladding on oven door and control panel
- Wide visible area oven door



BO.75 Full Touch

- 60 cm single built-in electric oven
- Touch control panel
- Inox handle
- Horizontal slim laser-cut inox cladding on control panel
- Horizontal bold laser-cut inox cladding on oven door
- Amber colored display



Single Ovens



BO.77 Visio Touch

- 60 cm single built-in electric oven
- Visio controller with touch interface
- Amber colored display
- Amber colored illuminated pop-in pop-out knobs.
- Inox handle
- Horizontal slim laser-cut inox cladding on control panel
- Horizontal bold laser-cut inox cladding on oven door

BO.78 Visio Touch

- 60 cm single built-in electric oven
- Visio controller with touch interface
- Amber colored display
- Inox pop-in pop-out knobs
- Inox handle
- White optical glass control panel
- White optical glass oven door
- U type inox cladding on control panel
- U type inox cladding on oven door
- Wide visible area oven door



BO.83 Visio Touch

- 60 cm single built-in electric oven
- Visio controller with touch interface
- Amber colored display
- Inox pop-in pop-out knobs
- Inox handle
- Laser-cut visio inox cladding on control panel
- Horizontal slim and horizontal bold
- Laser-cut inox cladding on oven door





BO.81 Visio Display

- 60 cm single built-in electric oven
- Visio display
- Amber colored display
- Inox pop-in pop-out knobs
- Inox handle
- Laser cut visio inox cladding on control panel
- Laser cut U-type inox cladding on oven door

BO.92 Visio Display

- 60 cm single built-in electric oven
- Visio display
- Amber colored display
- Black pop-in pop-out knobs
- Black handle



BO.93 Visio Display

- 60 cm single built-in electric oven
- Visio display
- Amber colored display
- Inox pop-in pop-out knobs
- Inox handle
- White optical glass control panel
- White optical glass oven door



Single Ovens



BO.100

- 60 cm single built-in electric oven
- Digital programmer with touch interface
- Inox knobs
- Inox handle
- Side vertical laser-cut inox cladding on oven door and control panel
- Wide visible area oven door

BO.74

- 60 cm single built-in electric oven
- Amber colored illuminated pop-in pop-out knobs
- Inox handle
- U-type slim laser-cut inox cladding on control panel
- U-type slim laser-cut inox cladding on oven door
- Digital programmer



BO.05

- 60 cm single built-in electric oven
- Inox knobs
- Inox handle
- Black glass control panel
- U-type inox cladding on control panel
- U-type inox cladding on oven door
- Digital programmer





BO.60

- 60 cm single built-in electric oven
- Inox knobs
- Inox handle
- Black glass control panel
- Black glass oven door
- O-type special inox effect serigraphy on control panel
- O-type special inox effect serigraphy on oven door
- Digital programmer

BO.09

- 60 cm single built-in electric oven
- White knobs
- White handle
- Side vertical white painted serigraphy on oven door
- Glass control panel and oven door
- Mechanical programmer



BO.11

- 60 cm single built-in electric oven
- Silver knobs
- Inox handle
- Silver optical glass control panel
- Silver optical glass oven door
- Side vertical inox cladding on control panel
- Side vertical inox cladding on oven door
- Digital programmer

Single Ovens



BO.42

- 60 cm single built-in electric oven
- Inox knobs
- Inox handle
- Inox glass control panel
- Inox glass oven door
- Side vertical inox cladding on control panel
- U-type inox cladding on oven door
- Digital programmer

BO.13

- 60 cm single built-in electric oven
- Inox pop-in pop-out knobs
- Inox handle
- White optical glass control panel
- White optical glass oven door
- Side vertical inox cladding on control panel
- Side vertical inox cladding on oven door
- Digital programmer



BO.14

- 60 cm single built-in electric oven
- Inox knobs
- Inox handle
- O-type inox cladding on oven door
- Digital programmer





BO.39

- 60 cm single built-in electric oven
- Inox knob
- Inox handle
- Stainless steel control panel
- Mirror glass oven door

BO.82

- 60 cm single built-in electric oven
- Inox pop-in pop-out knobs
- Inox handle
- Corner type laser-cut inox cladding on control panel
- Horizontal bold laser-cut inox cladding on oven door
- Digital programmer



BO.15

- 60 cm single built-in electric oven
- Inox knobs
- Inox handle
- Inox control panel
- O-type inox cladding on oven door
- Mechanical programmer

Single Ovens



BO.17

- 60 cm single built-in electric oven
- Inox knobs
- Inox handle
- Horizontal bold laser-cut inox cladding on oven door
- Mechanical programmer

BO.18

- 60 cm single built-in electric oven
- Inox knobs
- Inox handle
- Inox control panel
- Black glass oven door



BO.36

- 60 cm single built-in electric oven without cooling fan
- Inox knobs
- Inox handle
- Inox control panel
- Black glass oven door
- Digital clock (not programmer)





BO.73

60 cm single built-in electric oven
Black knobs and handle
Special black hairline cladding on oven door
and control panel
On control panel and oven door
Digital programmer

BO.22

60 cm single built-in electric oven
Black knobs
Black handle
Silver glass control panel
Silver glass oven door
Digital programmer
Front face serigraphy application



BO.38

60 cm single built-in electric oven
Inox knobs
Inox handle
Inox glass control panel
Inox glass oven door
Digital programmer
Front face serigraphy application



Single Ovens



BO.24

- 60 cm single built-in electric oven
- Inox knobs
- Inox handle
- Black glass control panel
- Black glass oven door
- Digital clock (not programmer)

BO.37

- 60 cm single built-in electric oven
- Black knobs
- Black handle
- Black metal control panel
- Black glass oven door
- Digital clock (not programmer)



BO.25

- 60 cm single built-in electric oven
- Black knobs
- Black handle
- TDF optical glass control panel
- TDF optical glass oven door
- Mechanical programmer





BO.26

- 60 cm single built-in electric oven
- White knobs
- White handle
- White metal control panel
- White glass oven door
- Digital clock (not programmer)

BO.29

- 60 cm single built-in electric oven
- White knobs
- White handle
- White metal control panel
- White glass oven door
- Mechanical programmer

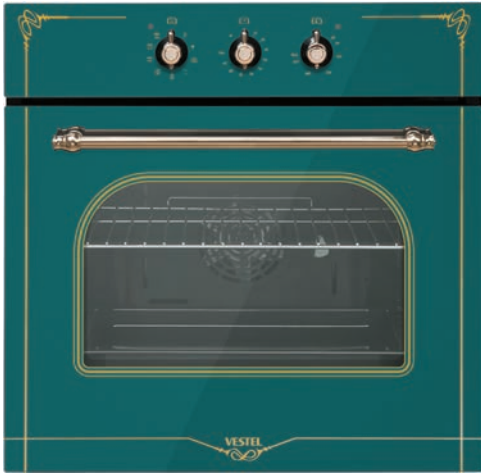


BO.30

- 60 cm single built-in electric oven
- White knobs
- White handle
- White metal control panel
- White glass oven door



Single Ovens



BO.44 Rustic

60 cm single built-in electric oven
Rustic style Risus knobs
Rustic style Risus handle
Type-C rustic design artwork
Green glass control panel and oven door
Mechanical programmer

BO.45 Rustic

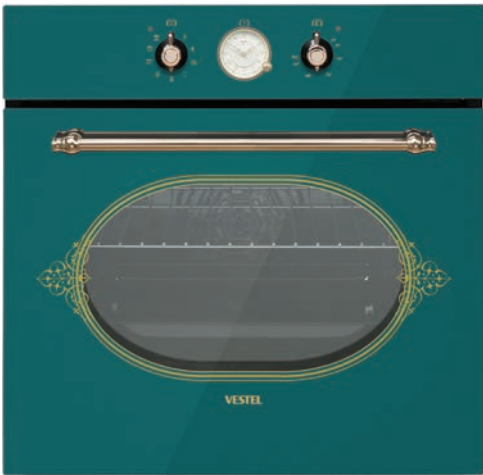
60 cm single built-in electric oven
Rustic style Risus knobs
Rustic style Risus handle
Type-B rustic design artwork
Black glass control panel and oven door
Analog timer



BO.46 Rustic

60 cm single built-in electric oven
Rustic style Risus knobs
Rustic style Risus handle
Type-B rustic design artwork
White optical glass control panel and oven door





BO.47 Rustic

60 cm single built-in electric oven
Rustic style Risus knobs
Rustic style Risus handle
Type-A rustic design artwork
Green glass control panel and oven door
Analog timer

BO.48 Rustic

60 cm single built-in electric oven
Rustic style Risus knobs
Rustic style Risus handle
Type-C rustic design artwork
Black glass control panel and oven door
Mechanical programmer



BO.50 Rustic

60 cm single built-in electric oven
Rustic style Risus knobs
Rustic style Risus handle
Type-C rustic design artwork
Sand colored optical glass control panel
and oven door
Mechanical programmer



75 lt Combi Ovens



BO.101 Combi

- 60 cm combi electric oven
- 75 l inner cavity
- Inox pop-in pop-out knobs
- Inox handle
- Black glass slim control panel
- Digital programmer with touch interface
- Wide visible area oven door

BO.102 Combi

- 60 cm combi electric oven
- 75 l inner cavity
- Inox pop-in pop-out knobs
- Inox handle
- Inox slim control panel
- Large display digital programmer
- Wide visible area oven door



BO.103 Combi

- 60 cm combi electric oven
- 75 l inner cavity
- Inox pop-in pop-out knobs
- Inox handle
- Inox slim control panel
- U- type inox cladding on oven door
- Mechanical programmer
- Wide visible area oven door





BO.91 Visio Touch Combi

- 60 cm combi electric oven
- Visio controller with touch interface
- Black glass control panel
- Inox pop-in pop-out knobs
- Inox handle
- Horizontal bold laser-cut inox cladding on oven door

BO.01 Combi

- 60 cm combi electric oven
- Inox pop-in pop-out knobs
- Inox handle
- Black glass control panel
- O-type inox cladding on control panel
- U-type inox cladding on oven door
- Digital programmer



BO.104 Combi

- 60 cm combi electric oven
- Digital programmer with touch interface
- Black glass control panel
- Inox knobs
- Inox handle
- Horizontal slim and bold laser-cut inox cladding on oven door



BO.02 Combi

- 60 cm combi electric oven
- Inox pop-in pop-out knobs
- Inox handle
- Inox control panel
- Side vertical inox cladding on oven door
- Large display digital programmer

BO.58 Combi

- 60 cm combi electric oven
- White metal control panel
- White knobs
- White handle
- Black glass oven door
- O-type white metal cladding on oven door
- Mechanical programmer



BO.61 Rustic Combi

- 60 cm combi electric oven
- Rustic style Risus knobs
- Rustic style Risus handle
- Type-C rustic design artwork
- Black glass control panel and oven door





BO.59 Combi

- 60 cm combi electric oven
- Inox knobs
- Inox handle
- Function serigraphy on knob rings
- Inox glass control panel
- Inox glass oven door
- Side-vertical inox cladding on control panel
- U-type inox cladding on oven door
- Digital programmer

BO.69 Combi

- 60 cm combi electric oven
- Inox pop-in pop-out knob
- Inox handle
- White optical glass control panel
- White optical glass oven door
- Side vertical inox cladding on control panel
- Side vertical inox cladding on oven door
- Digital programmer



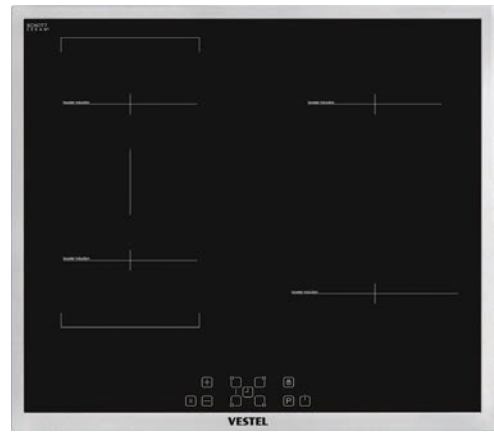
BO.34

- Combi electric oven without cooling fan
- White knobs
- White handle
- White metal control panel
- Black glass oven door
- U-type white glass on oven door





Hobs



Vestel Induction Hobs

VESTEL 100% Vestel Induction Technology



Easy to Use with touch control unit

High EFFICIENCY High Efficiency with low energy consumption 

SAFETY Thermal cut off system
Safe usage with pan detector
The glass surface is not directly heated thanks to the induction technology

Power BOOST Quick heating with PowerBoost



Fixes the cooking zone in boiling temperature (100°C)

Frying Fixes the cooking zone in frying temperature (160°C)



Keeps the cooking zone in 50°C

Chocolate MELTING Special function for chocolate melting (40°C)



This function locks two zones to act as a single zone for using large utensils.


TIMER Cooking duration control with Timer 



Will pause all the cooking in all zones and restart it from the same power levels when pressed again. Keeps the paused zones warm.

KEY LOCK Key lock function is for to block and to set the appliance in a safe mode during operation and cleaning. 

Child Lock Safe usage with Child Lock

AutoOFF Automatically off for hob forgotten as working. The hob will shut off automatically if left idle for a long time. (1,5 to 6 hours depending on the power level) 

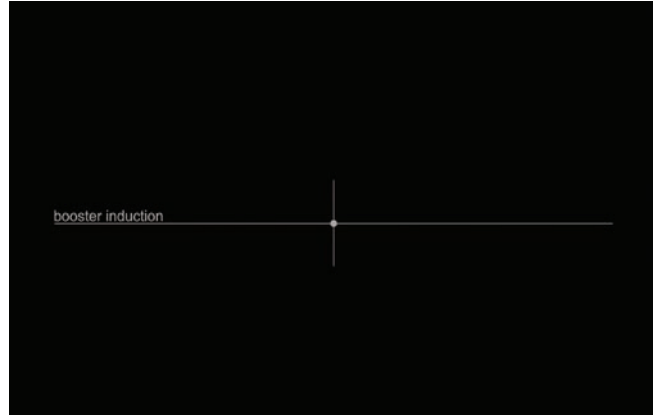


Easy to clean owing to special glass surface

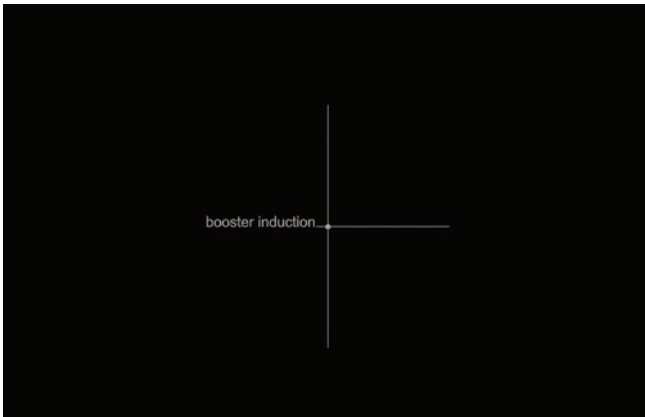
Ceran Glass Designs



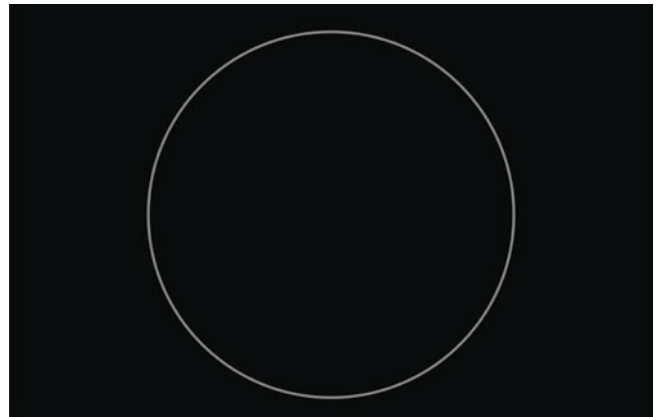
Slim Design (for Induction Hobs)



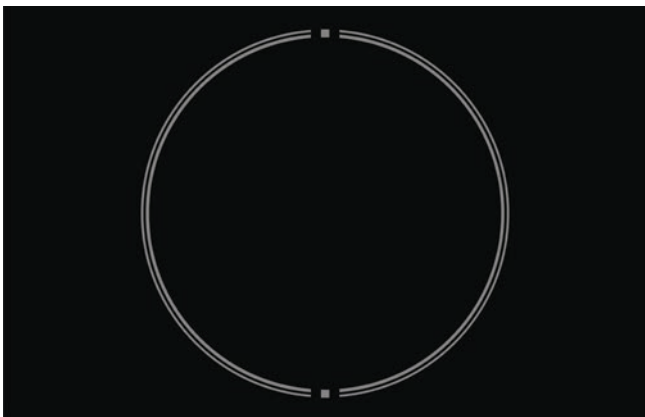
Line Design (for Induction Hobs)



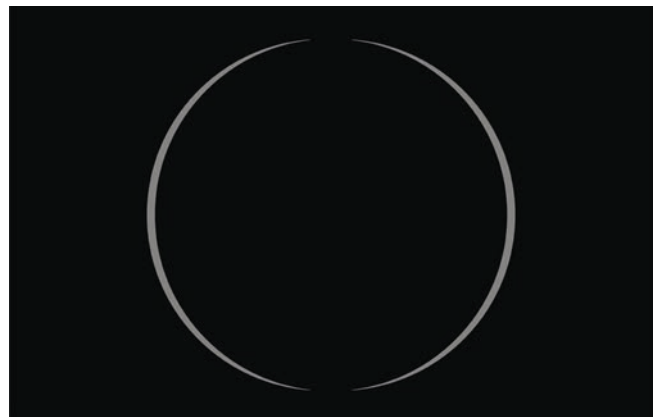
Plus Design (for Induction Hobs)



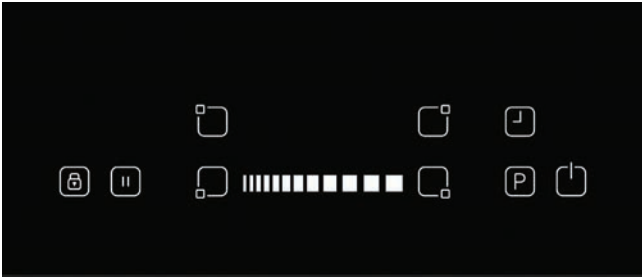
Slim Design (for Vitroceramic Hobs)



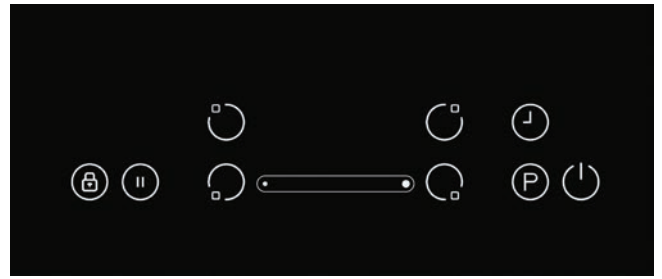
Point Design (for Vitroceramic Hobs)



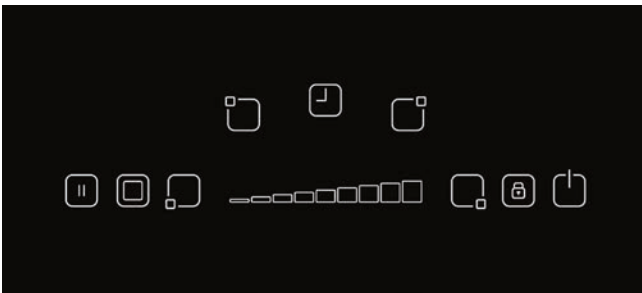
Arc Design (for Vitroceramic Hobs)



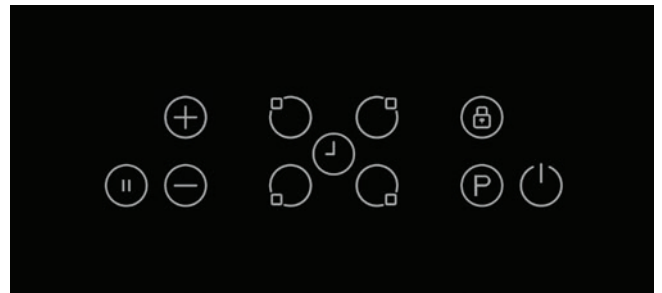
Slider Touch Control Panel - 1 (for Induction Hobs)



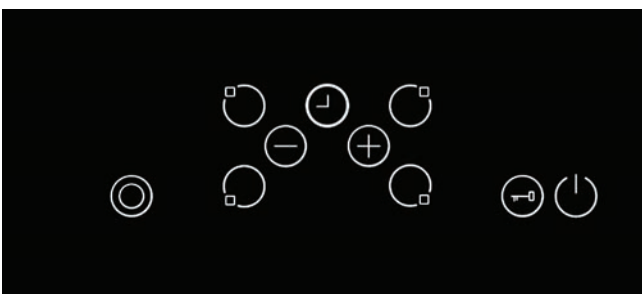
Slider Touch Control Panel - 2 (for Induction Hobs)



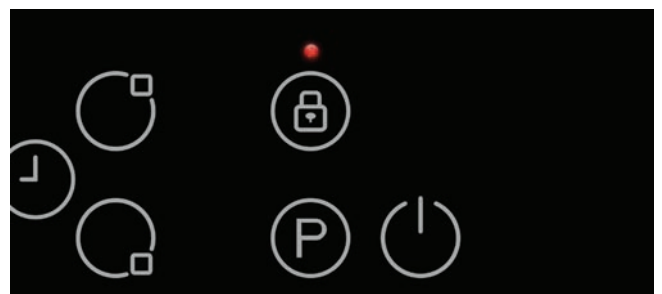
Slider Touch Control Panel (for Vitroceramic Hobs)



Touch Control Panel (for Induction Hobs)



Touch Control Panel (for Vitroceramic Hobs)

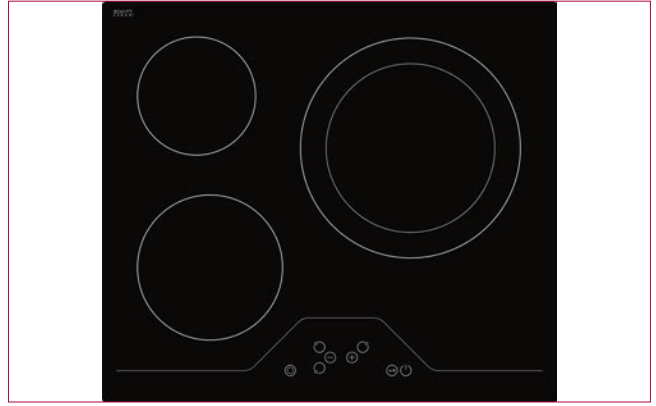


Key Lock (for Induction Hobs)

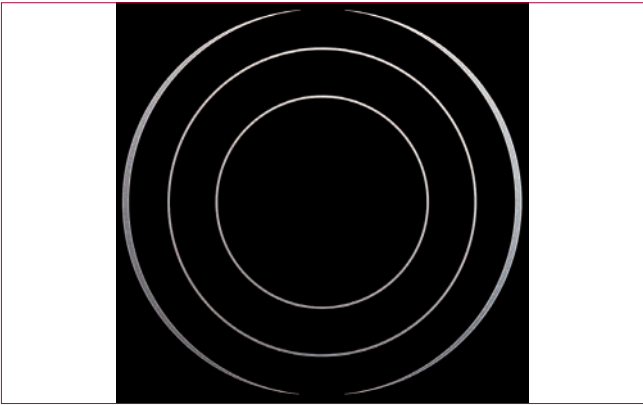
Ceran Hob Details



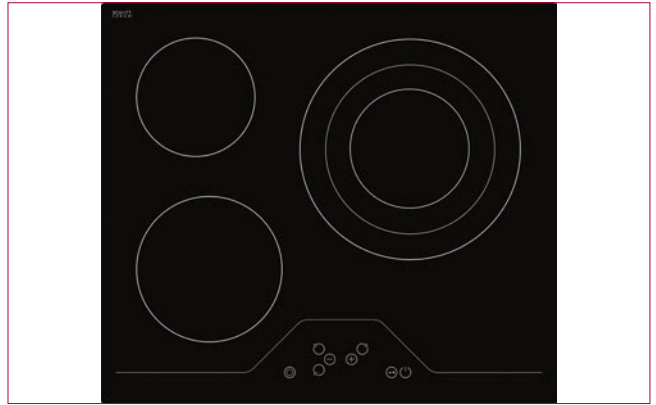
180 mm And 210 Mm Dual Zone For Vitroceramic Hobs



270 mm Dual Zone For Vitroceramic Hobs



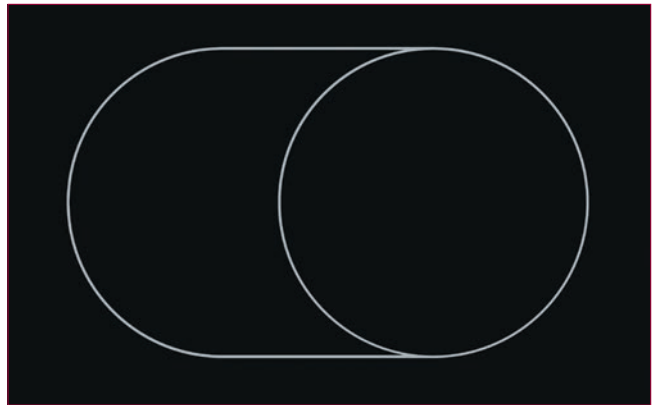
210 mm Triple Zone For Vitroceramic Hobs



270 mm Triple Zone For Vitroceramic Hobs



210 mm Zone For Vitroceramic Hobs



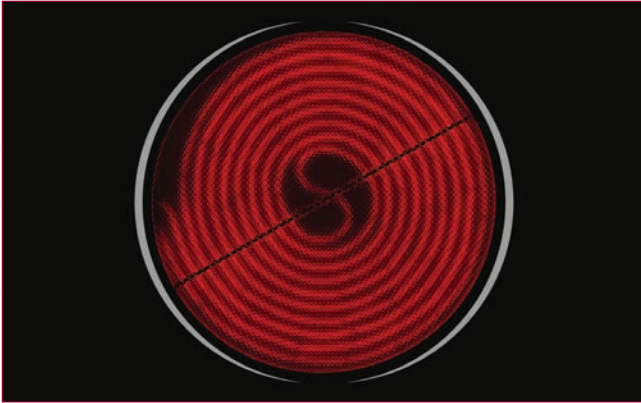
145 mm Oval Zone For Vitroceramic Hobs



Bridge Zone



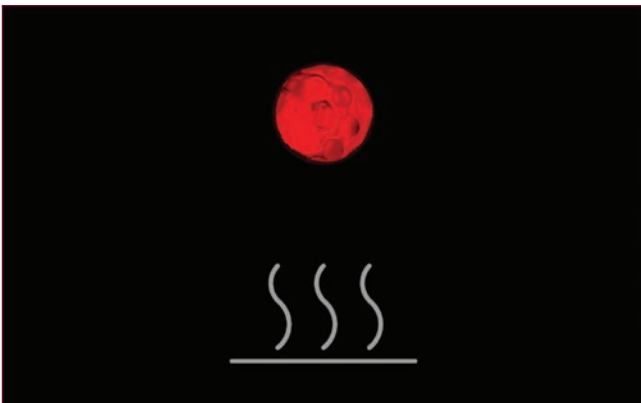
Vitroceramic Glass Cleaning Spatula



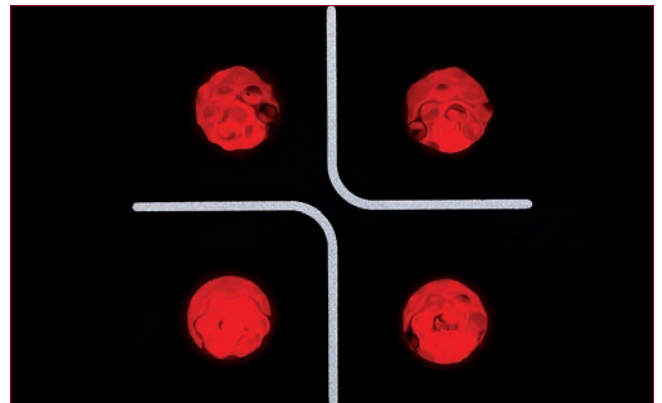
Highlight Heating Element



Radiant Heating Element



Hot Surface Indicator Light For Vitroceramic Hobs



Hot Surface Indicators For Vitroceramic Hobs



Bevelled Edges For Vitroceramic Hobs



Inox Frame Vitroceramic Hobs



Full Inox Frame



Two Sides Inox Frame

Gas on Glass Hob Pan Support Types



Enamel Pan Supports (Gas on Glass)



Cast Iron Pan Supports (Gas on Glass)



Mat Enamel Pan Supports (Gas on Glass)



Profile Type Pan Supports (Gas on Glass)



Plus X Enamel Pan Support (Gas on Glass)



PlusX Cast Iron Pan Supports (Gas on Glass)



Deluxe Pan Supports (Gas on Glass)



Line Pan Supports (Gas on Glass)



S - Type



V - Type



D - Type



O - Type



K - Type



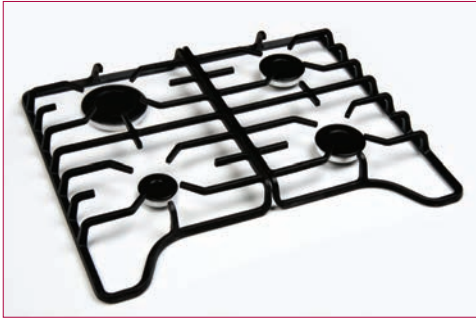
W - Type Cast Iron



S - Type Cast Iron



Extenda Cast Iron



K - Type Cast Iron

Hob Details



Enamel Pan Supports



Mat Enamel Pan Supports



Cast Iron Pan Supports



Enamel Burner Pan and Enamel Pan Supports
(for Gas on Glass Hobs)



Mat Enamel Burner Pan and Cast Iron Pan Support
(for Gas on Glass Hobs)



Inox Burner Pan and Mat Enamel Pan Supports
(for Gas on Glass Hobs)



Ignition for Gas Burners



Flame Failure Device for Gas Burners



Enamel Flat Burner Caps



Enamel Burner Caps



Cast Iron Burner Caps



Mat Enamel Burner Caps



Enamel Wok Adapter



Enamel Wok Adapter (square)



Cast Iron Wok Adapter



High Efficiency Wok Adapter

Hob Details



Rapid Solid Hotplate



Wok Burner



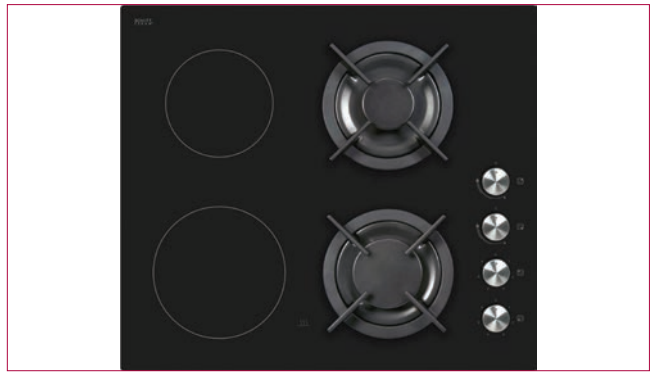
Button Ignition for Gas Hobs



Mechanical Timer for Domino Hobs



Hotplate in Gas on Glass Hob



Vitreoceramic Zones in Gas on Glass Hob



Induction Zones in Gas on Glass Hob



Coffee Support

BUILT-IN HOB SPECIFICATION SHEET		Built-in Gas Hob						
		60 cm	60 cm Smooth Line	60 cmFC	60 cmFC Plusx + Extenda SC	60 cm Division Design	70 cmFC	70 cmFC PLUSX
		Colors						
White	Cooktop	Standard	Standard	Standard	Standard	-	Standard	Standard
Brown		Optional	Optional	Optional	Optional	-	Optional	Optional
Terre de France		Optional	Optional	Optional	Optional	-	Optional	Optional
Black		Optional	Optional	Optional	Optional	-	Optional	Optional
Dark Green		Optional	Optional	Optional	Optional	-	Optional	Optional
Stainless Steel		Optional	Optional	Optional	Optional	Standard	Optional	Optional
		Product Dimensions						
Height (pan support not included)	mm	39	39	39,5	44	42	39,5	44
Width	mm	580	580	590	580	580	680	700
Depth	mm	510	510	515	515	510	515	515
		Cut-out Dimensions						
Width	mm	560	560	560	560	560	560	560
Depth	mm	490	490	490	490	490	490	490
		Hob Features						
Hob		Enamel	Enamel	Enamel	Enamel	Stainless Steel	Enamel	Enamel
Rapid Gas Burner Ø10cm	W	3000	3000	3000	3000	3000	3000	3000
Semi-rapid Gas Burner Ø7.5cm	W	1750	1750	1750	1750	1750	1750	1750
Auxiliary Gas Burner Ø5.5cm	W	1000	1000	1000	1000	1000	1000	1000
Wok (Triple Flame) Gas Burner Ø14cm	W	3800	3600	3600	-	-	3600	3600
Wok (Triple Flame) Gas Burner Ø11cm		-	-	-	3200	-	-	-
Ø 145 mm Hotplate	W	-	1000	1000	1000	-	1000	1000
Ø 180 mm Hotplate	W	1500	-	-	-	-	-	-
Ø 145 mm Rapid Hotplate	W	-	-	-	-	-	-	-
Ø 180 mm Rapid Hotplate	W	-	-	-	-	-	-	-
Ø145 mm Highlite Element	W	-	-	-	-	-	-	-
Ø180 mm Highlite Element	W	-	-	-	-	-	-	-
Ø210 mm Highlite Element	W	-	-	-	-	-	-	-
Ø180 mm Dual Highlite Element	W	-	-	-	-	-	-	-
Ø145 mm Oval Highlite Element	W	-	-	-	-	-	-	-
Ø210 mm Dual Highlite Element	W	-	-	-	-	-	-	-
Ø210 mm Triple Highlite Element	W	-	-	-	-	-	-	-
Ø270 mm Triple Highlite Element	W	-	-	-	-	-	-	-
Rectangular Highlite Element	W	-	-	-	-	-	-	-
Ø145 mm Radiant Element	W	-	-	-	-	-	-	-
Ø180 mm Radiant Element	W	-	-	-	-	-	-	-
Ø210 mm Radiant Element	W	-	-	-	-	-	-	-
Ø 160 mm Induction Zone	W	-	-	-	-	-	-	-
Ø 200 mm Induction Zone	W	-	-	-	-	-	-	-
Ø 250 mm Induction Zone	W	-	-	-	-	-	-	-
Oval Induction Zone	W	-	-	-	-	-	-	-
Boost Function		-	-	-	-	-	-	-
Bridge Function		-	-	-	-	-	-	-
Pot Dedection		-	-	-	-	-	-	-
Automatic Heatup		-	-	-	-	-	-	-
Timer (if touch control and some hob configuration selected for vitroceramic hob)		-	-	-	-	-	-	-
Child Lock (if touch control selected for vitroceramic hob)		-	-	-	-	-	-	-
Hot Surface Indicator Light		-	-	-	-	-	-	-
Hotplate Operation Indicator Light		Standard	Standard	Standard	Standard	-	Standard	Standard
Side Knob Control		Standard	Standard	-	-	-	-	-
Side Touch Control		-	-	-	-	-	-	-
Front Knob Control		-	-	Standard	Standard	-	Standard	Standard
Double Side Front Control		-	-	-	-	Standard	-	-
Front Triangular Touch Control		-	-	-	-	-	-	-
Front Slider Touch Control		-	-	-	-	-	-	-
Front Touch Control		-	-	-	-	-	-	-
Bevelled Edges		-	-	-	-	-	-	-
Logo		Standard	Standard	Standard	Standard	Standard	Standard	Standard
Special Decoration on Glass		-	-	-	-	-	-	-
Vitroceramic Glass Artwork		-	-	-	-	-	-	-
Inox Frame		-	-	-	-	-	-	-
Stainless Steel Burner Pan		-	-	-	-	-	-	-
Table Top Installation (not built-in) Glass Lid		Optional	Optional	-	-	-	-	-
		Table Top Frame						
Burner Safety Valves		Standard	Standard	Standard	Standard	Standard	Standard	Standard
Button Ignition		Optional	Optional	Optional	-	-	Optional	-
One-touch-Ignition through knobs		Optional	Optional	Optional	Optional	Standard	Optional	Optional
Enamel Pan Supports		Standard	Standard	Standard	Standard	-	Standard	Standard
Cast Iron Pan Supports		Optional	-	Optional	Optional	Standard	Optional	Optional
Cast Iron Burner Caps		Optional	-	Optional	Optional	Optional	Optional	Optional
Coffee Adaptor		Optional	Optional	Optional	Optional	Optional	Optional	Optional
Wok Adaptor		Optional	Optional	Optional	Optional	-	Optional	Optional
Vitroceramic Glass Cleaning Spatula		-	-	-	-	-	-	-
Gas Conversion Kit		Standard	Standard	Standard	Standard	Standard	Standard	Standard
		Others						
Total Gas Power (Depends on Model) Maximum	kW	8,3	8,1	8,1	7,7	7,5	11,1	11,1
Total Electric Power (Depends on Model) Maximum	kW	1,5	1	1	1	-	1	1
Voltage	V	230V-	230V-	230V-	230V-	230V-	230V-	230V-
RoHS Compliance		Standard	Standard	Standard	Standard	Standard	Standard	Standard
CE Compliance		Standard	Standard	Standard	Standard	Standard	Standard	Standard
Carton Box Packaging		Standard	Standard	Standard	Standard	Standard	Standard	Standard
Packed Product Dimensions (WxDxH)	mm	628x580x137	623x560x130	640x575x160	645x570x158	645x570x158	790x575x160	770x570x158
Net Weight (Depends on Model) Maximum	kg	9	6,6	9,8	9,5	11	10,7	12,5
Gross Weight (Depends on Model) Maximum	kg	9,75	7,5	10,63	10,5	12	11,6	13,5
Container Loading Quantity (20 ft Container)	pcs	612	612	504	448	448	448	392
Container Loading Quantity (40 ft Container)	pcs	1292	1292	1008	1008	1008	896	840
Container Loading Quantity (40 ft HC Container)	pcs	1444	1368	1152	1152	1152	1024	960

Hob Specifications

BUILT-IN HOB SPECIFICATION SHEET		Built-in Gas on Glass Hob						
		60 cm	60 cmFC	60 cmFC PLUSX	70 cmFC	70 cmFC PLUSX	60 cm Pure Gas + Radiant	60 cm Pure Gas + Ind
Colors								
White	Cooktop	Optional	Optional	Optional	Optional	Optional	Optional	Optional
Brown		Optional	Optional	Optional	Optional	Optional	-	-
Terre de France		Optional	Optional	Optional	Optional	Optional	-	-
Black		Standard	Standard	Standard	Standard	Standard	Standard	Standard
Dark Green		Optional	Optional	Optional	Optional	Optional	-	-
Stainless Steel		-	-	-	-	-	-	-
Product Dimensions								
Height (pan support not included)	mm	46,5	36,5	44	36,5	44	44	44
Width	mm	590	590	590	680	700	590	590
Depth	mm	520	515	520	515	520	520	520
Cut-out Dimensions								
Width	mm	560	560	560	560	560	560	560
Depth	mm	490	490	490	490	490	490	490
Hob Features								
Hob		Glass	Glass	Glass	Glass	Glass	Vitroc ceramic	Induction
Rapid Gas Burner Ø10cm	W	3000	3000	3000	3000	3000	3000	3000
Semi-rapid Gas Burner Ø7.5cm	W	1750	1750	1750	1750	1750	1750	1750
Auxiliary Gas Burner Ø5.5cm	W	1000	1000	1000	1000	1000	1000	-
Wok (Triple Flame) Gas Burner Ø14cm	W	3800	3800	3600	3800	3600	-	-
Wok (Triple Flame) Gas Burner Ø11cm		-	-	-	-	-	-	-
Ø 145 mm Hotplate	W	-	-	1000	-	-	-	-
Ø 180 mm Hotplate	W	-	-	-	-	-	-	-
Ø 145 mm Rapid Hotplate	W	-	-	-	-	-	-	-
Ø 180 mm Rapid Hotplate	W	-	-	-	-	-	-	-
Ø145 mm Highlite Element	W	-	-	-	-	-	1200	-
Ø180 mm Highlite Element	W	-	-	-	-	-	1800	-
Ø210 mm Highlite Element	W	-	-	-	-	-	-	-
Ø180 mm Dual Highlite Element	W	-	-	-	-	-	1700	-
Ø145 mm Oval Highlite Element	W	-	-	-	-	-	-	-
Ø210 mm Dual Highlite Element	W	-	-	-	-	-	-	-
Ø210 mm Triple Highlite Element	W	-	-	-	-	-	-	-
Ø270 mm Triple Highlite Element	W	-	-	-	-	-	-	-
Rectangular Highlite Element	W	-	-	-	-	-	-	-
Ø145 mm Radiant Element	W	-	-	-	-	-	-	-
Ø180 mm Radiant Element	W	-	-	-	-	-	-	-
Ø210 mm Radiant Element	W	-	-	-	-	-	-	-
Ø 160 mm Induction Zone	W	-	-	-	-	-	-	Nominal 1400 W max. Boost 1800 W for Vestel Induction
Ø 200 mm Induction Zone	W	-	-	-	-	-	-	Nominal 2100 W max. Boost 2500 W for Vestel Induction
Ø 250 mm Induction Zone	W	-	-	-	-	-	-	-
Oval Induction Zone	W	-	-	-	-	-	-	-
Boost Function		-	-	-	-	-	-	Standard for Vestel Induction
Bridge Function		-	-	-	-	-	-	-
Pot Dedection		-	-	-	-	-	-	Standard
Automatic Heatup		-	-	-	-	-	-	Standard
Timer (If touch control and some hob configuration selected for vitroc ceramic hob)		-	-	-	-	-	-	Standard for Induction Heaters
Child Lock (If touch control selected for vitroc ceramic hob)		-	-	-	-	-	-	Standard
Hot Surface Indicator Light		-	-	-	-	-	Standard	Standard
Hotplate Operation Indicator Light		-	-	-	-	-	-	-
Side Knob Control		Standard	Standard	Standard	-	-	Standard	Standard for Gas Heaters
Side Touch Control		-	-	-	-	-	-	Standard for Induction Heaters
Front Knob Control		-	Standard	Standard	Standard	Standard	-	-
Double Side Front Control		-	-	-	-	-	-	-
Front Triangular Touch Control		-	-	-	-	-	-	-
Front Slider Touch Control		-	-	-	-	-	-	-
Front Touch Control		-	-	-	-	-	-	-
Bevelled Edges		-	-	-	-	-	-	-
Logo		Optional	Standard	Standard	Standard	Standard	Optional	Optional
Special Decoration on Glass		Optional	-	-	-	-	Optional	Optional
Vitroc ceramic Glass Artwork		-	-	-	-	-	Slim Design	Slim Design
Inox Frame		-	Standard	-	Standard	-	Optional	Optional
Stainless Steel Burner Pan		Optional	Optional	Optional	Optional	Optional	Optional	Optional
Table Top Installation (not built-in)		-	-	-	-	-	-	-
Glass Lid		-	-	-	-	-	-	-
Table Top Frame								
Burner Safety Valves		Standard	Standard	Standard	Standard	Standard	Standard	Standard
Button Ignition		Optional	Optional	-	Optional	-	-	-
One-touch-Ignition through knobs		Optional	Optional	Optional	Optional	Optional	Optional	Optional
Enamel Pan Supports		Standard	Standard	Standard	Standard	Standard	Standard	Standard
Cast Iron Pan Supports		Optional	Optional	Optional	Optional	Optional	Optional	Optional
Cast Iron Burner Caps		Optional	Optional	Optional	Optional	Optional	Optional	Optional
Coffee Adaptor		Optional	Optional	Optional	Optional	Optional	Optional	-
Wok Adaptor		Optional	Optional	Optional	Optional	Optional	-	-
Vitroc ceramic Glass Cleaning Spatula		-	-	-	-	-	Optional	Optional
Gas Conversion Kit		Standard	Standard	Standard	Standard	Standard	Standard	Standard
Others								
Total Gas Power (Depends on Model) Maximum	kW	8,3	8,3	8,1	11,3	11,1	4,8	4,8
Total Electric Power (Depends on Model) Maximum	kW	-	-	1	-	-	3	3,6
Voltage	V	230V~	230V~	230V~	230V~	230V~	230 V~	230 V~
RoHS Compliance		Standard	Standard	Standard	Standard	Standard	Standard	Standard
CE Compliance		Standard	Standard	Standard	Standard	Standard	Standard	Standard
Carton Box Packaging		Standard	Standard	Standard	Standard	Standard	Standard	Standard
Packed Product Dimensions (WxDxH)	mm	615x580x137	640x575x160	645x570x158	730x575x160	770x570x158	645x570x158	645x570x158
Net Weight (Depends on Model) Maximum	kg	9,5	10,7	11,5	13,7	13,8	9,5	10
Gross Weight (Depends on Model) Maximum	kg	10,25	11,13	12,5	14,2	14,8	10,5	11
Container Loading Quantity (20 ft Container)	pcs	612	504	448	448	392	448	448
Container Loading Quantity (40 ft Container)	pcs	1292	1008	1008	896	840	1008	1008
Container Loading Quantity (40 ft HC Container)	pcs	1444	1152	1152	1024	960	1152	1152

BUILT-IN HOB SPECIFICATION SHEET		Electric Built-in Hob		Vitroceramic Built-in Hob		Vestel Induction Built-in Hob									
		60 cm		60 cm		78 cm		60 cm			78 cm		90 cm		
						Colors									
White	Cooktop	Standard		Optional		Optional		Optional		Optional		Optional		Optional	
Brown		Optional		-		-		-		-		-		-	
Terre de France		Optional		-		-		-		-		-		-	
Black		Optional		Standard		Standard		Standard		Standard		Standard		Standard	
Dark Green		Optional		-		-		-		-		-		-	
Stainless Steel		Optional		-		-		-		-		-		-	
						Product Dimensions									
Height (pan support not included)	mm	39		41 - 47.5		41		53		53		53		53	
Width	mm	580		590		780		590		780		590		890	
Depth	mm	510		520		520		520		520		520		520	
						Cut-out Dimensions									
Width	mm	560		560		750		560		750		560		860	
Depth	mm	490		490		490		490		490		490		490	
						Hob Features									
Hob		Enamel		Vitroceramic		Vitroceramic		Induction		Induction		Induction		Induction	
Rapid Gas Burner Ø10cm	W	-		-		-		-		-		-		-	
Semi-rapid Gas Burner Ø7.5cm	W	-		-		-		-		-		-		-	
Auxiliary Gas Burner Ø5.5cm	W	-		-		-		-		-		-		-	
Wok (Triple Flame) Gas Burner Ø14cm	W	-		-		-		-		-		-		-	
Wok (Triple Flame) Gas Burner Ø11cm		-		-		-		-		-		-		-	
Ø 145 mm Hotplate	W	1000		-		-		-		-		-		-	
Ø 180 mm Hotplate	W	1500		-		-		-		-		-		-	
Ø 145 mm Rapid Hotplate	W	1500		-		-		-		-		-		-	
Ø 180 mm Rapid Hotplate	W	2000		-		-		-		-		-		-	
Ø145 mm Highlite Element	W	-		1200		1200		-		-		-		-	
Ø180 mm Highlite Element	W	-		1800		1800		-		-		-		-	
Ø210 mm Highlite Element	W	-		2300		2300		-		-		-		-	
Ø180 mm Dual Highlite Element	W	-		1700		1700		-		-		-		-	
Ø145 mm Oval Highlite Element	W	-		1800		1800		-		-		-		-	
Ø210 mm Dual Highlite Element	W	-		2200		2200		-		-		-		-	
Ø210 mm Triple Highlite Element	W	-		2300		2300		-		-		-		-	
Ø270 mm Triple Highlite Element	W	-		2700		-		-		-		-		-	
Rectangular Highlite Element	W	-		-		2000		-		-		-		-	
Ø145 mm Radiant Element	W	-		1200		-		-		-		-		-	
Ø180 mm Radiant Element	W	-		1700		-		-		-		-		-	
Ø210 mm Radiant Element	W	-		2100		-		-		-		-		-	
Ø 160 mm Induction Zone	W	-		-		-		Nominal 1400 W max. Boost 1800 W		Nominal 1400 W max. Boost 1800 W		Nominal 1400 W max. Boost 1800 W		Nominal 1400 W max. Boost 1800 W	
Ø 200 mm Induction Zone	W	-		-		-		Nominal 2100 W max. Boost 2500 W		Nominal 2100 W max. Boost 2500 W		Nominal 2100 W max. Boost 2500 W		Nominal 2100 W max. Boost 2500 W	
Ø 250 mm Induction Zone	W	-		-		-		Nominal 2800 W max. Boost 3500 W		Nominal 2800 W max. Boost 3500 W		Nominal 2800 W max. Boost 3500 W		Nominal 2800 W max. Boost 3500 W	
Oval Induction Zone	W	-		-		-		-		-		-		-	
Boost Function		-		-		-		Standard		Standard		Standard		Standard	
Bridge Function		-		-		-		Optional		-		-		-	
Pot Dedection		-		-		-		Standard		Standard		Standard		Standard	
Automatic Heatup		-		-		-		-		-		-		-	
Timer (if touch control and some hob configuration selected for vitroceramic hob)		-		Optional		Optional		Optional		Optional		Optional		Standard	
Child Lock (if touch control selected for vitroceramic hob)		-		Standard		Standard		Standard		Standard		Standard		Standard	
Hot Surface Indicator Light		-		Standard		Standard		Standard		Standard		Standard		Standard	
Hotplate Operation Indicator Light		Standard		-		-		-		-		-		-	
Side Knob Control		Standard		Standard		-		-		-		-		-	
Side Touch Control		-		Optional		-		-		-		-		-	
Front Knob Control		-		-		-		-		-		-		-	
Double Side Front Control		-		-		-		-		-		-		-	
Front Triangular Touch Control		-		Optional		Standard		-		-		-		-	
Front Slider Touch Control		-		Optional		Optional		Optional		Optional		-		-	
Front Touch Control		-		-		-		Optional		Optional		Optional		Optional	
Bevelled Edges		-		Optional		Optional		Optional		Optional		Optional		Optional	
Logo		Standard		Optional		Optional		Optional		Optional		Optional		Optional	
Special Decoration on Glass		-		Optional		Optional		Optional		Optional		Optional		Optional	
Vitroceramic Glass Artwork		-		Slim Design Arc Design Point Design		Slim Design Arc Design Point Design		Slim Design Plus Design Line Design		Slim Design Plus Design Line Design		Slim Design Plus Design Line Design		Slim Design Plus Design Line Design	
Inox Frame		-		Optional		-		Optional		Optional		Optional		Optional	
Stainless Steel Burner Pan		-		-		-		-		-		-		-	
Table Top Installation (not built-in)		-		-		-		-		-		-		-	
Glass Lid		-		-		-		-		-		-		-	
						Table Top Frame									
Burner Safety Valves		-		-		-		-		-		-		-	
Button Ignition		-		-		-		-		-		-		-	
One-touch-Ignition through knobs		-		-		-		-		-		-		-	
Enamel Pan Supports		-		-		-		-		-		-		-	
Cast Iron Pan Supports		-		-		-		-		-		-		-	
Cast Iron Burner Caps		-		-		-		-		-		-		-	
Coffee Adaptor		-		-		-		-		-		-		-	
Wok Adaptor		-		-		-		-		-		-		-	
Vitroceramic Glass Cleaning Spatula		-		Optional		Optional		Optional		Optional		Optional		Optional	
Gas Conversion Kit		-		-		-		-		-		-		-	
						Others									
Total Gas Power (Depends on Model) Maximum	kW	-		-		-		-		-		-		-	
Total Electric Power (Depends on Model) Maximum	kW	6		6,5		8,3		7,4		7,4		10,8		10,8	
Voltage	V	230V- / 400V 2N-		230V- / 400V 3N-		230V- / 400V 3N-		230V- / 400V 3N-		230V- / 400V 3N-		230V- / 400V 3N-		230V- / 400V 3N-	
RoHS Compliance		Standard		Standard		Standard		Standard		Standard		Standard		Standard	
CE Compliance		Standard		Standard		Standard		Standard		Standard		Standard		Standard	
Carton Box Packaging		Standard		Standard		Standard		Standard		Standard		Standard		Standard	
Packed Product Dimensions (WxDxH)	mm	628x580x137		618x578x132		814x580x142		624x580x142		814x580x142		924x580x142		924x580x142	
Net Weight (Depends on Model) Maximum	kg	9,5		9,5		10,15		11		12		16		16	
Gross Weight (Depends on Model) Maximum	kg	10,25		10,25		11		12		13		17		17	
Container Loading Quantity (20 ft Container)	pcs	612		612		476		576		448		336		336	
Container Loading Quantity (40 ft Container)	pcs	1292		1292		952		1216		952		672		672	
Container Loading Quantity (40 ft HC Container)	pcs	1444		1444		1064		1368		1026		672		672	



VIFTC.16

Standard Features

- 90 cm induction ceramic hob
- Front touch control
- Booster function
- 2 Ø 160 mm 1400 W / Boost 1800 W induction element
- 2 Ø 200 mm 2100 W / Boost 2500 W induction element
- 1 Ø 250 mm 2800 W / Boost 3500 W induction element

- Pot detection
- Child lock
- Hot surface indicator
- Timer
- Slim design ceran glass serigraphy
- Key Lock
- Smart Pause

Optional Features

- Two side inox frame

VIFTC.01

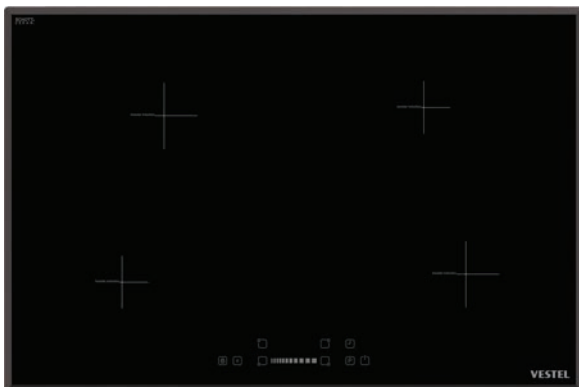
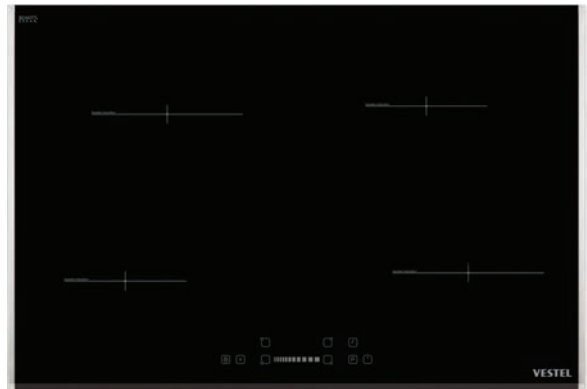
Standard Features

- 78 cm induction ceramic hob
- Booster function
- 2 Ø 160 mm 1400 W / Boost 1800 W induction element
- 2 Ø 200 mm 2100 W / Boost 2500 W induction element
- Pot detection
- Key lock
- Child lock

- Hot surface indicator
- Smart Pause

Optional Features

- Slider touch control
- Timer
- Two side inox frame
- Front side bevelled edge glass



VIFTC.02

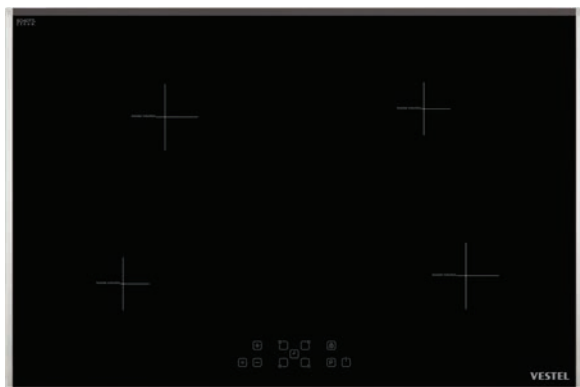
Standard Features

- 78 cm induction ceramic hob
- Booster function
- 2 Ø 160 mm 1400 W / Boost 1800 W induction element
- 2 Ø 200 mm 2100 W / Boost 2500 W induction element
- Pot detection
- Key lock

- Child lock
- Hot surface indicator
- Smart Pause

Optional Features

- Slider touch control
- Timer
- Bevelled edge glass



VIFTC.04

Standard Features

78 cm induction ceramic hob
 Front touch control
 Booster function
 2 Ø 160 mm 1400 W /
 Boost 1800 W induction
 element
 2 Ø 200 mm 2100 W /
 Boost 2500 W induction
 element
 Pot detection
 Key lock
 Child lock

Hot surface indicator
 Smart Pause

Optional Features

Timer
 Two side inox frame
 Front and back side bevelled
 edge glass

VIFTC.05

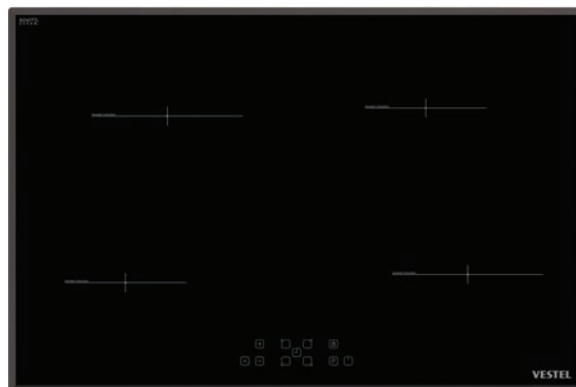
Standard Features

78 cm induction ceramic hob
 Front touch control
 Booster function
 2 Ø 160 mm 1400 W /
 Boost 1800 W induction
 element
 2 Ø 200 mm 2100 W /
 Boost 2500 W induction
 element
 Pot detection
 Key lock
 Child lock

Hot surface indicator
 Smart Pause

Optional Features

Timer
 Bevelled edge glass



VIFTC.06

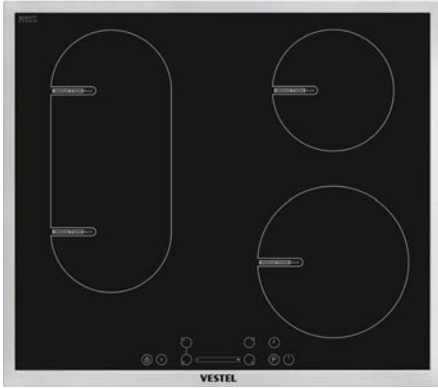
Standard Features

78 cm induction ceramic hob
 Front touch control
 Booster function
 2 Ø 160 mm 1400 W /
 Boost 1800 W induction
 element
 2 Ø 200 mm 2100 W /
 Boost 2500 W induction
 element
 Pot detection

Key lock
 Child lock
 Hot surface indicator
 Smart Pause

Optional Features

Timer
 Two side inox frame



VIFTC.18

Standard Features

60 cm induction ceramic hob
 Booster function
 3 Ø 160 mm 1400 W /
 Boost 1800 W induction
 element
 1 Ø 200 mm 2100 W /
 Boost 2500 W induction
 element
 Pot Detection
 Child lock

Hot surface indicator
 Key lock
 Smart pause

Optional Features

Slider touch control
 Timer
 Full inox frame
 Line design
 Ceran glass serigraphy
 Birdge zone

VIFTC.08

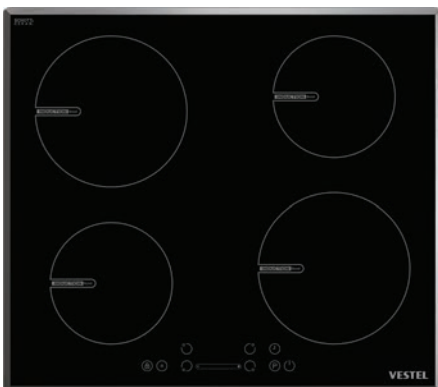
Standard Features

60 cm induction ceramic hob
 Booster function
 2 Ø 160 mm 1400 W /
 Boost 1800 W induction
 element
 2 Ø 200 mm 2100 W /
 Boost 2500 W induction
 element
 Pot detection
 Key lock
 Child lock

Hot surface indicator
 Smart Pause

Optional Features

Slider touch control
 Timer
 Two side inox frame
 Front and back side bevelled
 edge glass



VIFTC.09

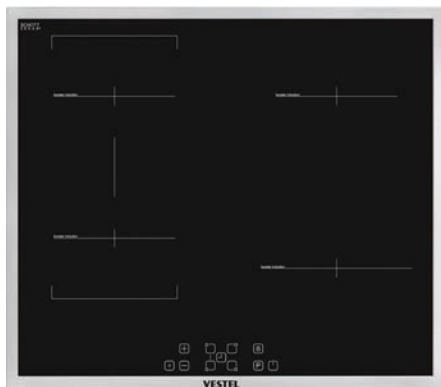
Standard Features

60 cm induction ceramic hob
 Booster function
 2 Ø 160 mm 1400 W /
 Boost 1800 W induction
 element
 2 Ø 200 mm 2100 W /
 Boost 2500 W induction
 element
 Pot detection
 Key lock

Child lock
 Hot surface indicator
 Smart Pause

Optional Features

Slider touch control
 Timer
 Bevelled edge glass



VIFTC.17

Standard Features

60 cm induction ceramic hob
 Front touch control
 Booster function
 3 Ø 160 mm 1400 W /
 Boost 1800 W induction
 element
 1 Ø 200 mm 2100 W /
 Boost 2500 W induction
 element
 Pot Detection
 Child lock
 Hot surface indicator

Key lock
 Smart pause

Optional Features

Timer
 Full inox frame
 Line design ceran glass
 serigraphy
 Bridge Zone

VIFTC.10

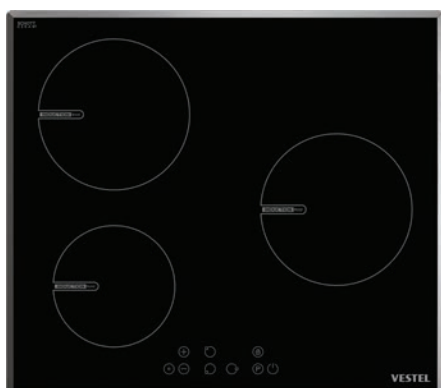
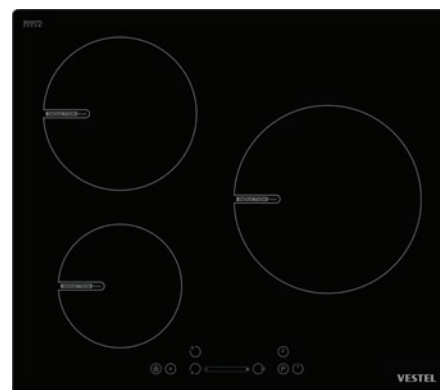
Standard Features

60 cm induction ceramic hob
 Booster function
 1 Ø 160 mm 1400 W /
 Boost 1800 W induction
 element
 1 Ø 200 mm 2100 W /
 Boost 2500 W induction
 element
 1 Ø 250 mm 2800 W /
 Boost 3500 W induction
 element
 Pot detection

Key lock
 Child lock
 Hot surface indicator
 Smart Pause

Optional Features

Slider touch control
 Timer



VIFTC.14

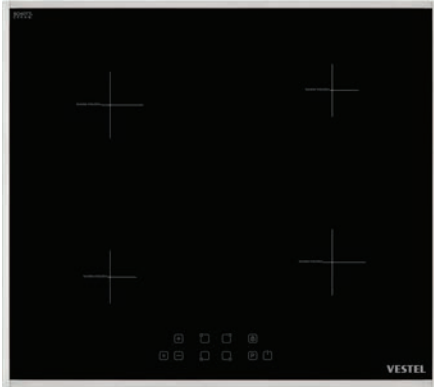
Standard Features

60 cm induction ceramic hob
 Front touch control
 Booster function
 1 Ø 160 mm 1400 W /
 Boost 1800 W induction
 element
 2 Ø 200 mm 2100 W /
 Boost 2500 W induction
 element
 Pot detection

Key lock
 Child lock
 Hot surface indicator
 Smart Pause

Optional Features

Bevelled edge glass



VIFTC.12

Standard Features

- 60 cm induction ceramic hob
- Front touch control
- Booster function
- 2 Ø 160 mm 1400 W / Boost 1800 W induction element
- 2 Ø 200 mm 2100 W / Boost 2500 W induction element
- Pot detection
- Key lock
- Child lock

- Hot surface indicator
- Smart Pause

Optional Features

- Inox frame

VIFTC.13

Standard Features

- 60 cm induction ceramic hob
- Front touch control
- Booster function
- 2 Ø 160 mm 1400 W / Boost 1800 W induction element
- 2 Ø 200 mm 2100 W / Boost 2500 W induction element
- Pot detection
- Key lock
- Child lock

- Hot surface indicator
- Smart Pause

Optional Features

- Timer



VIFTC.15

Standard Features

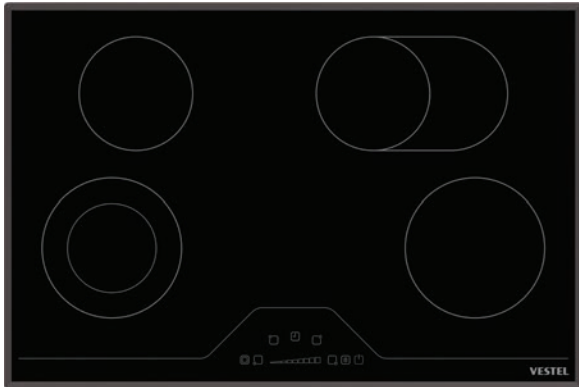
- 60 cm induction ceramic hob
- Front touch control
- Booster function
- 1 Ø 160 mm 1400 W / Boost 1800 W induction element
- 2 Ø 200 mm 2100 W / Boost 2500 W induction element
- Pot detection

- Key lock
- Child lock
- Hot surface indicator
- Smart Pause

Optional Features

- Timer
- Two side inox frame





VFTC.01

Standard Features

78 cm ceramic hob
 1 Ø 145 mm Highlite Element
 1200W
 1 Ø 180 mm Highlite Element
 1800W
 Child lock
 Hot surface indicator
 Key Lock
 Smart pause

Optional Features

Slider touch control
 Ø 145 mm Oval Highlite
 Element 1000W/1800W
 Ø 180 mm Dual Highlite
 Element 700W/1700W
 Timer
 Bevelled edge glass

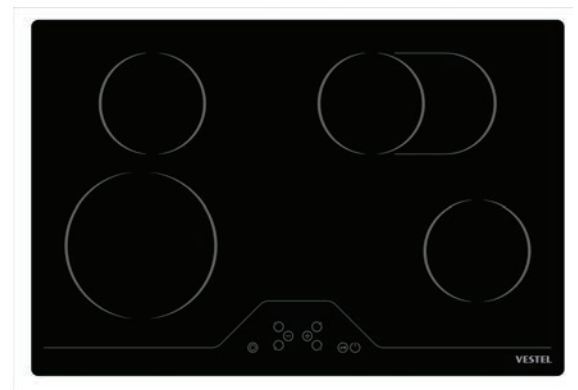
VFTC.03

Standard Features

78 cm ceramic hob
 Front touch control
 2 Ø 145 mm Highlite Element
 1200W
 Child lock
 Hot surface indicator
 Key Lock

Optional Features

Ø 145 mm Oval Highlite
 Element 1000W/1800W
 Ø 210 mm Highlite Element
 2300W



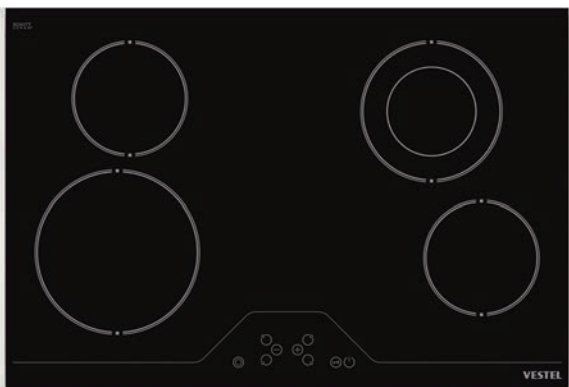
VFTC.13

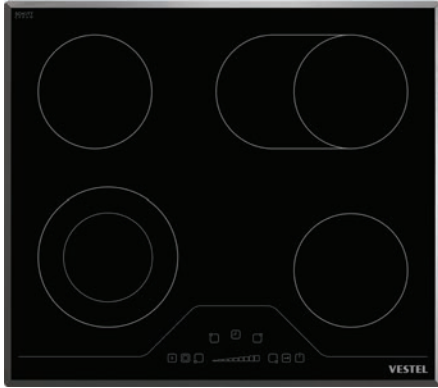
Standard Features

78 cm ceramic hob
 Front touch control
 2 Ø 145 mm Highlite Element
 1200W
 Child Lock
 Hot surface indicator
 Key lock
 smart pause

Optional Features

1 Ø 210 mm Highlite Element
 2300W
 1 Ø 180mm Dual Highlite
 Element 700W/1700W
 Two side inox frame





VFTC.04

Standard Features

60 cm ceramic hob
 2 Ø 145 mm Highlite Element
 1200W
 Child lock
 Hot surface indicator
 Key Lock
 Smart pause

Optional Features

Slider touch control
 Ø 180 mm Dual Highlite
 Element 700W/1700W
 Ø 145 mm Oval Highlite
 Element 1000W/1800W
 Timer
 Bevelled edge glass

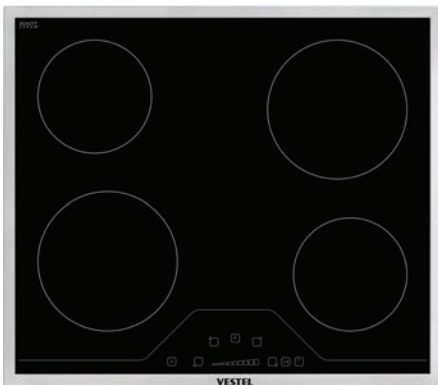
VFTC.05

Standard Features

60 cm ceramic hob
 2 Ø 145 mm Highlite Element
 1200W
 Child lock
 Hot surface indicator
 Key Lock
 Smart pause

Optional Features

Slider touch control
 Ø 180 mm Dual Highlite
 Element 700W/1700W
 Ø 210 mm Triple
 Highlite Element
 800W/1600W/2300W
 Timer
 Two side inox frame



VFTC.06

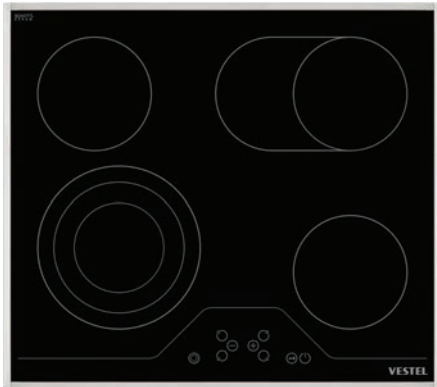
Standard Features

60 cm ceramic hob
 2 Ø 145 mm Highlite Element
 1200W
 2 Ø 180 mm Highlite Element
 1800W
 Child Lock
 Hot surface indicator
 Slim design ceran glass
 serigraphy

Key Lock
 Smart pause

Optional Features

Slider touch control
 Timer
 Full inox frame



VFTC.07

Standard Features

60 cm ceramic hob
 Front touch control
 2 Ø 145 mm Highlite Element
 1200W
 Child lock
 Hot surface indicator
 Key Lock

Optional Features

Ø 145 mm Oval Highlite
 Element 1000W/1800W
 Ø 210 mm Triple
 Highlite Element
 800W/1600W/2300W
 Inox frame

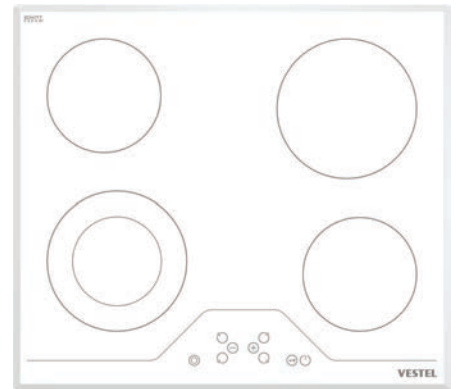
VFTC.08

Standard Features

60 cm ceramic hob
 Front touch control
 2 Ø 145 mm Highlite Element
 1200W
 Ø 180 mm Highlite Element
 1800W
 Child lock
 Hot surface indicator
 Key Lock

Optional Features

Ø 180 mm Dual Highlite
 Element 700W/1700W
 Bevelled edge glass
 White ceramic glass



VFTC.09

Standard Features

60 cm ceramic hob
 Front touch control
 2 Ø 145 mm Highlite Element
 1200W
 Child lock
 Hot surface indicator
 Key Lock

Optional Features

Ø 210 mm Triple
 Highlite Element
 800W/1600W/2300W
 Ø 180 mm Dual Highlite
 Element 700W/1700W
 Timer
 Two side inox frame
 Front side bevelled edge
 glass





VFTC.10

Standard Features

60 cm ceramic hob
Front touch control
Ø 145 mm Highlite Element
1200W
Ø 180 mm Highlite Element
1800W
Child lock
Hot surface indicator
Key Lock

Optional Features

Ø 270 mm Triple
Highlite Element
1050W/1950W/2700W
Two side inox frame
Front and back side bevelled
edge glass

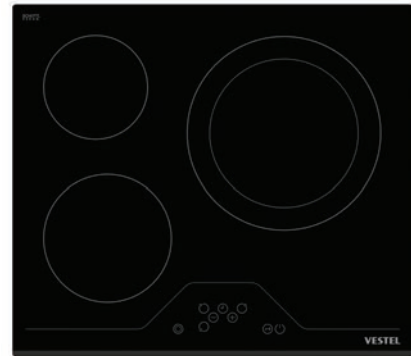
VFTC.11

Standard Features

60 cm ceramic hob
Front touch control
Ø 145 mm Highlite Element
1200W
Ø 180 mm Highlite Element
1800W
Child lock
Hot surface indicator
Key Lock

Optional Features

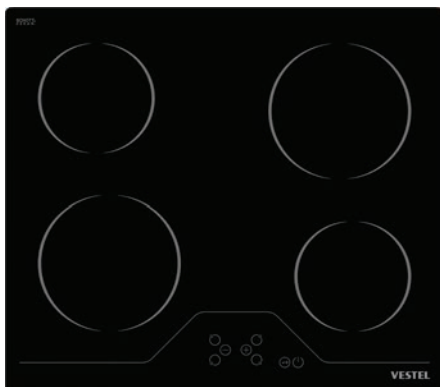
Ø 270 mm Dual Highlite
Element 1800W/2700W
Timer
Front side bevelled edge
glass

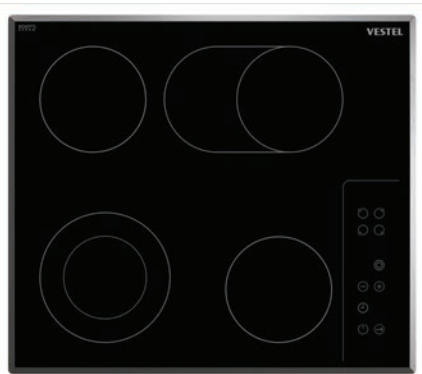


VFTC.12

Standard Features

60 cm ceramic hob
Front touch control
2 Ø 145 mm Highlite Element
1200W
2 Ø 180 mm Highlite Element
1800W
Child lock
Hot surface indicator
Key Lock





VSTC.01

Standard Features

60 cm ceramic hob
 Side touch control
 2 Ø 145 mm Highlite Element
 1200W
 Child lock
 Hot surface indicator
 Key Lock

Optional Features

Ø 145 mm Oval Highlite
 Element 1000W/1800W
 Ø 180 mm Dual Highlite
 Element 700W/1700W
 Timer
 Bevelled edge glass

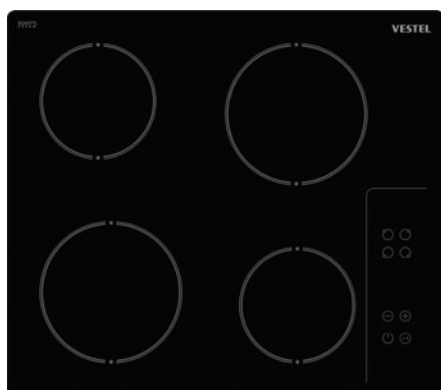
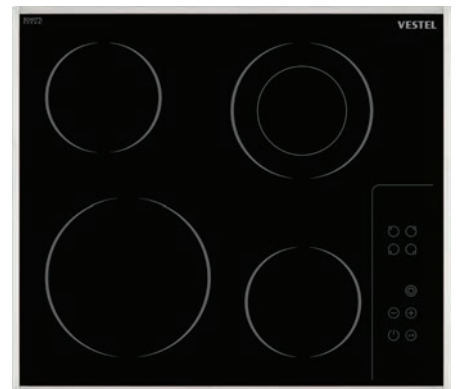
VSTC.02

Standard Features

60 cm ceramic hob
 Side touch control
 2 Ø 145 mm Highlite Element
 1200W
 Child lock
 Hot surface indicator
 Key Lock

Optional Features

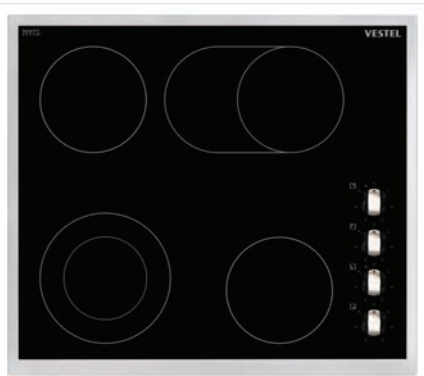
Ø 180 mm Dual Highlite
 Element 700W/1700W
 Ø 210 mm Highlite Element
 2300W
 Inox frame



VSTC.03

Standard Features

60 cm ceramic hob
 Side touch control
 2 Ø 145 mm Highlite Element
 1200W
 2 Ø 180 mm Highlite Element
 1800W
 Child lock
 Hot surface indicator
 Key Lock



VKC.01

Standard Features

60 cm ceramic hob
Side knob control
2 Ø 145 mm Highlite Element
1200W
Hot surface indicator light
Slim design ceran glass
serigraphy

Optional Features

Ø 145 mm Oval Highlite
Element 1000W/1800W
Ø 180 mm Dual Highlite
Element 700W/1700W
Full inox frame
Metal knobs

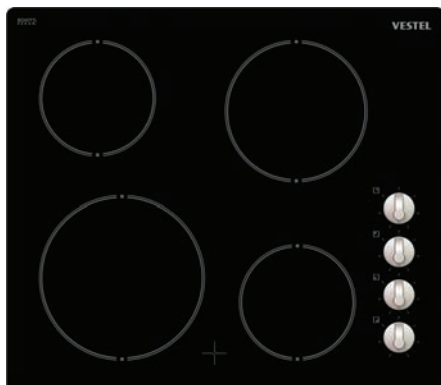
VKC.02

Standard Features

60 cm ceramic hob
Side knob control
2 Ø 145 mm Highlite Element
1200W
Hot surface indicator light

Optional Features

Ø 180 mm Dual Highlite
Element 700W/1700W
Ø 210 mm Highlite Element
2300W
Front and back side bevelled
edge glass
Inox knobs



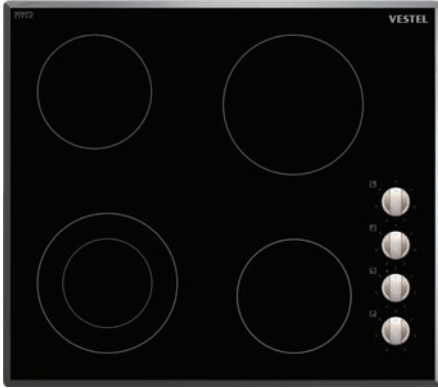
VKC.03

Standard Features

60 cm ceramic hob
Side knob control
2 Ø 145 mm Highlite Element
1200W
Ø 180 mm Highlite Element
1800W
Hot surface indicator light

Optional Features

Ø 210 mm Highlite Element
2300W
Inox knobs



VKC.04

Standard Features

- 60 cm ceramic hob
- Side knob control
- 2 Ø 145 mm Highlite Element 1200W
- Ø 180 mm Highlite Element 1800W
- Hot surface indicator light

Optional Features

- Ø 180 mm Dual Highlite Element 700W/1700W
- Bevelled edge glass
- Inox knobs

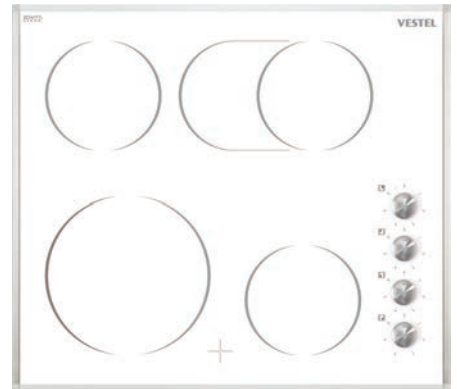
VKC.05

Standard Features

- 60 cm ceramic hob
- Side knob control
- 2 Ø 145 mm Highlite Element 1200W
- Hot surface indicator light

Optional Features

- Ø145mm Oval Highlite Element 1000W/1800W
- Ø210mm Highlite Element 2300W
- Front and back side bevelled edge glass
- Metal knobs
- White ceramic glass
- Two side inox frame



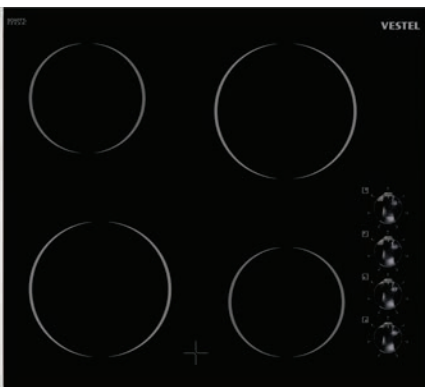
VKC.06

Standard Features

- 60 cm ceramic hob
- Side knob control
- 2 Ø 145 mm Highlite Element 1200W
- 2 Ø 180 mm Highlite Element 1800W
- Hot surface indicator light

Optional Features

- Two side inox frame





VICH.01

Standard Features

60 cm induction ceramic hob
Combination with oven
Knob controlled from oven
Booster function
2 Ø 160 mm 1400 W /
Boost 1800 W induction
element
2 Ø 200 mm 2100 W /
Boost 2500 W induction
element
Pot detection
Child lock

Hot surface indicator
Timer
Slim design ceran glass
serigraphy

Optional Features

Full inox frame

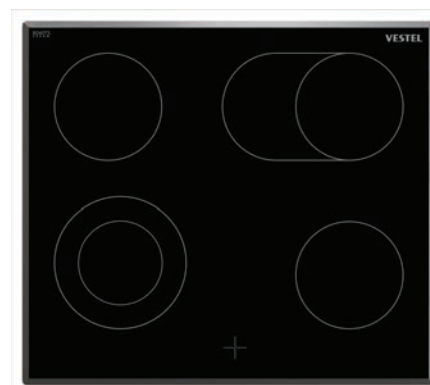
VCH.02

Standard Features

60 cm ceramic hob
Combination with oven
2 Ø 145 mm Highlite Element
1200W
Hot surface indicator light

Optional Features

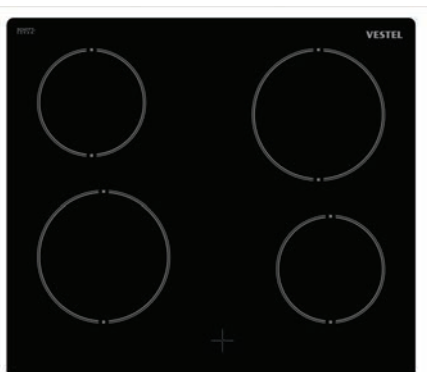
Ø 180 mm Dual Highlite
Element 700W/1700W
Ø 145 mm Oval Highlite
Element 1000W/1800W
Bevelled edge glass



VCH.03

Standard Features

60 cm ceramic hob
Combination with oven
2 Ø 145 mm Highlite Element
1200W
2 Ø 180 mm Highlite Element
1800W
Hot surface indicator light





BGOGH.44

Standard Features

- 90 cm gas on glass hob
- 5 gas burners
- High efficiency wok burner
- Front knob control
- One touch ignition
- Flame safety device
- Cast iron pan supports
- Cast iron burner caps
- Mat enamel burner pans

Optional Features

- Dual work burner
- Cast iron high efficiency wok adapter
- Main switch
- White optical glass
- Inox burner pans
- Metal knobs

BGOGH.17

Standard Features

- 70 cm gas on glass hob
- Plus X Design
- 5 gas burners
- Wok burner
- Front knob control
- One touch ignition
- Flame safety device

Optional Features

- Mat enamel burner pans
- Mat enamel burner caps
- Cast iron pan supports
- Metal knobs



BGOGH.28

Standard Features

- 70 cm gas on glass hob
- Plus X Design
- 5 gas burners
- Wok burner
- Front knob control
- One touch ignition
- Flame safety device

Optional Features

- Mat enamel burner pans
- Mat enamel burner caps
- Cast iron pan supports
- Metal knobs



Gas on Glass Hobs



BGOGH.29

Standard Features

- 70 cm gas on glass hob
- Plus X Design
- 5 gas burners
- Wok burner
- Front knob control
- One touch ignition
- Flame safety device

Optional Features

- White optical glass
- Inox burner pans
- Mat enamel burner caps
- Cast iron pan supports
- Metal knobs

BGOGH.30

Standard Features

- 70 cm gas on glass hob
- Plus X Design
- 5 gas burners
- Wok burner
- Front knob control
- One touch ignition
- Flame safety device

Optional Features

- Mirror glass
- Inox burner pans
- Mat enamel burner caps
- Cast iron pan supports
- Metal knobs



BGOGH.31

Standard Features

- 70 cm gas on glass hob
- Plus X Design
- 5 gas burners
- Wok burner
- Front knob control
- One touch ignition
- Flame safety device

Optional Features

- Mat enamel burner pans
- Cast iron burner caps
- Cast iron pan supports
- Metal knobs





BGOGH.07

Standard Features

- 70 cm gas on glass hob
- 5 gas burners
- Front knob control

Optional Features

- Wok burner
- Mirror glass
- Inox burner pans
- Stainless steel frame
- Cast iron pan supports
- Cast iron burner caps
- One touch ignition
- Flame safety device
- Metal knobs

BGOGH.20

Standard Features

- 60 cm gas on glass hob
- Plus X Design
- 4 gas burners
- Front knob control
- One touch ignition
- Flame safety device

Optional Features

- Mat enamel burner pans
- Mat enamel burner caps
- Cast iron pan supports
- Metal knobs



BGOGH.32

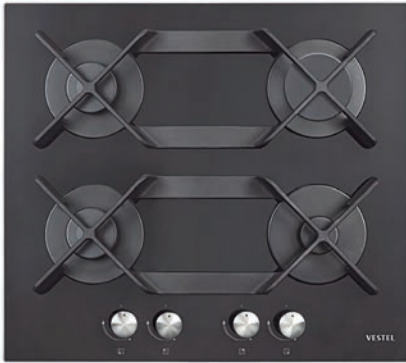
Standard Features

- 60 cm gas on glass hob
- Plus X Design
- 4 gas burners
- Front knob control
- One touch ignition
- Flame safety device

Optional Features

- Wok burner
- Mat enamel burner pans
- Mat enamel burner caps
- Cast iron pan supports
- Metal knobs





BGOGH.19

Standard Features

- 60 cm gas on glass hob
- Plus X Design
- 4 gas burners
- Front knob control
- One touch ignition
- Flame safety device

Optional Features

- Mat enamel burner pans
- Cast iron burner caps
- Cast iron pan supports
- Metal knobs

BGOGH.33

Standard Features

- 60 cm gas on glass hob
- Plus X Design
- 4 gas burners
- Front knob control
- One touch ignition
- Flame safety device

Optional Features

- Mirror glass
- Inox burner pans
- Mat enamel burner caps
- Cast iron pan supports
- Metal knobs



BGOGH.34

Standard Features

- 60 cm gas on glass hob
- Plus X Design
- 4 gas burners
- Front knob control
- One touch ignition
- Flame safety device

Optional Features

- Mirror glass
- Wok burner
- Inox burner pans
- Mat enamel burner caps
- Cast iron pan supports
- Metal knobs



BGOGH.35

Standard Features

- 60 cm gas on glass hob
- Plus X Design
- 4 gas burners
- Front knob control
- One touch ignition
- Flame safety device

Optional Features

- White optical glass
- Wok burner
- Inox burner pans
- Mat enamel burner caps
- Cast iron pan supports
- Metal knobs

BGOGH.36

Standard Features

- 60 cm gas on glass hob
- Plus X Design
- 4 gas burners
- Front knob control
- One touch ignition
- Flame safety device

Optional Features

- White optical glass
- Inox burner pans
- Mat enamel burner caps
- Cast iron pan supports
- Metal knobs



BGOGH.18

Standard Features

- 60 cm gas on glass hob
- Plus X Design
- 3 gas burners and 145 mm hotplate
- Front knob control
- One touch ignition
- Flame safety device
- Enamel burner pans
- Enamel burner caps
- Enamel pan supports

Optional Features

- Metal knobs



BGOGH.21

Standard Features

- 60 cm gas on glass hob
- Plus X Design
- 4 gas burners
- Front knob control
- One touch ignition
- Flame safety device

Optional Features

- Mat enamel burner pans
- Mat enamel burner caps
- Cast iron pan supports
- Metal knobs

BGOGH.09

Standard Features

- 60 cm gas on glass hob
- 4 gas burners
- Front knob control
- Black glass
- Enamel burner pans
- Enamel pan supports
- Enamel burner caps

Optional Features

- One touch ignition
- Flame safety device



BGOGH.37

Standard Features

- 60 cm gas on glass hob
- 4 gas burners
- Front knob control
- Enamel pan supports
- Enamel burner caps
- Flame safety device

Optional Features

- Mirror glass
- Inox burner pans
- One touch ignition





BGOGH.24

Standard Features

Pure Design
60 cm gas on glass and induction hob
Side knob control and Side touch control
2 gas burners
Enamel burner pans, pan supports and burner caps
One touch ignition and Flame safety device
Booster function
2 Ø 160 mm 1400 W / Boost 1800 W induction element

2 Ø 200 mm 2100 W / Boost 2500 W induction element
Pot detection and Automatic heat up
Child lock and Hot surface indicator
Key Lock
Timer

Optional Features

Metal knobs

BGOGH.38

Standard Features

60 cm gas on glass and induction hob - Pure design
Side knob control and side touch control
2 gas burners - One touch ignition - Flame safety device
Ø 160 mm 1400 W / Boost 1800 W induction element
Ø 200 mm 2100 W / Boost 2500 W induction element
Pot detection
Child lock

Hot surface indicator
Touch control interface for induction zones
Key Lock
Timer

Optional Features

Mat enamel burner pans and caps
Cast iron pan supports
Metal knobs
Full inox frame



BGOGH.25

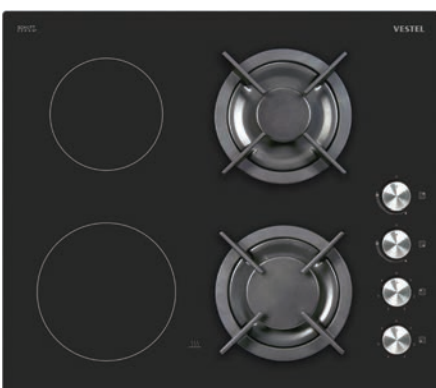
Standard Features

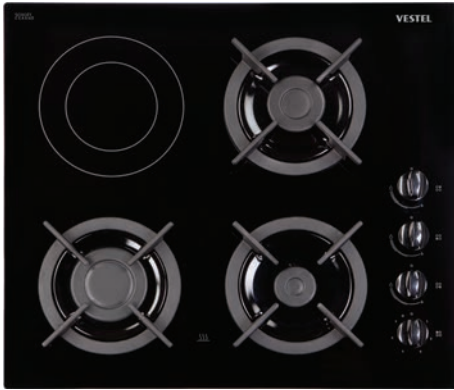
60cm gas on glass and vitroceramic hob
Pure design
Side knob control
2 gas burners
One touch ignition
Flame safety device
Ø 145 mm Highlite Element 1200W

Ø 180 mm Highlite Element 1800W
Hot surface indicator

Optional Features

Mat enamel burner pans
Mat enamel burner caps
Cast iron pan supports
Metal knobs
Full inox frame





BGOGH.23

Standard Features

- Pure Design
- 60 cm gas on glass and vitroceramic hob
- Side knob control
- 3 gas burners
- Enamel burner pans
- One touch ignition
- Flame safety device
- Hot surface indicator

Optional Features

- Cast iron pan supports
- Cast iron burner caps
- Ø 180 mm Dual Highlite Element 700W/1700W

BGOGH.40

Standard Features

- 60 cm gas on glass and vitroceramic hob
- Pure design
- Side knob control
- 2 gas burners
- Enamel burner pans
- Enamel pan supports
- Enamel burner pans
- One touch ignition
- Flame safety device
- Hot surface indicator
- Ø 145 mm Highlite Element

- 1200W
- Ø 180 mm Highlite Element
- 1800W

Optional Features

- Full inox frame



BGOGH.39

Standard Features

- 60 cm gas on glass and vitroceramic hob
- Pure design - Side knob control
- 3 gas burners
- One touch ignition
- Flame safety device
- Ø 180 mm Highlite Element
- 1800W
- Hot surface indicator

Optional Features

- Mat enamel burner pans and caps
- Cast iron pan supports
- Metal knobs
- Full inox frame





BGOGH.43

Standard Features

- 60 cm gas on glass hob
- Division design
- 4 gas burners
- Front knob control
- One touch ignition
- Flame safety device
- Cast iron pan supports
- Enamel burner caps
- Enamel burner caps

Optional Features

- Metal knobs

BGOGH.41

Standard Features

- 60 cm gas on glass hob
- 3 gas burners
- Wok burner
- Side knob control
- One touch ignition
- Flame safety device

Optional Features

- Mat enamel burner pans
- Mat enamel burner caps
- Mat enamel pan supports



BGOGH.05

Standard Features

- 60 cm gas on glass hob
- 4 gas burners
- Side knob control
- Black Glass
- Enamel burner pans
- Flame safety device

Optional Features

- Wok burner
- Cast iron burner caps
- Cast iron pan supports
- One touch ignition





BGOGH.11

Standard Features

- 60 cm gas on glass hob
- 4 gas burners
- Side knob control
- Enamel burner caps
- Enamel pan supports
- Flame safety device

Optional Features

- Inox burner pans
- Inox colored optical glass
- Metal knobs
- One touch ignition

BGOGH.26

Standard Features

- 60 cm gas on glass hob
- 4 gas burners
- Side knob control
- Flame safety device

Optional Features

- Mat enamel burner caps
- Mat enamel pan supports
- Mat enamel burner pans
- White optical glass
- One touch ignition



BGOGH.13

Standard Features

- 60 cm gas on glass hob
- 4 gas burners
- Side knob control

Optional Features

- Wok burner
- Mirror glass
- Inox burner pans
- Cast iron pan supports
- Cast iron burner caps
- One touch ignition
- Flame safety device
- Metal knobs



BGGOGH.16

Standard Features

- 60 cm gas on glass hob
- 4 gas burners
- Side knob control
- Black glass
- Enamel pan supports
- Enamel burner caps
- Inox burner pans

Optional Features

- One touch ignition
- Flame safety device
- Metal knobs

BBGOGH.01

Standard Features

- 60 cm gas on glass hob
- 4 gas burners
- Side knob control
- Enamel burner caps
- Enamel pan supports
- Enamel burner pans
- Flame safety device

Optional Features

- Metal knobs
- One touch ignition



BGOGH.42

Standard Features

- 60 cm gas on glass hob
- 4 gas burners
- Side knob control
- Enamel burner caps
- Enamel pan supports
- Flame safety device

Optional Features

- Inox burner pans
- White optical glass
- Metal knobs
- One touch ignition



BGOGH.27 Rustic

Standard Features

- 60 cm gas on glass hob
- 4 gas burners
- Side knob control
- Flame safety device
- Enamel burner caps
- Enamel pan supports
- Enamel burner pans

Optional Features

- Type-C Rustic design black optical glass
- One touch ignition
- Flame safety device
- Special rustic knobs

BGOGH.12 Rustic

Standard Features

- 60 cm gas on glass hob
- 4 gas burners
- Side knob control
- Flame safety device
- Enamel burner caps
- Enamel pan supports
- Enamel burner pans

Optional Features

- Type-C Rustic design cream optical glass
- One touch ignition
- Flame safety device
- Special rustic knobs



BGOGH.15 Rustic

Standard Features

- 60 cm gas on glass hob
- 4 gas burners
- Side knob control
- Flame safety device
- Enamel burner caps
- Enamel pan supports
- Enamel burner pans

Optional Features

- Type-B Rustic design white optical glass
- One touch ignition
- Flame safety device
- Special rustic knobs





BGH.44

Standard Features

- 70 cm gas hob
- Plus X Design
- 5 gas burners
- Wok burner
- Front knob control
- One touch ignition
- Flame safety device

Optional Features

- Stainless steel
- Glass control panel
- Mat enamel burner caps
- Cast iron pan supports
- Metal knobs - Wok adaptor

BGH.45

Standard Features

- 70 cm gas hob
- Plus X Design
- 5 gas burners
- Wok burner
- Front knob control
- Enamel pan supports
- Enamel burner pans
- One touch ignition
- Flame safety device

Optional Features

- Stainless steel
- Metal knobs
- Wok adaptor



BGH.46

Standard Features

- 70 cm gas hob
- Plus X Design
- 5 gas burners
- Wok burner
- Front knob control
- One touch ignition
- Flame safety device

Optional Features

- Stainless steel
- Mat enamel burner caps
- Cast iron pan supports
- Metal knobs



BGH.17

Standard Features

- 70 cm gas hob
- 5 gas burners
- Front knob control

Optional Features

- Stainless steel hob
- Wok burner
- Cast iron pan supports
- Cast iron burner caps
- Cast iron wok adapter
- One touch ignition
- Flame safety device
- Metal knobs

BGH.18

Standard Features

- 70 cm gas hob
- 5 gas burners
- Front knob control
- White enamel hob
- Enamel pan supports
- Enamel burner caps

Optional Features

- Wok burner
- Button ignition
- Flame safety device
- Enamel wok adapter



BGH.56

Standard Features

- 70cm gas hob
- 5 gas burners
- Front knob control

Optional Features

- Stainless steel hob
- Wok burner
- Cast iron pan supports
- Cast iron burner caps
- One touch ignition
- Flame Safety device





BGH.38

Standard Features

- 70 cm gas hob
- 5 gas burners
- Front knob control
- Enamel pan supports
- Enamel burner caps

Optional Features

- Stainless steel hob
- Button ignition
- Flame safety device

BGH.19

Standard Features

- 70 cm mixed hob
- 4 gas burners
- 145 mm hotplate
- Front knob control

Optional Features

- Black enamel hob
- 1 electric hotplate
- Cast iron pan supports
- Cast iron burner caps
- One touch ignition
- Flame safety device



BGH.23

Standard Features

- 70 cm gas hob
- White enamel hob
- 4 gas burners
- Front knob control
- Enamel pan supports
- Enamel burner caps

Optional Features

- One touch ignition
- Flame safety device



BGH.47

Standard Features

- 60 cm gas hob
- Plus X Design
- 4 gas burners
- Front knob control
- One touch ignition
- Flame safety device

Optional Features

- Stainless steel
- Wok burner
- Mat enamel burner caps
- Cast iron pan supports
- Glass control panel
- Metal knobs

BGH.48

Standard Features

- 60 cm gas hob
- Plus X Design
- 4 gas burners
- Front knob control
- One touch ignition
- Flame safety device

Optional Features

- Stainless steel
- Cast iron burner caps
- Cast iron pan supports
- Glass control panel
- Metal knobs



BGH.49

Standard Features

- 60 cm gas hob
- Plus X Design
- 4 gas burners
- Front knob control
- Enamel pan supports
- Enamel burner pans
- One touch ignition
- Flame safety device

Optional Features

- Stainless steel
- Glass control panel
- Metal knobs



BGH.55

Standard Features

- 60 cm mixed hob
- 4 gas burners
- Front knob control
- Enamel pan supports
- Enamel pan supports
- Flame safety device

Optional Features

- One touch ignition
- Metal knobs

BGH.25

Standard Features

- 60 cm gas hob
- 4 gas burners
- Front knob control

Optional Features

- Stainless steel hob
- Wok burner
- Cast iron burner caps
- Cast iron pan supports
- One touch ignition
- Flame safety device



BGH.34

Standard Features

- 60 cm gas hob
- 4 gas burners
- Front knob control
- Enamel pan supports
- Enamel burner caps

Optional Features

- Black enamel hob
- One touch ignition
- Flame safety device
- Metal knobs

Gas Hobs



BGH.50

Standard Features

- 60 cm gas hob
- Plus X Design
- 4 gas burners
- Front knob control
- Enamel pan supports
- Enamel burner pans
- One touch ignition
- Flame safety device

Optional Features

- Metal knobs

BGH.51

Standard Features

- 60 cm gas hob
- Plus X Design
- 4 gas burners
- Front knob control
- Enamel pan supports
- Enamel burner caps
- One touch ignition
- Flame safety device

Optional Features

- Stainless steel
- Metal knobs



BGH.52

Standard Features

- 60 cm gas hob
- Division design
- 4 gas burners
- Front knob control
- One touch ignition
- Flame safety device
- Cast iron pan supports
- Mat enamel burner caps
- Stainless steel hob

Optional Features

- Metal knobs





BGH.29

Standard Features

- 60 cm gas hob
- Surface design
- 4 gas burners
- Side knob control
- Enamel pan supports
- Enamel burner caps
- Flame safety device

Optional Features

- Stainless steel hob
- One touch ignition

BGH.02

Standard Features

- 60 cm gas hob
- Surface design
- 3 gas burners
- Ø 180mm hotplate
- Side knob control
- Flame safety device

Optional Features

- Stainless steel hob
- One touch ignition
- Cast iron pan supports
- Cast iron burner caps
- Metal knobs



BGH.03

Standard Features

- 60 cm mixed hob
- 3 gas burners
- 180 mm hotplate
- Side knob control
- Enamel pan supports
- Enamel burner caps

Optional Features

- Stainless steel hob
- Electric hotplate
- One touch ignition
- Flame safety device



BGH.05

Standard Features

- 60 cm gas hob
- Surface design
- 4 gas burners
- Side knob control
- Enamel pan supports
- Enamel burner caps
- Flame safety device
- White enamel hob

Optional Features

- One touch ignition

BGH.07

Standard Features

- 60 cm gas hob
- Surface design
- 3 gas burners
- Ø 180mm hotplate
- Side knob control
- Enamel pan supports
- Enamel burner caps
- Flame safety device
- White enamel hob

Optional Features

- One touch ignition



BGH.08

Standard Features

- 60 cm gas hob
- White enamel hob
- 4 gas burners
- Side knob control
- Enamel pan supports
- Enamel burner caps

Optional Features

- One touch ignition
- Flame safety device





BGH.09

Standard Features

- 60 cm gas hob
- Surface design
- 4 gas burners
- Side knob control
- Flame safety device

Optional Features

- Stainless steel hob
- One touch ignition
- Wok burner
- Cast iron pan supports
- Cast iron burner caps

BGH.10

Standard Features

- 60 cm gas hob
- Surface design
- 3 gas burners
- Ø 180mm hotplate
- Side knob control
- Flame safety device

Optional Features

- One touch ignition
- Black enamel hob
- Cast iron pan supports
- Cast iron burner caps
- Mat black knobs



BGH.01

Standard Features

- 60 cm gas hob
- Surface design
- 4 gas burners
- Side knob control
- Flame safety device

Optional Features

- Stainless steel hob
- One touch ignition
- Metal knobs
- Cast iron pan supports
- Cast iron burner caps

Gas Hobs



BGH.43

Standard Features

- 60 cm gas hob
- Extenda design
- 4 gas burners
- Side knob control
- Flame safety device

Optional Features

- Stainless steel
- Cast iron burner caps
- Cast iron pan supports
- One touch ignition
- Metal knobs

BGH.53

Standard Features

- 60 cm mixed hob
- Smoothline design
- 3 gas burners
- Ø 180 mm hotplate
- Side knob control
- Enamel pan supports
- Enamel burner caps
- Flame safety device

Optional Features

- One touch ignition



BGH.54

Standard Features

- 60 cm gas hob
- Smoothline design
- 4 gas burners
- Side knob control
- Enamel pan supports
- Enamel burner caps
- Flame safety device

Optional Features

- Black enamelled hob
- One touch ignition



BGH.40

Standard Features

- Smoothline design
- 60 cm gas hob
- 4 gas burners
- Side Knob control
- Enamel pan supports
- Enamel burner caps

Optional Features

- Stainless steel hob
- Button ignition
- Flame safety device
- Metal knobs

BGH.39

Standard Features

- Smoothline design
- 60 cm gas hob
- 4 gas burners
- Side Knob control
- Enamel pan supports
- Enamel burner caps
- White enamel hob

Optional Features

- One touch ignition
- Flame safety device



BGH.41

Standard Features

- Smoothline design
- 60 cm gas hob
- 4 gas burners
- Side Knob control
- Enamel pan supports
- Enamel burner caps

Optional Features

- TDF enamel hob
- One touch ignition
- Flame safety device
- Black knobs



BGH.30 Rustic

Standard Features

- 60 cm gas hob
- Surface design
- 4 gas burners
- Side knob control
- Flame safety device
- Enamel pan supports
- Enamel burner caps

Optional Features

- Type-A Rustic design
- Special rustic knobs
- One touch ignition
- Black enamel hob

BGH.31 Rustic

Standard Features

- 60 cm gas hob
- Surface design
- 4 gas burners
- Side knob control
- Flame safety device
- Enamel pan supports
- Enamel burner caps
- White enamel hob

Optional Features

- Type-A Rustic design
- One touch ignition



BGH.28 Rustic

Standard Features

- 60 cm gas hob
- Surface design
- 4 gas burners
- Side knob control
- Flame safety device

Optional Features

- Type-B Rustic design
- Special rustic knobs
- One touch ignition
- Black enamel hob
- Cast iron pan supports
- Cast iron burner caps





BEH.01

Standard Features

- 60cm electric hob
- Surface design
- 4 solid hotplates
(2x145mm)+(2x180mm)
- Side knob control

Optional Features

- Stainless steel hob
- Black knobs

BEH.02

Standard Features

- 60cm electric hob
- Surface design
- 4 solid hotplates
(2x145mm)+(2x180mm)
- Side knob control

Optional Features

- Stainless steel hob
- Inox painted knobs



BEH.05

Standard Features

- 60cm electric hob
- Smoothline design
- 4 solid hotplates
(2x145mm)+(2x180mm)
- Side knob control

Optional Features

- Stainless steel hob





BCH.01

Features

60 cm electrical combi hob
White enamel hob
Combination with oven
4 solid hotplates
(2x145mm) + (2x180mm)

BCH.02

Features

60 cm electrical combi hob
Black enamel hob
Combination with oven
4 solid hotplates
(2x145mm) + (2x180mm)



BCH.03

Features

60 cm electrical combi hob
Stainless steel hob
Combination with oven
4 solid hotplates (2x145mm)
+ (2x180mm)
2 rapid hotplates





DVHS2.02 Domino Series 2

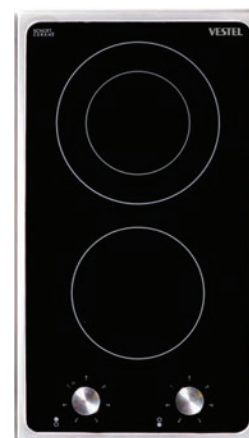
Features

- 30 cm ceramic hob
- Domino series 2 design
- Front touch control
- Ø 145 mm Highlite Element 1200W
- Ø 180 mm Dual Highlite Element 700W/1700W
- Hot surface indicator

DVHS2.01 Domino Series 2

Features

- 30 cm ceramic hob
- Domino series 2 design
- Front knob control
- Ø 145 mm Highlite Element 1200W
- Ø 180 mm Dual Highlite Element 700W/1700W
- Hot surface indicator light
- Metal knobs



DEHS2.02 Domino Series 2

Features

- 30 cm electric hob
- Domino series 2 design
- Front knob control
- Ø 145 mm solid hotplate
- Ø 180 mm rapid hotplate
- Metal knobs
- Mechanical timer
- 1 rapid zone



DEHS2.01 Domino Series 2

Features

- 30 cm electric hob
- Domino series 2 design
- Front knob control
- Ø 145 mm solid hotplate
- Ø 180 mm rapid hotplate
- Metal knobs

DGHS2.01 Domino Series 2

Features

- 30 cm gas on glass hob
- Domino series 2 design
- Black glass
- 2 gas burners
- Cast iron pan supports
- Cast iron burner caps
- Inox burner pans
- One touch ignition
- Flame safety device



DGHS2.04 Domino Series 2

Features

- 30 cm gas hob
- Domino series 2 design
- Stainless steel hob
- 2 gas burners
- Cast iron pan supports
- Cast iron burner caps
- One touch ignition
- Flame safety device



DGHS2.03.Domino Series 2

Features

- 30 cm gas on glass hob
- Domino series 2 design
- Black glass
- 2 gas burners
- Enamel pan supports
- Enamel burner caps
- Inox burner pans
- One touch ignition
- Flame safety device

DGHS2.06 Domino Series 2

Features

- 30 cm gas hob
- Domino series 2 design
- Stainless steel hob
- 2 gas burners
- Enamel pan supports
- Enamel burner caps
- One touch ignition
- Flame safety device



DGHS2.02.Domino Series 2

Features

- 30 cm gas on glass hob
- Domino series 2 design
- Black glass
- Wok burner
- Cast iron pan support
- Cast iron burner caps
- Inox burner pan
- One touch ignition
- Flame safety device





DGHS2.05 Domino Series 2

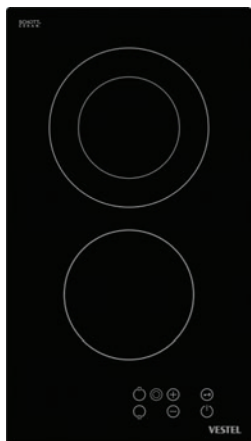
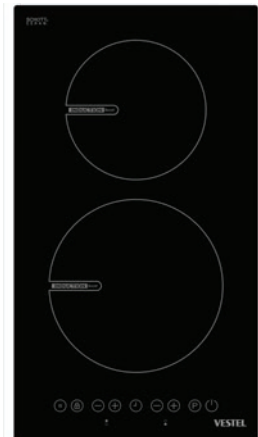
Features

- 30 cm gas hob
- Domino series 2 design
- Stainless steel hob
- Wok burner
- Cast iron pan support
- Cast iron burner caps
- One touch ignition
- Flame safety device
- Metal knob

DIHS1.01 Domino Series 1

Features

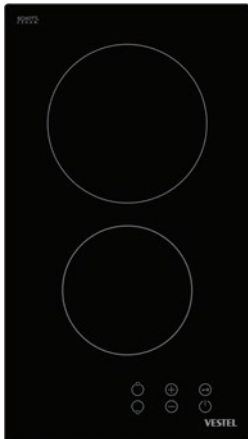
- 30 cm induction hob
- Front touch control
- Booster function
- Ø 160 mm 1400 W / Boost
- 1800 W induction element
- Ø 200 mm 2100 W / Boost
- 2500 W induction element
- Pot detection
- Automatic heat up
- Child lock
- Hot surface indicator
- Timer



DVHS1.03 Domino Series 1

Features

- 30 cm ceramic hob
- Front touch control
- Ø 145 mm Highlite Element
- 1200W
- Ø 180 mm Dual Highlite
- Element 700W/1700W
- Child lock
- Hot surface indicator
- Key lock
- Smart Pause



DVHS1.05 Domino Series 1

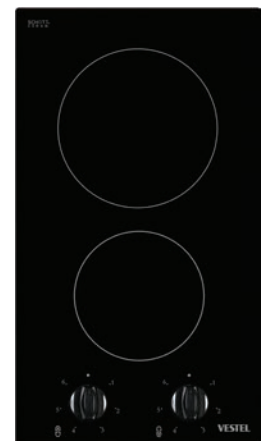
Features

- 30 cm ceramic hob
- Front touch control
- Ø 145 mm Highlite Element
1200W
- Ø 180 mm Highlite Element
1800W
- Child lock
- Hot surface indicator

DVHS1.01 Domino Series 1

Features

- 30 cm ceramic hob
- Front knob control
- Ø 145 mm Highlite Element
1200W
- Ø 180 mm Highlite Element
1800W
- Hot surface indicator light



DGHS1.03 Domino Series 1

Features

- 30 cm gas on glass hob
- Domino series 1 design
- Black glass
- 2 gas burners
- Cast iron pan supports
- Cast iron burner caps
- Inox burner pans
- One touch ignition
- Flame safety device





DGHS1.04 Domino Series 1

Features

- 30 cm gas on glass hob
- Domino series 1 design
- Black glass
- Wok burner
- Cast iron pan support
- Cast iron burner caps
- Inox burner pan
- One touch ignition
- Flame safety device

DGHS1.01 Domino Series 1

Features

- 30 cm gas on glass hob
- Domino series 1 design
- Black glass
- 2 gas burners
- Enamel pan supports
- Enamel burner caps
- Enamel burner pans
- One touch ignition
- Flame safety device



DGHS1.02 Domino Series 1

Features

- 30 cm gas on glass hob
- Domino series 1 design
- Black glass
- 2 gas burners
- Cast iron pan supports
- Cast iron burner caps
- Enamel burner pans
- One touch ignition
- Flame safety device

Table Top Hob Specifications

TABLE TOP HOB SPECIFICATION SHEET		Table Top Gas Hob			Table Top Electric Hob	
		60cm S66	60cm S60	60cm S60 Gas on Glass	60cm S66	60cm S60
Colors						
White	Cooktop	Standard	Standard	Optional	Standard	Standard
Brown		Optional	Optional	Optional	Optional	Optional
Terre de France		Optional	Optional	Optional	Optional	Optional
Black		Optional	Optional	Standard	Optional	Optional
Dark Green		Optional	Optional	Optional	Optional	Optional
Stainless Steel	Table top frame	Optional	Optional	-	Optional	Optional
Black		Optional	-	Standard	Optional	-
White		Standard	-	Optional	Standard	-
Inox Frame		Optional	-	Optional	Optional	-
Stainless Steel		Optional	-	Optional	Optional	-
Product Dimensions						
Height (pan support not included)	mm	95.7	56.6	60	95.7	56.6
Width	mm	582	580	597	582	580
Depth	mm	528.7	510	526	528.7	510
Hob Features						
Hob		Enamel	Enamel	Glass	Enamel	Enamel
Rapid Gas Burner Ø10cm	W	3000	3000	3000	-	-
Semi-rapid Gas Burner Ø7.5cm	W	1750	1750	1750	-	-
Auxiliary Gas Burner Ø5.5cm	W	1000	1000	1000	-	-
Wok (Triple Flame) Gas Burner Ø14cm	W	3800	3600	3600	-	-
Wok (Triple Flame) Gas Burner Ø11cm		-	-	-	-	-
Ø 145 mm Hotplate	W	-	-	-	1000	1000
Ø 180 mm Hotplate	W	1500	1500	1500	1500	1500
Ø 145 mm Rapid Hotplate	W	-	-	-	1500	1500
Ø 180 mm Rapid Hotplate	W	-	-	2000	2000	2000
Hotplate Operation Indicator Light		Standard	Standard	Standard	Standard	Standard
Side Knob Control		Standard	Standard	Standard	Standard	Standard
Front Knob Control		-	-	-	-	-
Double Side Front Control		-	-	-	-	-
Bevelled Edges		-	-	-	-	-
Logo		Standard	Standard	Standard	Standard	Standard
Glass Lid		Optional	Optional	-	Optional	Optional
Burner Safety Valves		Standard	Standard	Standard	-	-
Button Ignition		Optional	Optional	-	-	-
One-touch-ignition through knobs		Optional	Optional	Optional	-	-
Enamel Pan Supports		Standard	Standard	Standard	-	-
Cast Iron Pan Supports		Optional	Optional	Optional	-	-
Cast Iron Burner Caps		Optional	Optional	Optional	-	-
Coffee Adaptor		Optional	Optional	Optional	-	-
Wok Adaptor		Optional	Optional	Optional	-	-
Gas Conversion Kit		Standard	Standard	Standard	-	-
Others						
Total Gas Power (Depends on Model) Maximum	kW	8,3	8,1	8,1	-	-
Total Electric Power (Depends on Model) Maximum	kW	1500	1500	-	6	6
Voltage	V	230V~	230V~	230V~	230 / 400V 3N~	230 / 400V 3N~
RoHS Compliance		Standard	Standard	Standard	Standard	Standard
CE Compliance		Standard	Standard	Standard	Standard	Standard
Carton Box Packaging		Standard	Standard	Standard	Standard	Standard
Packed Product Dimensions (WxDxH)	mm	647x640x133	647x640x133	642x640x133	647x640x133	647x640x133
Net Weight (Depends on Model) Maximum	kg	13	12,4	14,5	13,5	13,1
Gross Weight (Depends on Model) Maximum	kg	14,25	13,5	15,75	14,75	14,2
Container Loading Quantity (20 ft Container)	pcs	459	459	459	459	459
Container Loading Quantity (40 ft Container)	pcs	918	918	918	918	918
Container Loading Quantity (40 ft HC Container)	pcs	1026 / 1080(ATAG)	1026 / 1080(ATAG)	1026	1026 / 1080(ATAG)	1026 / 1080(ATAG)

Table Top Hob Details

Table Top Hob Designs



New Generation Gas on Glass Design



New Generation Design



Standard Design

Table Top Hob Aesthetics



New Generation Gas on Glass
Table Top Hob Aesthetic



New Generation Table Top
Hob Aesthetic



Standard Design "S-Type"
Table Top Hob Aesthetic



Standard Design "R-Type"
Table Top Hob Aesthetic



Standard Design "Smoothline"
Table Top Hob Aesthetic



Standard Design "Surface"
Table Top Hob Aesthetic

Table Top Frame Color



White Painted



Black Painted



Inox Painted



Silver Painted



Stainless Steel
(only available for Gas
Table Top Hob)

TTGGH-S2.01



Standard Features

- 60cm gas on glass table top hob
- 4 gas burners
- Front knob control
- Enamel burner pan
- Enamel burner caps and pan supports
- Flame Safety Device

Optional Features

- White optical glass cooktop
- White table top frame
- One touch ignition
- Inox clad knobs

TTGGH-S2.02

Standard Features

- 60cm gas on glass table top hob
- 3 gas burners and 145mm hotplate
- Front knob control
- Black glass cooktop
- Black table top frame
- Enamel burner pan supports
- Flame Safety Device

Optional Features

- Cast Iron burner caps
- Cast Iron pan supports
- One touch ignition
- Stainless steel table top frame
- Inox clad knobs



TTGGH-S2.03



Standard Features

- 60cm gas on glass table top hob
- 4 gas burners
- Front knob control
- Black glass cooktop
- Black table top frame
- Enamel burner pan supports
- Flame Safety Device

Optional Features

- Wok Burner
- Cast Iron burner caps
- Cast Iron pan supports
- One touch ignition
- Inox clad knobs



TTGH-S2.01

Standard Features

- 60 cm table top gas hob
- New generation table top hob design
- 4 gas burners
- Side knob control
- Enamel cooktop
- Enamel burner pan supports
- Flame Safety Device

Optional Features

- One touch ignition

TTEH-S2.01

Standard Features

- 60 cm table top electric hob
- New generation table top hob design
- 4 solid hotplates (2x145mm)+(2x180mm)
- Side knob control
- Enamel cooktop

Optional Features

- Rapid Hotplates (145mm and 180 mm)



TTGH-S2.02

Standard Features

- 60 cm table top gas hob
- New generation table top hob design
- 4 gas burners
- Side knob control
- Flame Safety Device

Optional Features

- Stainless steel cooktop
- Wok Burner
- One touch ignition
- Cast iron pan support
- Cast iron burner caps
- Glass cover lid
- Inox painted knobs

TTGH-S1.01



Standard Features

- 60 cm table top gas hob
- Standard type table top hob design
- Flat R-type cooktop aesthetics
- 3 gas burners
- Ø180mm hotplate
- Side knob control
- Enamel pan supports and burner caps
- Flame Safety Device

Optional Features

- Stainless steel cooktop
- Inox painted table top frame
- One touch ignition
- Black Knobs

TTEH-S1.02

Standard Features

- 60 cm table top electrical hob
- Standard type table top hob design
- Flat S-type cooktop aesthetics
- 4 solid hotplates
(2x145mm)+(2x180mm)
- Side knob control

Optional Features

- Stainless steel cooktop
- Inox clad knobs
- Inox painted table top frame



TTGH-S1.02



Standard Features

- 60 cm table top gas hob
- Standard type table top hob design
- Smootline cooktop aesthetics
- 3 gas burners
- Ø145mm hotplate
- Side knob control
- Enamel cooktop
- Enamel burner pan supports
- Flame Safety Device

Optional Features

- One touch ignition
- Inox painted knobs



TTGH-S1.03

Standard Features

- 60 cm table top gas hob
- Standard type table top hob design
- Smoothline cooktop aesthetics
- 4 gas burners
- Side knob control
- Enamel burner caps and pan supports
- Flame Safety Device

Optional Features

- Stainless steel cooktop
- One touch ignition
- Inox painted knobs
- Inox painted table top frame

TTGH-S1.04

Standard Features

- 60 cm table top gas hob
- Standard type table top hob design
- Flat R-type cooktop aesthetics
- 4 gas burners
- Side knob control
- Enamel cooktop
- Enamel burner caps and pan supports
- Flame Safety Device

Optional Features

- One touch ignition
- Glass lid



TTGH-S1.05

Standard Features

- 60 cm table top gas hob
- Standard type table top hob design
- Surface cooktop aesthetics
- 4 gas burners
- Side knob control
- Flame Safety Device

Optional Features

- Stainless steel cooktop
- Wok Burner
- Cast Iron burner caps and pan supports
- One touch ignition
- Inox painted table top frame
- Glass lid
- Black knobs



Refrigerator Models		3320	3310	2610	2400				2500
Category		7	7	7	7				
Climatic Class		N (16°C-32°C)	T/N (16°C-43°C)	BGN (16 °C-32°C)	N (16 °C-32°C)		RT/N (16 °C-43°C)		N (16 °C-32°C)
Energy Class		A+	A+	A+	A+	A	A	B	A+
Volume Total(gross)	lt	235	235	217	195	195	195	195	206
Volume Total(net)	lt	226	216	214	192	192	192	192	204
Volume refrigerator (gross)	lt	160	160	179	178	178	178	178	206
Volume refrigerator (net)	lt	158	158	176	175	175	175	175	204
Volume Freezer(gross)	lt	75	75	38	17	17	17	17	0
Volume Freezer(net)	lt	68	58	38	17	17	17	17	0
Chiller Volume(net)	lt	-	-	-	-	-	-	-	-
Performance(star rating)		4	4	4	4	4	4	4	-
Energy consumption	kWh/24h	0,704	0,778	0,653	0,602	0,744	0,803	1,099	0,363
Energy consumption	kWh/year	257	284	238	220	272	293	401	133
Freezing capacity	kg/24h	3	2,6	2	2	2	2	2	-
Temperature rise time(-18oC to -9oC)	mins	1140	750	960	664	664	690	690	-
Noise Emission	dB (A)	42	43	42	42	42	41	41	39
Defrost system type Frigde/Freezer		Manual	Automatic	Automatic / Manual	Automatic / Manual	Automatic / Manual	Automatic / Manual	Automatic / Manual	Automatic
Built in		YES	YES	YES	YES	YES	YES	YES	YES
Product dimensions(WxDxH)	mm	540X545X1770	540X545X1770	540x 545x 1445	540x 545x 1225	540x 545x 1225	540x 545x 1225	540x 545x 1225	540x 545x 1225
Packaged dims (WxDxH) (double-wave carton pack) / standard	mm	584x 600x 1834	584x 600x 1834	584x 600x 1509	584X600X1289	584X600X1289	584X600X1289	584X600X1289	584x 600x 1289
Loading quantity / 40ft.HC	pcs	100	100	133	160	160	160	160	160
Refrigerating gas		R600a	R600a	R600a	R600a	R600a	R134	R134	R600a

Refrigerator Models		2500		1800		1900		1400	
Category		1		7		1		7	
Climatic Class		N (16 °C-32°C)	T/N (16 °C-43°C)	N (16 °C-32°C)		N (16 °C-32°C)	T/N (16 °C-43°C)	N(16 °C-32°C)	
Energy Class		A	A+	A+	A	A	A+	A+	A
Volume Total(gross)	lt	206	206	153	153	162	162	126	126
Volume Total(net)	lt	204	204	150	150	160	160	123	123
Volume refrigerator (gross)	lt	206	206	136	136	162	162	109	109
Volume refrigerator (net)	lt	204	204	133	133	160	160	106	106
Volume Freezer(gross)	lt	0	0	17	17	0	0	17	17
Volume Freezer(net)	lt	0	0	17	17	0	0	17	17
Chiller Volume(net)	lt	-	-	-	-	-	-	-	-
Performance(star rating)		-	-	4	4	-	-	4	4
Energy consumption	kWh/24h	0,445	0,377	0,555	0,685	0,427	0,359	0,524	0,647
Energy consumption	kWh/year	163	138	203	250	156	131	191	236
Freezing capacity	kg/24h	-	-	2	2	-	-	2	2
Temperature rise time(-18oC to -9oC)	mins	-	-	720	720	-	-	650	650
Noise Emission	dB (A)	42	39	41	41	41	39	41	41
Defrost system type Frigde/Freezer		Automatic	Automatic	Automatic / Manual	Automatic / Manual	Automatic	Automatic	Automatic / Manual	Automatic / Manual
Built in		YES	YES	YES	YES	YES	YES	YES	YES
Product dimensions(WxDxH)	mm	540x 545x 1225	540x 545x 1225	540X545X1020	540X545X1020	540X545X1020	540X545X1020	540x 545x 875	540x 545x 875
Packaged dims (WxDxH) (double-wave carton pack) / standard	mm	584x 600x 1289	584x 600x 1289	584X600X1084	584X600X1084	584X600X1084	584X600X1084	584x 600x 939	584x 600x 939
Loading quantity / 40ft.HC	pcs	160	160	160	160	160	160	205	205
Refrigerating gas		R600a	R600a	R600a	R600a	R600a	R600a	R600a	R600a

Refrigerator Models		1400			1500			1450	
Category		7			1			8	
Climatic Class		ST/N(16 °C-32°C)	T/N (16 °C-43°C)		N (16 °C-32°C)			ST/N(16 °C-32°C)	
Energy Class		A++	A	B	A++	A+	A	A+	B
Volume Total(gross)	lt	126	126	126	137	137	137	109	109
Volume Total(net)	lt	123	123	123	136	136	136	99	99
Volume refrigerator (gross)	lt	109	109	109	137	137	137	0	0
Volume refrigerator (net)	lt	106	106	106	136	136	136	0	0
Volume Freezer(gross)	lt	17	17	17	0	0	0	109	109
Volume Freezer(net)	lt	17	17	17	0	0	0	99	99
Chiller Volume(net)	lt	-	-	-	-	-	-	-	-
Performance(star rating)		4	4	4	-	-	-	4	4
Energy consumption	kWh/24h	0,393	0,687	0,94	0,255	0,34	0,416	0,561	0,693
Energy consumption	kWh/year	143	251	343	93	124	152	205	253
Freezing capacity	kg/24h	2	2	2	-	-	-	8	8
Temperature rise time(-18oC to -9oC)	mins	650	594	594	-	-	-	660	660
Noise Emission	dB (A)	41	43	43	39	41	41	39	39
Defrost system type Frigde/Freezer		Automatic / Manual	Automatic / Manual	Automatic / Manual	Automatic	Automatic	Automatic	Manual	Manual
Built in		YES	YES	YES	YES	YES	YES	YES	YES
Product dimensions(WxDxH)	mm	540x 545x 875	540x 545x 875	540x 545x 875	540x 545x 875	540x 545x 875	540x 545x 875	540x 545x 875	540x 545x 875
Packaged dims (WxDxH) (double-wave carton pack) / standard	mm	584x 600x 939	584x 600x 939	584x 600x 939	584X600X939	584X600X939	584X600X939	584X600X939	584X600X939
Loading quantity / 40ft.HC	pcs	205	205	205	205	205	205	205	205
Refrigerating gas		R600a	R134	R134	R600a	R600a	R600a	R600a	R600a

Refrigerator Models		1700		1650		1600	
Category		1		8		7	
Climatic Class		SN (10 °C-32°C)		SN (10 °C-32°C)		BGSN (10 °C-32°C)	
Energy Class		A+	A	A+	A	A+	A+
Volume Total(gross)	lt	136	136	107	107	120	
Volume Total(net)	lt	133	133	95	95	115	
Volume refrigerator (gross)	lt	136	136	0	0	102	
Volume refrigerator (net)	lt	133	133	0	0	98	
Volume Freezer(gross)	lt	0	0	107	107	18	
Volume Freezer(net)	lt	0	0	95	95	17	
Chiller Volume(net)	lt	-	-	-	-	-	
Performance(star rating)		-	-	4	4	4	
Energy consumption	kWh/24h	0,332	0,415	0,511	0,64	0,491	
Energy consumption	kWh/year	121	152	187	234	179	
Freezing capacity	kg/24h	-	-	9	9	2	
Temperature rise time(-18oC to -9oC)	mins	-	-	1080	1080	626	
Noise Emission	dB (A)	44	44	44	44	44	
Defrost system type Frigde/Freezer		Automatic	Automatic	Manual	Manual	Automatic/Manual	
Built in		YES	YES	YES	YES	YES	
Product dimensions(WxDxH)	mm	595X548X818	595X548X818	595X548X818	595X548X818	595X548X818	
Packaged dims (WxDxH) (double-wave carton pack) / standard	mm	659X586X883	659X586X883	659X586X883	659X586X883	659X586X883	
Loading quantity / 40ft HC	pcs	214	214	214	214	214	
Refrigerating gas		R600a	R600a	R600a	R600a	R600a	

Category	Designation
1	Refrigerator with one or more fresh-food storage compartments
2	Refrigerator-cellar, Cellar and Wine storage appliances
3	Refrigerator-chiller and Refrigerator with a 0-star compartment
4	Refrigerator with a one-star compartment
5	Refrigerator with a two-star compartment
6	Refrigerator with a three-star compartment
7	Refrigerator-freezer
8	Upright freezer
9	Chestfreezer
10	Multi-use and the other refrigerating appliances

Household refrigerating appliances that cannot be classified in categories 1 to 9 because of compartment temperature are classified in category 10.

SEMI INTEGRATED 60cm Models	SC11	SC12	SC13	SC14	SC15	SC16	SC21	SC31	SC41
General Characteristics									
Number of Place Settings	12	12	12	12	12	12	12	12	12/15
Number of programs	2	3	4	5	6	7	6	7	9+
Temperatures (°C)	50-65	50-65	40-50-65	40-50-65-70	40-50-65-70	40-50-65-70	40-50-65-70	40-50-65-70	Auto -30-40-50-60-70
Control type	full-electronic	full-electronic	full-electronic	full-electronic	full-electronic	full-electronic	full-electronic	full-electronic	full-electronic
Hidden heating element	Yes	Yes	Yes	Yes	Yes	Yes	Yes	Yes	Yes
Filter type	Metal / Plastic	Metal / Plastic	Metal / Plastic	Metal / Plastic	Metal / Plastic	Metal / Plastic	Metal / Plastic	Metal / Plastic	Metal / Plastic
Turbidity sensor	No	No	No	No	No	No	No	No	Yes
Drying System	Natural/Active	Natural/Active	Natural/Active	Natural/Active	Natural/Active	Natural/Active	Natural/Active	Natural/Active	Active/Turbo****
Overflow/leakage protection	Yes	Yes	Yes	Yes	Yes	Yes	Yes	Yes	Yes
Heater protection	Yes	Yes	Yes	Yes	Yes	Yes	Yes	Yes	Yes
Programmes									
Prewash	No	No	No	No	Yes	Yes	Yes(separate function button)	Yes(separate function button)	Yes(separate function button)
Eco 50°C	Yes	Yes	Yes	Yes	Yes	Yes	Yes	Yes	Yes
Intensive 65°C	Yes	Yes	Yes	Yes	Yes	Yes	Yes	Yes	No
Quick 30' 40°	No	No	Yes	Yes	Yes	Yes	Yes	Yes	Yes
Super 50' 65 °C	No	Yes	Yes	Yes	Yes	Yes	Yes	Yes	No
Super 55' 60 °C	No	No	No	No	No	No	No	No	Yes
Delicate 40°C	No	No	No	No	No	Yes	No	Yes	No
Normal 65°C	No	No	No	No	No	No	No	No	No
Auto delicate 30-50	No	No	No	No	No	No	No	No	Yes
Auto normal 50-60	No	No	No	No	No	No	No	No	Yes
Auto intensive 60-70	No	No	No	No	No	No	No	No	Yes
Hygiene 60°C	No	No	No	No	No	No	No	No	Yes
Hygiene 70°C	No	No	No	Yes	Yes	Yes	No	No	No
Extra Intensive 70°C (Prewash+Intensive 65°C)	No	No	No	No	No	No	Yes	Yes	No
Extra Hygiene 70°C (Prewash+Hygiene 60°C)	No	No	No	No	No	No	No	No	Yes
User interface									
Start/Pause	Yes	Yes	Yes	Yes	Yes	Yes	Yes	Yes	Yes
Prewash button	No	No	No	No	No	No	Yes	Yes	Yes
Delay timer button	No	No	No	No	No	No	Yes	Yes	Yes
Half load button (1 modes)	(o)	(o)	(o)	(o)	(o)	(o)	No	No	No
Half load button (with 3 modes)	No	No	No	No	No	No	No	Yes	Yes
Tablet button	No	No	No	No	No	No	No	No	Yes
DISPLAY (delay start (19hrs) , remaining time)	No	No	No	No	No	No	No	No	Yes
Rinse-aid indicator	(o)	(o)	(o)	(o)	(o)	(o)	Yes	Yes	Yes
Salt indicator	(o)	(o)	(o)	(o)	(o)	(o)	Yes	Yes	Yes
Washing cycle indicators	Yes	Yes	Yes	Yes	Yes	Yes	Yes	Yes	Yes
Child Lock	No	No	No	No	No	No	Yes	Yes	Yes
Baskets&Accessories									
3rd basket	No	No	No	No	No	No	No	No	No(12ps), Yes (15ps)
Upper basket types [mesh type (*) / peg type (**)]	(o)	(o)	(o)	(o)	(o)	(o)	(o)	(o)	(o)
Adjustable upper basket when empty	(o)	(o)	(o)	(o)	(o)	(o)	(o)	(o)	(o)
Adjustable upper basket when loaded	(o)	(o)	(o)	(o)	(o)	(o)	(o)	(o)	(o)
Number of mug shelves	2 (std) / 4 (o)	2 (std) / 4 (o)	2 (std) / 4 (o)	2 (std) / 4 (o)	2 (std) / 4 (o)	2 (std) / 4 (o)	2 (std) / 4 (o)	2 (std) / 4 (o)	2 (std) / 4 (o)
Adjustable mugshelves (**)	Yes	Yes	Yes	Yes	Yes	Yes	Yes	Yes	Yes
Adjustable mugshelves (*)	(o)	(o)	(o)	(o)	(o)	(o)	(o)	(o)	(o)
Foldable racks on upper basket (**)	2 or 4 or 6 (o)	2 or 4 or 6 (o)	2 or 4 or 6 (o)	2 or 4 or 6 (o)	2 or 4 or 6 (o)	2 or 4 or 6 (o)	2 or 4 or 6 (o)	2 or 4 or 6 (o)	2 or 4 or 6 (o)
Foldable racks on lower basket	(o)	(o)	(o)	(o)	(o)	(o)	(o)	(o)	(o)
Wire basket handles	(o)	(o)	(o)	(o)	(o)	(o)	(o)	(o)	(o)
Plastic basket handles	(o)	(o)	(o)	(o)	(o)	(o)	(o)	(o)	(o)
Removable cutlery basket (single piece)	Yes	Yes	Yes	Yes	Yes	Yes	Yes	Yes	Yes (12ps)
Removable cutlery basket (MODULAR)****	(o)	(o)	(o)	(o)	(o)	(o)	(o)	(o)	(o)
Multi func. Kit (Extra mug shelves+higher rear part+holder on lower basket)	(o)	(o)	(o)	(o)	(o)	(o)	(o)	(o)	(o)
Wine stem support on upper basket****	(o)	(o)	(o)	(o)	(o)	(o)	(o)	(o)	(o)
Top nozzle	No	No	No	No	No	No	No	(o)	(o)
Aquastop external hose	(o)	(o)	(o)	(o)	(o)	(o)	(o)	(o)	(o)
Interior Light	No	No	No	No	No	No	No	No	(o)
Performance *									
Noise Level (dBA)	57/54/52/49/47/45	57/54/52/49/47/45	57/54/52/49/47/45	57/54/52/49/47/45	57/54/52/49/47/45	57/54/52/49/47/45	57/54/52/49/47/45	57/54/52/49/47/45	54/52/49/47/45
Energy efficiency class	A*	A*	A*	A*	A*	A*	A*	A*	A**
Cleaning performance	A	A	A	A	A	A	A	A	A
drying performance	A	A	A	A	A	A	A	A	A
Water consumption (lt)	12	12	12	12	12	12	12	9	9
Annual water consumption (lt/year)	3360	3360	3360	3360	3360	3360	3360	2520	2520
Programme duration (min)	165	165	165	165	155	155	155	162	162
Energy consumption (kWh)	1	1	1	1	1	1	1	1	0.90 / 0.94
Annual energy consumption (kwh/year)***	285	285	285	285	285	285	285	285	258 / 267
Voltage (V) / Frequency (Hz)	220-240 / 50	220-240 / 50	220-240 / 50	220-240 / 50	220-240 / 50	220-240 / 50	220-240 / 50	220-240 / 50	220-240 / 50
Fuse Rating (A)	10	10	10	10	10	10	10	10	10
Dimensions									
Height (cm)	81,5	81,5	81,5	81,5	81,5	81,5	81,5	81,5	81,5
Width (cm)	59,6	59,6	59,6	59,6	59,6	59,6	59,6	59,6	59,6
Depth (cm)	57,3	57,3	57,3	57,3	57,3	57,3	57,3	57,3	57,3
Height adjustment (+cm)	5,5	5,5	5,5	5,5	5,5	5,5	5,5	5,5	5,5
Height without worktop (cm)									
Packed dimensions (Height x Width x Depth) (cm)	85,1 x 64,4 x 66, 1	85,1 x 64,4 x 66, 1	85,1 x 64,4 x 66, 1	85,1 x 64,4 x 66, 1	85,1 x 64,4 x 66, 1	85,1 x 64,4 x 66, 1	85,1 x 64,4 x 66, 1	85,1 x 64,4 x 66, 1	85,1 x 64,4 x 66, 1
Stacking quantity (pcs)	5	5	5	5	5	5	5	5	5
Gross/Net weight (kg)	43 /41	43 /41	43 /41	43 /41	43 /41	43 /41	43 /41	43 /41	43 /41
Container loading (40"/HC/ 40"/ 20")	162 /108 /54	162 /108 /54	162 /108 /54	162 /108 /54	162 /108 /54	162 /108 /54	162 /108 /54	162 /108 /54	162 /108 /54

(o): OPTIONAL

(*) - Based on the tests performed with Eco 50°C programme in accordance with 50242.

(**)- Annual energy consumptions are calculated without internal light option.

(***)- Turbo fan drying system & 3rd basket are default for 15ps models

(****)- modular cutlery basket & Wine steam support can be selected only for mesh type upper basket option.

(*****)-Rinse-aid & Salt indicators are default for Viola, Bellis & Tigris aesthetics.

Note: Gros/Net Weights are shown as reference in the table. It should be calculated based on the final product features created from this general spect table.

Specifications

SEMI INTEGRATED - T SERIES 60cm Models	T11	T12	T13	T21	T24	T25
General Characteristics						
Number of Place Settings	12	12	12	12 /15	12 /15	15
Number of programs	3	4	6	8	8	8
Temperatures (°C)	50-65	40-50-65	40-50-65	Auto -30-40-50-60-70	Auto -30-40-50-60-70	Auto -30-40-50-60-70
Control type	full-electronic	full-electronic	full-electronic	full-electronic	full-electronic	full-electronic
Hidden heating element	Yes	Yes	Yes	Yes	Yes	Yes
Filter type	Metal / Plastic	Metal / Plastic	Metal / Plastic	Metal / Plastic	Metal	Metal
Turbidity sensor	No	No	No	Yes	Yes	Yes
Drying System	Natural/Active	Natural/Active	Natural/Active	Active/Turbo****	Turbo****	Turbo****
Overflow&leakage protection	Yes	Yes	Yes	Yes	Yes	Yes
Heater protection	Yes	Yes	Yes	Yes	Yes	Yes
Auto Door Technology	No	No	No	No	Yes	Yes
Water Box Technology	No	No	No	No	No	Yes
Programmes						
Prewash	No	No	Yes	Yes	No	No
Mini 18'	No	No	No	No	Yes	Yes
Eco 50°C	Yes	Yes	Yes	Yes	Yes	Yes
Intensive 65°C	Yes	Yes	Yes	No	No	No
Quick 30' 40°	No	Yes	Yes	Yes	Yes	Yes
Super 50' 65 °C	Yes	Yes	Yes	Yes	Yes	Yes
Delicate 40°C	No	No	Yes	No	No	No
Daily 60°C	No	No	No	Yes	No	No
Auto delicate 30-50	No	No	No	Yes	Yes	Yes
Auto normal 50-60	No	No	No	Yes	No	No
Auto intensive 60-70	No	No	No	Yes	Yes (50°C-70°C)	Yes (50°C-70°C)
Hygiene 60°C	No	No	No	No	No	No
Hygiene 70°C	No	No	No	No	Yes	Yes
Dual Wash 60°C	No	No	No	No	Yes	Yes
Extra Intensive 70°C (Prewash+Intensive 65°C)	No	No	No	No	No	No
Extra Hygiene 70°C (Prewash+Hygiene 60°C)	No	No	No	No	No	No
User interface						
Start/Pause	Yes	Yes	Yes	Yes	Yes	Yes
Delay timer button	No	Yes	Yes	Yes	Yes	Yes
Hygiene button	No	No	Yes	Yes	No	No
Tablet button	No	No	Yes	Yes	Yes	Yes
Extra button for Rinse or Dry option	No	No	No	Yes	No	No
Half load button (1 modes)	Yes	Yes	Yes	No	No	No
Half load button (with 3 modes)	No	No	No	Yes	Yes	Yes
Energy Save button	No	No	No	No	Yes	Yes
Extra Silent option	No	No	No	No	Yes	Yes
Extra Fast option	No	No	No	No	Yes	Yes
DISPLAY (delay start (24hrs) , remaining time)	No	Yes	Yes	Yes	Yes	Yes
Rinse-aid indicator	Yes	Yes	Yes	Yes	Yes	Yes
Salt indicator	Yes	Yes	Yes	Yes	Yes	Yes
Washing cycle indicators	Yes	Yes	Yes	Yes	Yes	Yes
Child Lock	Yes	Yes	Yes	Yes	Yes	Yes
Baskets&Accessories						
3rd basket	No	No	No	No(12ps), Yes (15ps)	No(12ps), Yes (15ps)	Yes (15ps)
Upper basket types [mesh type (*) / peg type (**)]	(o)	(o)	(o)	(o)	(o)	Peg
Adjustable upper basket when empty	(o)	(o)	(o)	(o)	(o)	Yes
Adjustable upper basket when loaded	(o)	(o)	(o)	(o)	(o)	(o)
Number of mug shelves	2 (std) / 4 (o)	2 (std) / 4 (o)	2 (std) / 4 (o)	2 (std) / 4 (o)	2 (std) / 4 (o)	4
Adjustable mugshelves (**)	Yes	Yes	Yes	Yes	Yes	Yes
Adjustable mugshelves (*)	(o)	(o)	(o)	(o)	(o)	-
Foldable racks on upper basket (**)	2 or 4 or 6 (o)	2 or 4 or 6 (o)	2 or 4 or 6 (o)	2 or 4 or 6 (o)	2 or 4 or 6 (o)	4 or 6 (o)
Foldable racks on lower basket	(o)	(o)	(o)	(o)	(o)	Yes
Wire basket handles	(o)	(o)	(o)	(o)	(o)	-
Plastic basket handles	(o)	(o)	(o)	(o)	(o)	Yes
Removable cutlery basket (single piece)	Yes	Yes	Yes	Yes(12ps)	Yes(12ps)	(o)
Removable cutlery basket (MODULAR)*****	(o)	(o)	(o)	(o)	(o)	(o)
Multi func. Kit (Extra mug shelves-higher rear part+bottle holder on lower basket)	(o)	(o)	(o)	(o)	(o)	(o)
Wine stem support on upper basket*****	(o)	(o)	(o)	(o)	(o)	(o)
Top nozzle	No	No	No	(o)	(o)	Yes
Aquastop external hose	(o)	(o)	(o)	(o)	(o)	(o)
Interior Light	No	No	No	(o)	(o)	No
Performance						
Noise Level (dBA)	57/54/52/49/47/45	57/54/52/49/47/45	57/54/52/49/47/45	54/52/49/47/45	46 (12ps), 44 (15ps)	44
Energy efficiency class	A*	A*	A*	A**	A***	A***-%20
Cleaning performance	A	A	A	A	A	A
Drying performance	A	A	A	A	A	A
Water consumption (lt)	12	12	12	9	9	9
Annual water consumption (lt/year)	3360	3360	3360	2520	2520	2520
Programme duration (min)	160	160	160	156	192	203
Energy consumption (kWh)	1	1	1	0.90 / 0.94	0.79 / 0.84	0.66
Annual energy consumption (kWh/year)***	285	285	285	258 / 267	225 / 239	189
Voltage (V) / Frequency (Hz)	220-240 / 50	220-240 / 50	220-240 / 50	220-240 / 50	220-240 / 50	220-240 / 50
Fuse Rating (A)	10	10	10	10	10	10
Dimensions						
Height (cm)	81,5	81,5	81,5	81,5	81,5	81,5
Width (cm)	59,6	59,6	59,6	59,6	59,6	59,6
Depth (cm)	57,3	57,3	57,3	57,3	57,3	57,3
Height adjustments (+cm)	5,5	5,5	5,5	5,5	5,5	5,5
Height without worktop (cm)						
Packed dimensions (Height x Width x Depth) (cm)	85,1 x 64,4 x 66, 1	85,1 x 64,4 x 66, 1	85,1 x 64,4 x 66, 1	85,1 x 64,4 x 66, 1	85,1 x 64,4 x 66, 1	85,1 x 64,4 x 66, 1
Stacking quantity (pcs)	5	5	5	5	5	5
Gross/Net weight (kg)	43 /41	43 /41	43 /41	43 /41	43 /41	43 /41
Container loading (40'HC/ 40' 20')	162 /108 /54	162 /108 /54	162 /108 /54	162 /108 /54	162 /108 /54	162 /108 /54

(o): OPTIONAL

Note :Based on the tests performed with Eco 50°C programme in accordance with 50242.

(**)- Annual energy consumptions are calculated without internal light option.

(***)- Turbo fan drying system & 3rd basket are default for 15ps models

(****)- modular cutlery basket & Wine steam support can be selected only for mesh type upper basket option.

Note: Gross/Net Weights are shown as reference in the table. It should be calculated based on the final product features created from this general spect table.

LED 60cm Models	LED T31	LED T32	LED T34	LED T35
General Characteristics				
Number of Place Settings	12/15	12/15	12/15	15
Number of programs	6	8	8	8
Temperatures (°C)	Auto 20-30-40-50-60-70	Auto 20-30-40-50-60-70	Auto 20-30-40-50-60-70	Auto 20-30-40-50-60-70
Control type	full-electronic	full-electronic	full-electronic	full-electronic
Hidden heating element	Yes	Yes	Yes	Yes
Filter type	Plastic/Metal	Plastic/Metal	Metal	Metal
Turbidity sensor	Yes	Yes	Yes	Yes
Drying System	Active/Turbo****	Active/Turbo****	Turbo****	Turbo****
Overflow&leakage protection	Yes	Yes	Yes	Yes
Heater protection	Yes	Yes	Yes	Yes
Auto Door Technology	No	No	Yes	Yes
Water Box Technology	No	No	No	Yes
Programmes				
Prewash	Yes	Yes	No	No
Eco 50°C	Yes	Yes	Yes	Yes
Mini 18'	Yes	Yes	Yes	Yes
Quick 30' 40°C	Yes	Yes	Yes	Yes
Super 50' 65 °C	Yes	Yes	Yes	Yes
Dual Wash 60°C	No	No	Yes	Yes
Hygiene 70°C	No	No	Yes	Yes
Auto delicate 30°C-50°C	No	Yes	Yes	Yes
Auto normal 50°C-60°C	No	Yes	No	No
Auto intensive 60°C-70°C	Yes	Yes	Yes (50°C - 70°C)	Yes (50°C - 70°C)
User interface				
Start/Pause button	Yes	Yes	Yes	Yes
Program button	Yes	Yes	Yes	Yes
Delay timer button	Yes	Yes	Yes	Yes
Tablet detergent Option	Yes	Yes	Yes	Yes
Half load Option (with 3 modes)	Yes	Yes	Yes	Yes
Extra Dry Option	Yes	Yes	No	No
Extra Hygiene Option	Yes	Yes	No	No
Extra Silent Option	No	No	Yes	Yes
Extra Fast Option	No	No	Yes	Yes
Energy Save Option	No	No	Yes	Yes
DISPLAY (delay start (24hrs) , remaining time)	Yes	Yes	Yes	Yes
Rinse-aid indicator	Yes	Yes	Yes	Yes
Salt indicator	Yes	Yes	Yes	Yes
Washing cycle indicators	Yes	Yes	Yes	Yes
Child Lock	Yes	Yes	Yes	Yes
Baskets&Accessories				
3rd basket	No(12ps), Yes (15ps)	No(12ps), Yes (15ps)	No(12ps), Yes (15ps)	Yes (15ps)
Upper basket types [mesh type (*) / peg type (**)]	(o)	(o)	(o)	Peg
Adjustable upper basket when empty	(o)	(o)	(o)	Yes
Adjustable upper basket when loaded	(o)	(o)	(o)	(o)
Number of mug shelves	2 (std) / 4 (o)	2 (std) / 4 (o)	2 (std) / 4 (o)	4
Adjustable mugshelves (**)	Yes	Yes	Yes	Yes
Adjustable mugshelves (*)	(o)	(o)	(o)	-
Foldable racks on upper basket (**)	2 or 4 or 6 (o)	2 or 4 or 6 (o)	2 or 4 or 6 (o)	4 or 6 (o)
Foldable racks on lower basket	(o)	(o)	(o)	Yes
Wire basket handles	(o)	(o)	(o)	-
Plastic basket handles	(o)	(o)	(o)	Yes
Removable cutlery basket (single piece)	(o)	(o)	(o)	(o)
Removable cutlery basket (MODULAR)*****	(o)	(o)	(o)	(o)
Multi func. Kit (Extra mug shelves+higher rear part+bottle holder on lower basket)	(o)	(o)	(o)	(o)
Wine stem support on upper basket*****	(o)	(o)	(o)	(o)
Top nozzle	(o)	(o)	(o)	Yes
Aquastop external hose	(o)	(o)	(o)	(o)
Interior Light	(o)	(o)	(o)	No
Performance *				
Noise Level (dBA)	54/52/49/47/45	54/52/49/47/45	46 (12ps), 44 (15ps)	44 (14ps)
Energy efficiency class	A**	A**	A***	A***-%20
Cleaning performance	A	A	A	A
drying performance	A	A	A	A
Water consumption (lt)	9	9	9	9
Annual water consumption (lt/year)	2520	2520	2520	2520
Programme duration (min)	156	156	192	203
Energy consumption (kWh)	0,90 / 0,94	0,90 / 0,94	0,79 / 0,84	0,66
Annual energy consumption (kwh/year)***	258 / 267	258 / 267	225 / 239	189
Voltage (V) / Frequency (Hz)	220-240 / 50	220-240 / 50	220-240 / 50	220-240 / 50
Fuse Rating (A)	10	10	10	10
Dimensions				
Height (cm)	81,5	81,5	81,5	81,5
Width (cm)	59,6	59,6	59,6	59,6
Depth (cm)	57,3	57,3	57,3	57,3
Height adjustment (+cm)	5,5	5,5	5,5	5,5
Height without worktop (cm)				
Packed dimensions (Height x Width x Depth) (cm)	85,1 x 64,4 x 66, 1	85,1 x 64,4 x 66, 1	85,1 x 64,4 x 66, 1	85,1 x 64,4 x 66, 1
Stacking quantity (pcs)	5	5	5	5
Gross/Net weight (kg)	43 /41	43 /41	43 /41	43 /41
Container loading (40'HQ/ 40' 20')	162 /108 /54	162 /108 /54	162 /108 /54	162 /108 /54

(o): OPTIONAL

Note :Based on the tests performed with Eco 50°C programme in accordance with 50242.

(***)- Annual energy consumptions are calculated without internal light option.

(****)- Turbo fan drying system & 3rd basket are default for 15ps models

(*****)- modular cutlery basket & Wine steam support can be selected only for mesh type upper basket option.

Note: Gros/Net Weights are shown as reference in the table. It should be calculated based on the final product features created from this general spect table.

Specifications

SLIM 45cm Semi Integrated Models	C13_45cm	C15_45cm	T14_45cm	T15_45cm	T21_45cm	T22_45cm	T24_45cm
General Characteristics							
Number of Place Settings	10	10	10	10	10	10	10
Number of programs	4	6	7	7	8	8	8
Temperatures (°C)	40-50-65	40-50-65-70	40-50-65-70	40-50-65-70	Auto -30-40-50-60-65-70	Auto -30-40-50-60-65-70	Auto -30-40-50-60-65-70
Control type	full-electronic	full-electronic	full-electronic	full-electronic	full-electronic	full-electronic	full-electronic
Hidden heating element	Yes	Yes	Yes	Yes	Yes	Yes	Yes
Filter type	Metal	Metal	Metal	Metal	Metal	Metal	Metal
Turbidity sensor	No	No	No	No	Yes	Yes	Yes
Drying System	Natural/Active	Natural/Active	Natural/Active	Natural/Active	Natural/Active	Turbo	Turbo
Overflow&leakage protection	Yes	Yes	Yes	Yes	Yes	Yes	Yes
Heater protection	Yes	Yes	Yes	Yes	Yes	Yes	Yes
Programmes							
Prewash	Yes	Yes	Yes	Yes	Yes	Yes	Yes
Eco 50°C	Yes	Yes	Yes	Yes	Yes	Yes	Yes
Intensive 65°C	Yes	Yes	Yes	Yes	No	No	No
Quick 30' 40°C	No	Yes	Yes	Yes	Yes	Yes	Yes
Super 50' 65 °C	Yes	Yes	Yes	Yes	Yes	Yes	Yes
Delicate 40°C	No	No	Yes	Yes	No	No	No
Normal 55°C	No	No	No	No	No	No	No
Dual ProWash	No	No	No	No	No	No	Yes
Auto delicate 30-50	No	No	No	No	Yes	Yes	Yes
Auto normal 50-60	No	No	No	No	Yes	Yes	No
Auto intensive 60-70	No	No	No	No	Yes	Yes	Yes (50-70)
Hygiene 60°C	No	No	No	No	No	No	No
Hygiene 70°C	No	Yes	Yes	Yes	Yes	Yes	Yes
Extra Intensive 70°C(Pre-wash+intensive 65°C)	No	No	No	No	No	No	No
User interface							
Start/Pause	Yes	Yes	Yes	Yes	Yes	Yes	Yes
Delay timer button (o)	(o)	(o)	Yes	Yes	Yes	Yes	Yes
Half load button (1 mode)	No	Yes	Yes	No	No	No	No
Half load button (with 3 modes)	No	No	No	No	Yes	Yes	Yes
Extra Rinse button	No	No	Yes	No	Yes	Yes	No
Extra Drying button	No	No	No	No	Yes	Yes	No
Tablet button	No	No	Yes	No	Yes	Yes	No
Extra Silent Option	No	No	No	No	No	No	Yes
Extra Fast Option	No	No	No	No	No	No	Yes
Energy Save Option	No	No	No	No	No	No	Yes
DISPLAY (delay start (24hrs) , remaining time)	(o)	(o)	Yes	No	Yes	Yes	Yes
Rinse-aid indicator	Yes	Yes	Yes	Yes	Yes	Yes	Yes
Salt indicator	Yes	Yes	Yes	Yes	Yes	Yes	Yes
Washing cycle indicators	Yes	Yes	Yes	Yes	Yes	Yes	Yes
Child Lock	No	No	Yes	No	Yes	Yes	Yes
Baskets&Accessories							
3rd Basket	No	No	No	No	No	(o)	Yes
Adjustable upper basket when empty	Yes	Yes	Yes	Yes	Yes	Yes	Yes
Adjustable upper basket when loaded	(o)	(o)	(o)	(o)	(o)	(o)	(o)
Upper basket handles	(o)	(o)	(o)	(o)	(o)	(o)	(o)
Lower basket handles	(o)	(o)	(o)	(o)	(o)	(o)	(o)
Foldable racks on lower basket	(o)	(o)	(o)	(o)	(o)	(o)	(o)
Foldable racks on Upper basket	(o)	(o)	(o)	(o)	(o)	(o)	(o)
Top nozzle	Yes	Yes	Yes	Yes	Yes	Yes	Yes
Aquastop external hose	(o)	(o)	(o)	(o)	(o)	(o)	(o)
Interior Light	No	No	No	No	(o)	(o)	(o)
Performance *							
Noise Level (dBA)	57/54/52/49/47/45	57/54/52/49/47/45	57/54/52/49/47/45	57/54/52/49/47/45	54/52/49/47/45	49/47/45	44
Energy efficiency class	A+	A+	A+	A+	A+	A++	A+++
Cleaning performance	A	A	A	A	A	A	A
Drying performance	A	A	A	A	A	A	A
Water consumption (lt)	13	13	13	13	9	9	9
Annual water consumption (lt/year)	3640	3640	3640	3640	2520	2520	2520
Programme duration (min)	172	172	172	172	164	198	185
Energy consumption (kWh)	0,83	0,83	0,83	0,83	0,83	0,73	0,65
Annual energy consumption (kwh/year)	237	237	237	237	237	211	188
Voltage (V) / Frequency (Hz)	220-240 / 50	220-240 / 50	220-240 / 50	220-240 / 50	220-240 / 50	220-240 / 50	220-240 / 50
Fuse Rating (A)	10	10	10	10	10	10	10
Dimensions							
Height (cm)	81,5	81,5	81,5	81,5	81,5	81,5	81,5
Width (cm)	45,0	45,0	45,0	45,0	45,0	45,0	45,0
Depth (cm)	57,0	57,0	57,0	57,0	57,0	57,0	57,0
Height adjustment (H+cm)	5,5	5,5	5,5	5,5	5,5	5,5	5,5
Packed dimensions (Height x Width x Depth) (cm)	86,1 x 49,4 x 66, 1	86,1 x 49,4 x 66, 1	86,1 x 49,4 x 66, 1	86,1 x 49,4 x 66, 1	86,1 x 49,4 x 66, 1	86,1 x 49,4 x 66, 1	86,1 x 49,4 x 66, 1
Stacking quantity (pcs)	5	5	5	5	5	5	5
Gross/Net weight (kg)	34/32	34/32	34/32	34/32	34/32	34/32	34/32
Container loading (40'HC/ 40' 20')	216X144X72	216X144X72	216X144X72	216X144X72	216X144X72	216X144X72	216X144X72

(**): Annual energy consumptions are calculated without internal light option.

Note: Gros/Net Weights are shown as reference in the table. It should be calculated based on the final product features created from this general spect table.

Note: Display version for C13 & C15 models are available only with Orchis aesthetic.

SLIM 45cm Fully Integrated Models	D12-45cm	D22-45cm	D32-45cm	D42-45cm
General Characteristics				
Number of Place Settings	10	10	10	10
Number of programs	3	6	8	8
Temperatures (°C)	50 -65	40-50 -65-70	40-50-60-65-70	Auto -30-40-50-60-65-70
Control type	full-electronic	full-electronic	full-electronic	full-electronic
Hidden heating element	Yes	Yes	Yes	Yes
Filter type	Metal	Metal	Metal	Metal
Turbidity sensor	No	No	No	Yes
Drying System	Natural/Active	Natural/Active	Natural/Active	Natural/Active
Overflow&leakage protection	Yes	Yes	Yes	Yes
Heater protection	Yes	Yes	Yes	Yes
Programmes				
Prewash	Yes	Yes	Yes	Yes
Eco 50°C	Yes	Yes	Yes	Yes
Intensive 65°C	Yes	Yes	Yes	No
Quick 30' 40°C	No	Yes	Yes	Yes
Super 50' 65 °C	No	Yes	Yes	Yes
Delicate 40°C	No	No	Yes	No
Normal 55°C	No	No	No	No
Daily 60°C	No	No	Yes	No
Auto delicate 30-50	No	No	No	Yes
Auto normal 50-60	No	No	No	Yes
Auto intensive 60-70	No	No	No	Yes
Hygiene 60°C	No	No	No	No
Extra Hygiene 70°C	No	Yes	Yes	Yes
User interface				
Program selection button	Yes	Yes	Yes	Yes
Delay timer button	No	Yes	Yes	Yes
Half load button (1 mode)	No	Yes	Yes	No
Half load button (with 3 modes)	No	No	No	Yes
Extra Rinse button	No	No	No	No
Extra Drying button	No	No	No	No
Tablet detergent button (3in1)	No	No	Yes	Yes
DISPLAY (delay start (19hrs) , prg duration)	No	No	Yes	Yes
Rinse-aid indicator	Yes	Yes	Yes	Yes
Salt indicator	Yes	Yes	Yes	Yes
End of cycle indicator	Yes	Yes	Yes	Yes
Buzzer	Yes	Yes	Yes	Yes
Baskets&Accessories				
Adjustable upper basket when empty	Yes	Yes	Yes	Yes
Adjustable upper basket when loaded	(o)	(o)	(o)	(o)
Upper basket handles	(o)	(o)	(o)	(o)
Lower basket handles	(o)	(o)	(o)	(o)
Foldable racks on lower basket	(o)	(o)	(o)	(o)
Foldable racks on Upper basket	(o)	(o)	(o)	(o)
Top nozzle	Yes	Yes	Yes	Yes
Aquastop external hose	(o)	(o)	(o)	(o)
Interior Light	No	No	No	(o)
Performance *				
Noise Level (dBA)	57/54/52/49/47/45	57/54/52/49/47/45	57/54/52/49/47/45	54/52/49/47/45
Energy efficiency class	A+	A+	A+	A+
Cleaning performance	A	A	A	A
Drying performance	A	A	A	A
Water consumption (lt)	13	13	13	12
Annual water consumption (lt/year)	3640	3640	3640	3360
Programme duration (min)	162	162	162	167
Energy consumption (kWh)	0,83	0,83	0,83	0,83
Annual energy consumption (kwh/year)	237	237	237	237
Voltage (V) / Frequency (Hz)	220-240 / 50	220-240 / 50	220-240 / 50	220-240 / 50
Fuse Rating (A)	10	10	10	10
Dimensions				
Height (cm)	81,5	81,5	81,5	81,5
Width (cm)	45,0	45,0	45,0	45,0
Depth (cm)	55,0	55,0	55,0	55,0
Height adjustment (+cm)	5,5	5,5	5,5	5,5
Packed dimensions (Height x Width x Depth) (cm)	86,1 x 49,4 x 66, 1	86,1 x 49,4 x 66, 1	86,1 x 49,4 x 66, 1	86,1 x 49,4 x 66, 1
Stacking quantity (pcs)	5	5	5	5
Gross/Net weight (kg)	34/32	34/32	34/32	34/32
Container loading (40'HC/ 40' / 20')	216X144X72	216X144X72	216X144X72	216X144X72

(***)- Annual energy consumptions are calculated without internal light option.

Note: Gros/Net Weights are shown as reference in the table. It should be calculated based on the final product features created from this general spect table.

Specifications

60cm BUILT-IN OVEN SPECIFICATION SHEET		60cm ELECTRIC BUILT-IN OVEN	60cm PYRO-LYTIC BUILT-IN OVEN	60cm ELECTRIC POLYVALENTE BUILT-IN OVEN
Dimensions				
Product Height	mm	595	595	595
Product Width	mm	595	595	595
Product Depth (with / without Control Panel)	mm	575 / 550	575 / 550	575 / 550
Cabinet Dimensions (Width / Height / Depth) -If control panel located inside the cabinet	mm	600 / 600 / 590	600 / 600 / 590	600 / 600 / 590
Cabinet Dimensions (Width / Height / Depth) -If control panel not located inside the cabinet	mm	560 / 590 / 555	560 / 590 / 555	560 / 590 / 555
Oven Features				
Oven Type		Electric	Electric (Pyrolytic)	Electric
Oven Volume (without/with fan)	lt	61 / 56 - 72 / 65	56 (old platform) 65 (new platform)	61 / 56 - 72 / 65
Cavity Dimensions (without/with fan)	mm	430 x 429 x 335 / 430 x 391 x 335 - 450 x 451 x 352 / 450 x 413x 352	430 x 391 x 335 (old platform) 450 x 404 x 352 (new platform)	430 x 429 x 335 / 430 x 391 x 335 - 450 x 451 x 352 / 450 x 413x 352
Oven Light (25W)		Optional	Standard	Optional
Easy to Clean Enamel		Standard	-	Standard
Catalytic Enamel Panels (Left, right and rear)		Optional	-	Optional
Pyrolytic Enamel		-	Standard	-
Wire Side Racks		Optional	Optional	Optional
Telescopic Rails (1 or 2 racks)		Optional	Optional	Optional
Top Heating Element	W	1200	1200	1200
Bottom Heating Element	W	1100	1100	1100
Thermostat		Standard	Electronic	Standard
Grill (Thermostatic)	W	1400	1400	1400
Double Grill (Thermostatic)	W	2600	2600	2600
Fan	W	23	23	23
Fan with Ring Heating Element	W	2000	2000	2000
Automatic Boost Function		Optional	Optional	Optional
Turnspit		Optional	Optional	Optional
Oven Functions		Up to 9	Up to 7	Up to 9
Thermostat Operation Indicator Light		Standard	Standard	Standard
Oven Operation Indicator Light		Standard	-	-
Hotplate Operation Indicator Light (in case of combi oven)		-	-	Standard
Oven Door lock indicator light		-	Standard	-
Minute Minder		Optional	-	Optional
Mechanical Timer		Optional	-	Optional
Analog Timer		Optional	-	Optional
Digital Clock		Optional	-	Optional
Digital Programmer		Optional	Standard	Optional
Digital Programmer with touch interface		Optional	-	Optional
Full Touch LED Display		Optional	Optional	Optional
Knob Control LED Display and Touch Interface (Visio Touch)		Optional	Optional	-
Knob Control LED Display (Visio Display)		Optional	-	-
Smart LCD (Ready Cook)		Optional	-	-
Baking Tray (Shallow Tray)		Optional	1	Optional
Roasting Tray (Deep Tray)		1	Optional	1
Glass Tray		Optional	Optional	Optional
Chromed Grid with Stoper		1	1	1
Wire grid for deep tray		Optional	Optional	Optional
Broil Pan with Handle Set		Optional	Optional	Optional
Self Cleaning Period	hrs	-	1,5 / 1	-
Energy Consumption during Self Cleaning Function	kwh	-	2,6	-
Available Colours				
White		Standard	Standard	Standard
Brown		Optional	Optional	Optional
Terre de France		Optional	Optional	Optional
Black		Optional	Optional	Optional
Brown		Optional	Optional	Optional
Dark Green		Optional	Optional	Optional
Silver		Optional	Optional	Optional
Inox Painted		Optional	Optional	Optional
Stainless Steel		Optional	Optional	Optional
Control Panel				
Metal		Standard	Standard	Standard
Glass		Optional	Optional	Optional
Various Types of Inox Add-on on Glass Control Panel		Optional	Optional	Optional
Oven Door				
Full outer glass and small inner glass with metal frame (4 glasses)		-	Standard	-
Full outer glass and Inner metal door (small glass) Oven Door		Standard	-	Standard
Full outer glass and full inner glass Oven Door		Optional	-	Optional
Cool touch Oven door		Optional	-	Optional
Flotal Oven Door Glass		Optional	-	Optional
Removable Oven Door		Standard	Standard	Standard
Various Types of Inox Add-on on Oven Door Glass		Optional	Optional	Optional
Child Lock on Oven Door		Optional	Standard (Electro-mechanic)	Optional
Others				
Total Power (Depends on Model) Maximum	kW	3,1	2,6	3,1
Tangential Cooling Fan (in case of built-in oven with cooling fan)	W	11,5	23 / 40 (double level)	11,5
Tangential Cooling Fan Noise Level	dBA	49	53 (for pyrolytic function) 49 (for cooking function)	49
Voltage	V	230	230	230
Electric Cooker Energy Rating (Depends on Model)		A+ / A / B	A / B	A / B
Cavity Insulation		White / Yellow	White (with Aluminum foil)	White / Yellow
Pop-in / Pop-out Knob		Optional	Optional	Optional
Hob controls on Control Panel (in case of combi oven)		Standard	-	Standard
Main Cable		Optional	Standard	Optional
Shrink Packed Product Dimensions (Width / Depth / Height)	mm	680 x 630 x 640	680 x 630 x 640	680 x 630 x 640
Carton Box Packaging		Optional	Optional	Optional
RoHS Compliance		Standard	Standard	Standard
CE Compliance		Standard	Standard	Standard
Net Weight (Depends on Model) Maximum	kg	35	34	35
Gross Weight (Depends on Model) Maximum	kg	37,7	36,2	37,7
Container Loading Quantity (20 ft Container)	pcs	81	81	81
Container Loading Quantity (40 ft Container)	pcs	162	162	162
Container Loading Quantity (40 ft HC Container)	pcs	216	216	216

60cm BUILT-IN OVEN SPECIFICATION SHEET		60cm ELECTRIC BUILT-IN OVEN (75L)	60cm ELECTRIC POLYVALENTE BUILT-IN OVEN (75L)
Dimensions			
Product Height	mm	595	595
Product Width	mm	595	595
Product Depth (with / without Control Panel)	mm	575 / 550	575 / 550
Cabinet Dimensions (Width / Height / Depth) -If control panel located inside the cabinet	mm	600 / 600 / 590	600 / 600 / 580
Cabinet Dimensions (Width / Height / Depth) -If control panel not located inside the cabinet	mm	560 / 590 / 555	560 / 580 / 555
Oven Features			
Oven Type		Electric	Electric
Oven Volume (without/with fan)	lt	80 / 73(mold runners) - 85 / 78(wire rack)	80 / 73(mold runners) - 85 / 78(wire rack)
Cavity Dimensions (without/with fan)	mm	450 x 451 x 392 / 450 x 413x 392	450 x 451 x 392 / 450 x 413x 392
Oven Light (25W)		Standard	Standard
Easy to Clean Enamel		Standard	Standard
Catalytic Enamel Panels (Left, right and rear)		Optional	Optional
Wire Side Racks		Optional	Optional
Telescopic Rails (1 or 2 racks)		Optional	Optional
Top Heating Element	W	1200	1200
Bottom Heating Element	W	1100	1100
Thermostat		Standard	Standard
Grill (Thermostatic)	W	1400	1400
Double Grill (Thermostatic)	W	2600	2600
Fan	W	23	23
Fan with Ring Heating Element	W	2000	2000
Automatic Boost Function		Optional	Optional
Turnspit		Optional	Optional
Oven Functions		Up to 9	Up to 9
Thermostat Operation Indicator Light		Standard	Standard
Oven Operation Indicator Light		Standard	-
Hotplate Operation Indicator Light (in case of combi oven)		-	Standard
Minute Minder		Optional	Optional
Mechanical Timer		Optional	Optional
Digital Clock		Optional	Optional
Digital Programmer		Optional	Optional
Digital Programmer with touch interface		Optional	Optional
Knob Control LED Display and Touch Interface (Visio Touch)		Optional	-
Knob Control LED Display (Visio Display)		Optional	-
Smart LCD (Ready Cook)		Optional	-
Baking Tray (Shallow Tray)		Optional	Optional
Roasting Tray (Deep Tray)		1	1
Glass Tray		Optional	Optional
Chromed Grid with Stoper		1	1
Wire grid for deep tray		Optional	Optional
Broil Pan with Handle Set		Optional	Optional
Available Colours			
White		Standard	Standard
Brown		Optional	Optional
Terre de France		Optional	Optional
Black		Optional	Optional
Brown		Optional	Optional
Dark Green		Optional	Optional
Silver		Optional	Optional
Inox Painted		Optional	Optional
Stainless Steel		Optional	Optional
Control Panel			
Metal		Standard	Standard
Glass		Optional	Optional
Various Types of Inox Add-on on Glass Control Panel		Optional	Optional
Oven Door			
Full outer glass and full inner glass Oven Door		Standard	Optional
Flotal Oven Door Glass		Optional	Optional
Removable Oven Door		Optional	Standard
Various Types of Inox Add-on on Oven Door Glass		Optional	Optional
Others			
Total Power (Depends on Model) Maximum	kW	3,1	3,1
Tangential Cooling Fan (in case of built-in oven with cooling fan)	W	11,5	11,5
Tangential Cooling Fan Noise Level	dBA	49	49
Voltage	V	230	230
Electric Cooker Energy Rating (Depends on Model)		A-B	A-B
Cavity Insulation		White / Yellow	White / Yellow
Pop-in / Pop-out Knob		Optional	Optional
Hob controls on Control Panel (in case of combi oven)		Standard	Standard
Main Cable		Optional	Optional
Shrink Packed Product Dimensions (Width / Depth / Height)	mm	680 x 630 x 640	680 x 630 x 640
Carton Box Packaging		Optional	Optional
RoHS Compliance		Standard	Standard
CE Compliance		Standard	Standard
Net Weight (Depends on Model) Maximum	kg	36	36
Gross Weight (Depends on Model) Maximum	kg	38,2	38,2
Container Loading Quantity (20 ft Container)	pcs	81	81
Container Loading Quantity (40 ft Container)	pcs	162	162
Container Loading Quantity (40 ft HC Container)	pcs	216	216

Built-In / Table-Top Hob Specification Sheet	BI Gas/Combined Hobs								BI Gas Securit Hobs					
	60 CM	60 CM	60 CM	60 CM	60 CM	60 CM	70 CM	70 CM	60 CM	60 CM	60 CM	60 CM	60 cm	
	Flat / Surface	Extenda	Classic	Model I	PlusX	Division	Model I	PlusX	Securit II	Trio	Model I	PlusX	Division	
Available Colours														
White	Standard	Standard	Standard	Standard	Standard	Standard	Standard	Standard	Optional	Optional	Optional	Optional	-	
Brown	Optional	Optional	Optional	Optional	Optional	-	Optional	Optional	Optional	Optional	Optional	Optional	-	
Terre de France	Optional	Optional	Optional	Optional	Optional	-	Optional	Optional	Optional	Optional	Optional	Optional	-	
Black	Optional	Optional	Optional	Optional	Optional	-	Optional	Optional	Standard	Standard	Standard	Standard	Standard	
Dark Green	Optional	Optional	Optional	Optional	Optional	-	Optional	Optional	Optional	Optional	Optional	Optional	-	
Stainless Steel	Optional	Optional	Optional	Optional	Optional	Standard	Optional	Optional	-	-	-	-	-	
Product Dimensions														
Height (max., varies from model to model)	mm	40	40	40	39,5	42	42	39,5	42	44	44	39,5	44	44
Width	mm	580	580	580	590	580	580	680	700	594	594	590	594	594
Depth (max., do not include gas connection detail)	mm	510	510	510	515	515	510	515	515	523	523	515	523	523
Cut-out Dimensions														
Width	mm	560	560	560	560	560	560	560	560	560	560	560	560	560
Depth	mm	490	490	490	490	490	490	490	490	490	490	490	490	490
Hob Features														
Hob		Enamel / Stainless Steel	Enamel / Stainless Steel	Enamel / Stainless Steel	Enamel / Stainless Steel	Enamel / Stainless Steel	Stainless Steel	Enamel / Stainless Steel	Enamel / Stainless Steel	Securit	Securit	Securit	Securit	Securit
Rapid Gas Burner Ø10cm	W	3000	3000	3000	3000	3000	3000	3000	3000	3000	3000	3000	3000	3000
Semi-rapid Gas Burner Ø7.5cm	W	1750	1750	1750	1750	1750	1750	1750	1750	1750	1750	1750	1750	1750
Auxiliary Gas Burner Ø5.5cm	W	1000	1000	1000	1000	1000	1000	1000	1000	1000	1000	1000	1000	1000
Wok (Triple Flame) Gas Burner Mono Ø14cm	W	3800	3800	3800	3800	-	-	3800	3800	3800	3800	3800	3800	-
Wok (Triple Flame) Gas Burner Dual Ø14cm	W	-	-	-	-	-	-	-	-	-	-	-	-	-
Wok (Triple Flame) Gas Burner Ø11cm	W	-	-	-	-	3200	-	-	-	-	-	-	-	-
Ø 145 mm Hotplate	W	-	-	1000	1000	1000	-	1000	1000	-	-	-	1000	-
Ø 180 mm Hotplate	W	1500	1500	-	-	-	-	-	-	-	-	-	-	-
Ø 145 mm Rapid Hotplate	W	-	-	-	-	-	-	-	-	-	-	-	-	-
Ø 180 mm Rapid Hotplate	W	-	-	-	-	-	-	-	-	-	-	-	-	-
Ø145 mm Highlite Element	W	-	-	-	-	-	-	-	-	-	-	-	-	-
Ø180 mm Highlite Element	W	-	-	-	-	-	-	-	-	-	-	-	-	-
Ø210 mm Highlite Element	W	-	-	-	-	-	-	-	-	-	-	-	-	-
Ø180 mm Dual Highlite Element	W	-	-	-	-	-	-	-	-	-	-	-	-	-
Ø145 mm Oval Highlite Element	W	-	-	-	-	-	-	-	-	-	-	-	-	-
Ø210 mm Dual Highlite Element	W	-	-	-	-	-	-	-	-	-	-	-	-	-
Ø210 mm Triple Highlite Element	W	-	-	-	-	-	-	-	-	-	-	-	-	-
Ø270 mm Triple Highlite Element	W	-	-	-	-	-	-	-	-	-	-	-	-	-
Rectangular Highlite Element	W	-	-	-	-	-	-	-	-	-	-	-	-	-
Ø145 mm Radiant Element	W	-	-	-	-	-	-	-	-	-	-	-	-	-
Ø180 mm Radiant Element	W	-	-	-	-	-	-	-	-	-	-	-	-	-
Ø210 mm Radiant Element	W	-	-	-	-	-	-	-	-	-	-	-	-	-
Ø 160 mm Induction Zone	W	-	-	-	-	-	-	-	-	-	-	-	-	-
Ø 200 mm Induction Zone	W	-	-	-	-	-	-	-	-	-	-	-	-	-
Ø 250 mm Induction Zone	W	-	-	-	-	-	-	-	-	-	-	-	-	-
Oval Induction Zone	W	-	-	-	-	-	-	-	-	-	-	-	-	-
Boost Function	-	-	-	-	-	-	-	-	-	-	-	-	-	-
Pot Dedection	-	-	-	-	-	-	-	-	-	-	-	-	-	-
Automatic Heatup	-	-	-	-	-	-	-	-	-	-	-	-	-	-
Timer function for vitro ceramic hobs (if touch control with some hob configuration selected)	-	-	-	-	-	-	-	-	-	-	-	-	-	-
Mode function for induction ceramic hobs (if touch control with some hob configuration selected)	-	-	-	-	-	-	-	-	-	-	-	-	-	-
Bridge zone for induction ceramic hobs (if touch control with some hob configuration selected)	-	-	-	-	-	-	-	-	-	-	-	-	-	-
Child Lock for vitro ceramic hobs (if touch control selected)	-	-	-	-	-	-	-	-	-	-	-	-	-	-
Mechanical Child Lock (Main Switch)	-	-	-	-	-	-	-	-	-	-	-	-	-	-
Hot Surface Indicator Light	-	-	-	-	-	-	-	-	-	-	-	-	-	-
Hotplate Operation Indicator Light	Standard	Standard	Standard	Standard	Standard	Standard	Standard	Standard	Standard	Standard	Standard	Standard	Standard	Standard
Side Knob Control	Standard	Standard	Standard	Standard	Standard	Standard	Standard	Standard	Standard	Standard	Standard	Standard	Standard	Standard
Side Touch Control	-	-	-	-	-	-	-	-	-	Standard	Standard	-	-	-
Front Knob Control	-	-	-	Standard	Standard	-	Standard	Standard	Standard	-	-	Standard	Standard	-
Double Side Front Control	-	-	-	-	-	Standard	-	-	-	-	-	-	-	Standard
Front Triangular Touch Control	-	-	-	-	-	-	-	-	-	-	-	-	-	-
Front Slider Touch Control	-	-	-	-	-	-	-	-	-	-	-	-	-	-
Front Touch Control	-	-	-	-	-	-	-	-	-	-	-	-	-	-
Bevelled Edges	-	-	-	-	-	-	-	-	-	-	-	-	-	-
Logo	Standard	Standard	Standard	Standard	Standard	Standard	Standard	Standard	Standard	Optional	Optional	Standard	Standard	Standard
Special Decoration on Glass	-	-	-	-	-	-	-	-	-	Optional	Optional	-	-	-
Vitroceraamic Glass Artwork	-	-	-	-	-	-	-	-	-	-	-	-	-	-
Inox Frame	-	-	-	-	-	-	-	-	-	-	-	Standard	-	-
Stainless Steel Burner Pan	-	-	-	-	-	-	-	-	-	Optional	Optional	Optional	Optional	-
Table Top Installation (not built-in)	Optional	Optional	Optional	-	-	-	-	-	-	-	-	-	-	-
Glass Lid	-	-	-	-	-	-	-	-	-	-	-	-	-	-
Burner Safety Valves	Standard	Standard	Standard	Standard	Standard	Standard	Standard	Standard	Standard	Standard	Standard	Standard	Standard	Standard
Button Ignition	Optional	Optional	Optional	Optional	-	-	Optional	Standard	Optional	Optional	Optional	Optional	-	-
One-touch-ignition through knobs	Optional	Optional	Optional	Optional	Optional	Standard	Optional	Optional	Optional	Optional	Optional	Optional	Optional	Standard
Enamel Pan Supports	Standard	Standard	Standard	Standard	Standard	Standard	Standard	Standard	Standard	Standard	Standard	Standard	Standard	Standard
Cast Iron Pan Supports	Optional	Optional	-	Optional	Optional	Standard	Optional	Optional	Optional	Optional	Optional	Optional	Optional	Standard
Cast Iron Burner Caps	Optional	Optional	-	Optional	Optional	Optional	Optional	Optional	Optional	Optional	Optional	Optional	Optional	Optional
Coffee Adaptor	Optional	Optional	Optional	Optional	Optional	Optional	Optional	Optional	Optional	Optional	Optional	Optional	Optional	Optional
Wok Adaptor	Optional	Optional	Optional	Optional	Optional	Optional	-	Optional	Optional	Optional	Optional	Optional	Optional	-
Vitroceraamic Glass Cleaning Spatula	-	-	-	-	-	-	-	-	-	-	-	-	-	-
Gas Conversion Kit	Standard	Standard	Standard	Standard	Standard	Standard	Standard	Standard	Standard	Standard	Standard	Standard	Standard	Standard
Others														
Total Gas Power (Depends on Model) Maximum	kW	8,3	8,3	8,1	8,1	7,7	7,5	11,1	11,1	8,3	8,1	8,3	8,1	7,5
Total Electric Power (Depends on Model) Maximum	kW	1,5	1,5	1	1	1	-	1	1	-	-	-	1	-
Voltage	V	230V~	230V~	230V~	230V~	230V~	230V~	230V~	230V~	230V~	230V~	230V~	230V~	230V~
RoHS Compliance	Standard	Standard	Standard	Standard	Standard	Standard	Standard	Standard	Standard	Standard	Standard	Standard	Standard	Standard
CE Compliance	Standard	Standard	Standard	Standard	Standard	Standard	Standard	Standard	Standard	Standard	Standard	Standard	Standard	Standard
Carton Box Packaging	Standard	Standard	Standard	Standard	Standard	Standard	Standard	Standard	Standard	Standard	Standard	Standard	Standard	Standard
Packed Product Dimensions (WxDxH)	mm	626x580x140	x	626x560x130	641x576x161	x	x	731x576x161	x	622x580x140	622x580x140	641x576x161	x	x
Packed Product Dimensions (WxDxH) Box	mm	640x584x144	647x582x156	635x564x134	x	647x582x156	647x582x156	x	769x582x156	x	x	x	647x582x156	647 x 582 x 156
Net Weight (Depends on Model) Maximum	kg	9	9,5	6,6	9,8	9,5	11	10,7	12,5	9,5	9,5	10,7	11,5	-
Gross Weight (Depends on Model) Maximum	kg	9,75	10,5	7,5	10,6	10,5	12	11,6	13,5	10,25	10,25	11,13	12,5	-

Built-In / Table-Top Hob Specification Sheet	BI Gas Securit Hobs			BI Gas Ceramic Hobs			BI Electric Hobs	BI Vitro Ceramic Hobs		
	70 CM	70 CM	90 CM	60 CM	60 CM	60 CM	60 CM	60 CM	78x60	
	Model I	PlusX		Pure, 2gas+2vit	Pure, 3gas+1vit	Pure, 2gas+2ind	Flat / Surface	C Serie	C Serie	
Available Colours										
White	Optional	Optional	Optional	Optional	Optional	Optional	Standard	Optional	Optional	
Brown	Optional	Optional	Optional	-	-	-	Optional	-	-	
Terre de France	Optional	Optional	Optional	-	-	-	Optional	-	-	
Black	Standard	Standard	Standard	Standard	Standard	Standard	Standard	Standard	Standard	
Dark Green	Optional	Optional	Optional	-	-	-	Optional	-	-	
Stainless Steel	-	-	-	-	-	-	Optional	-	-	
Product Dimensions										
Height (max., varies from model to model)	mm	39,5	44	47	52	52	52	40	41- 47,5	41
Width	mm	680	700	882	590	590	590	580	590	780
Depth (max., do not include gas connection detail)	mm	515	520	520	520	520	520	510	520	520
Hub Features										
Hob		Securit	Securit	Securit	Gas Vitro Ceramic	Gas Vitro Ceramic	Gas Induction Ceramic	Enamel / Stainless Steel	Vitro Ceramic	Vitro Ceramic
Rapid Gas Burner Ø10cm	W	3000	3000	3000	3000	3000	3000	-	-	-
Semi-rapid Gas Burner Ø7.5cm	W	1750	1750	1750	1750	1750	1750	-	-	-
Auxiliary Gas Burner Ø5.5cm	W	1000	1000	1000	-	1000	-	-	-	-
Wok (Triple Flame) Gas Burner Mono Ø14cm	W	3800	3600	4500	-	-	-	-	-	-
Wok (Triple Flame) Gas Burner Dual Ø14cm	W	-	-	4500	-	-	-	-	-	-
Wok (Triple Flame) Gas Burner Ø11cm	W	-	-	-	-	-	-	-	-	-
Ø 145 mm Hotplate	W	-	-	-	-	-	-	1000	-	-
Ø 180 mm Hotplate	W	-	-	-	-	-	-	1500	-	-
Ø 145 mm Rapid Hotplate	W	-	-	-	-	-	-	1500	-	-
Ø 180 mm Rapid Hotplate	W	-	-	-	-	-	-	2000	-	-
Ø145 mm Highlite Element	W	-	-	-	1200	1200	-	-	1200	1200
Ø180 mm Highlite Element	W	-	-	-	1800	1800	-	-	1800	1800
Ø210 mm Highlite Element	W	-	-	-	-	-	-	-	2300	2300
Ø180 mm Dual Highlite Element	W	-	-	-	-	1700	-	-	1700	1700
Ø145 mm Oval Highlite Element	W	-	-	-	-	-	-	-	1800	1800
Ø210 mm Dual Highlite Element	W	-	-	-	-	-	-	-	2200	2200
Ø210 mm Triple Highlite Element	W	-	-	-	-	-	-	-	2300	2300
Ø270 mm Triple Highlite Element	W	-	-	-	-	-	-	-	2700	-
Rectangular Highlite Element	W	-	-	-	-	-	-	-	-	2000
Ø145 mm Radiant Element	W	-	-	-	-	-	-	-	1200	-
Ø180 mm Radiant Element	W	-	-	-	-	-	-	-	1700	-
Ø210 mm Radiant Element	W	-	-	-	-	-	-	-	2100	-
Ø 160 mm Induction Zone	W	-	-	-	-	-	Nominal 1400 W max. Boost 1800 W	-	-	-
Ø 200 mm Induction Zone	W	-	-	-	-	-	Nominal 2100 W max. Boost 2500 W	-	-	-
Ø 250 mm Induction Zone	W	-	-	-	-	-	-	-	-	-
Oval Induction Zone	W	-	-	-	-	-	-	-	-	-
Boost Function		-	-	-	-	-	Standard for Induction Heaters	-	-	-
Pot Dedection		-	-	-	-	-	Standard	-	-	-
Automatic Heatup		-	-	-	-	-	Standard	-	-	-
Timer function for vitro ceramic hobs (If touch control with some hob configuration selected)		-	-	-	-	-	Standard for Induction Heaters	-	Optional	Optional
Mode function for induction ceramic hobs (If touch control with some hob configuration selected)		-	-	-	-	-	-	-	-	-
Bridge zone for induction ceramic hobs (If touch control with some hob configuration selected)		-	-	-	-	-	-	-	-	-
Child Lock for vitro ceramic hobs (If touch control selected)		-	-	-	-	-	Standard	-	Standard	Standard
Mechanical Child Lock (Main Switch)		-	-	Optional	-	-	-	-	-	-
Hot Surface Indicator Light		-	-	-	Standard	Standard	Standard	-	Standard	Standard
Hotplate Operation Indicator Light		-	-	-	-	-	-	Standard	-	-
Side Knob Control		-	-	-	Standard	Standard	Standard for Gas Heaters	Standard	Standard	-
Side Touch Control		-	-	-	-	-	Standard for Induction Heaters	-	Optional	-
Front Knob Control		Standard	Standard	Standard	-	-	-	-	-	-
Double Side Front Control		-	-	-	-	-	-	-	-	-
Front Triangular Touch Control		-	-	-	-	-	-	-	Optional	Standard
Front Slider Touch Control		-	-	-	-	-	-	-	Optional	Optional
Front Touch Control		-	-	-	-	-	-	-	-	-
Bevelled Edges		-	-	Optional	Optional	Optional	Optional	-	Optional	Optional
Logo		Standard	Standard	Standard	Optional	Optional	Optional	Standard	Optional	Optional
Special Decoration on Glass		-	-	-	Optional	Optional	Optional	-	Optional	Optional
Vitroceramic Glass Artwork		-	-	-	Slim Design	Slim Design	Slim Design	-	Slim / Arc / Point	Slim / Arc / Point
Inox Frame		Standard	-	Optional	Optional	Optional	Optional	-	Optional	-
Stainless Steel Burner Pan		Optional	Optional	Optional	Optional	Optional	Optional	-	-	-
Table Top Installation (not built-in)		-	-	-	-	-	-	-	-	-
Glass Lid		-	-	-	-	-	-	-	-	-
Burner Safety Valves		Standard	Standard	Standard	Standard	Standard	Standard	-	-	-
Button Ignition		Optional	-	-	-	-	-	-	-	-
One-touch-Ignition through knobs		Optional	Optional	Standard	Optional	Optional	Optional	-	-	-
Enamel Pan Supports		Standard	Standard	-	Standard	Standard	Standard	-	-	-
Cast Iron Pan Supports		Optional	Optional	Standard	Optional	Optional	Optional	-	-	-
Cast Iron Burner Caps		Optional	Optional	Standard	Optional	Optional	Optional	-	-	-
Coffee Adaptor		Optional	Optional	Optional	Optional	Optional	-	-	-	-
Wok Adaptor		Optional	Optional	Optional	-	-	-	-	-	-
Vitroceramic Glass Cleaning Spatula		-	-	-	Optional	Optional	Optional	-	Optional	Optional
Gas Conversion Kit		Standard	Standard	Optional	Standard	Standard	Standard	-	-	-
Others										
Total Gas Power (Depends on Model) Maximum	kW	11,3	11,1	12	4,8	4,8	4,8	-	-	-
Total Electric Power (Depends on Model) Maximum	kW				3	3	3,6	6	6,5	8,3
Voltage	V	230V-	230V-	230V-	230 V-	230 V-	230 V-	230V- / 400V 2N-	230V- / 400V 3N-	230V- / 400V 3N-
RoHS Compliance		Standard	Standard	Standard	Standard	Standard	Standard	Standard	Standard	Standard
CE Compliance		Standard	Standard	Standard	Standard	Standard	Standard	Standard	Standard	Standard
Carton Box Packaging		Standard	Standard	Standard	Standard	Standard	Standard	Standard	Standard	Standard
Packed Product Dimensions (WxDxH)	mm	731x576x161	x	x	x	x	x	626x590x140	620x578x133	810x578x133
Packed Product Dimensions (WxDxH) Box	mm	x	769x582x156	935x582x156	647x582x156	647x582x156	647x582x156	640x584x144	631x580x135	x
Net Weight (Depends on Model) Maximum	kg	13,7	13,8	20,5	9,5	9,5	10	9,5	9,5	10,15
Gross Weight (Depends on Model) Maximum	kg	14,2	14,8	21,5	10,5	10,5	11	10,25	10,25	11

Built-In / Table-Top Hob Specification Sheet	BI Induction Ceramic Hobs			TT Gas/ Comined/ Securit Hobs				TT Electric Hobs			
	60 CM	78 CM	90CM	60 CM	60 CM	60 CM	60 CM	60 CM	60 CM	60 CM	
	Vestel Induction	Vestel Induction	Vestel Induction	Flat / Surface	Smoothline	New Gen.	PlusX	Flat / Surface	Smoothline	New Gen.	
Available Colours											
White	Optional	Optional	Optional	Standard	Standard	Standard	Optional	Standard	Standard	Standard	
Brown	-	-	-	Optional	Optional	-	Optional	Optional	Optional	-	
Terre de France	-	-	-	Optional	Optional	-	Optional	Optional	Optional	-	
Black	Standard	Standard	Standard	Optional	Optional	Optional	Standard	Optional	Optional	Optional	
Dark Green	-	-	-	Optional	Optional	-	Optional	Optional	Optional	-	
Stainless Steel	-	-	-	Optional	Optional	Optional	Optional	Optional	Optional	Optional	
Product Dimensions											
Height (max., varies from model to model)	mm	56	56	56	95,5 - 104,5	95,5 - 104,5	95,5 - 104,5	104	56,5 - 104,5	56,5 - 104,5	56,5 - 104,5
Width	mm	590	590	890	585	585	585	597	585	585	585
Depth (max., do not include gas connection detail)	mm	520	520	520	540	540	540	526	540	540	540
Cut-out Dimensions											
Width	mm	560	750	860	-	-	-	-	-	-	-
Depth	mm	490	490	490	-	-	-	-	-	-	-
Hob Features											
Hob		Induction Ceramic	Induction Ceramic	Induction Ceramic	Enamel / Stainless Steel	Enamel / Stainless Steel	Enamel / Stainless Steel	Securit	Enamel / Stainless Steel	Enamel / Stainless Steel	Enamel / Stainless Steel
Rapid Gas Burner Ø10cm	W	-	-	-	3000	3000	3000	3000	-	-	-
Semi-rapid Gas Burner Ø7,5cm	W	-	-	-	1750	1750	1750	1750	-	-	-
Auxiliary Gas Burner Ø5,5cm	W	-	-	-	1000	1000	1000	1000	-	-	-
Wok (Triple Flame) Gas Burner Mono Ø14cm	W	-	-	-	3800	3800	3800	3800	-	-	-
Wok (Triple Flame) Gas Burner Dual Ø14cm	W	-	-	-	-	-	-	-	-	-	-
Wok (Triple Flame) Gas Burner Ø11cm	W	-	-	-	-	-	-	-	-	-	-
Ø 145 mm Hotplate	W	-	-	-	-	1000	-	1000	1000	1000	1000
Ø 180 mm Hotplate	W	-	-	-	1500	-	1500	-	1500	1500	1500
Ø 145 mm Rapid Hotplate	W	-	-	-	-	1500	-	-	1500	1500	1500
Ø 180 mm Rapid Hotplate	W	-	-	-	2000	-	2000	-	2000	2000	2000
Ø145 mm Hightite Element	W	-	-	-	-	-	-	-	-	-	-
Ø180 mm Hightite Element	W	-	-	-	-	-	-	-	-	-	-
Ø210 mm Hightite Element	W	-	-	-	-	-	-	-	-	-	-
Ø180 mm Dual Hightite Element	W	-	-	-	-	-	-	-	-	-	-
Ø145 mm Oval Hightite Element	W	-	-	-	-	-	-	-	-	-	-
Ø210 mm Dual Hightite Element	W	-	-	-	-	-	-	-	-	-	-
Ø210 mm Triple Hightite Element	W	-	-	-	-	-	-	-	-	-	-
Ø270 mm Triple Hightite Element	W	-	-	-	-	-	-	-	-	-	-
Rectangular Hightite Element	W	-	-	-	-	-	-	-	-	-	-
Ø145 mm Radiant Element	W	-	-	-	-	-	-	-	-	-	-
Ø180 mm Radiant Element	W	-	-	-	-	-	-	-	-	-	-
Ø210 mm Radiant Element	W	-	-	-	-	-	-	-	-	-	-
Ø 160 mm Induction Zone	W	Nominal 1400 W max. Boost 1800 W	Nominal 1400 W max. Boost 1800 W	Nominal 1400 W max. Boost 1800 W	-	-	-	-	-	-	-
Ø 200 mm Induction Zone	W	Nominal 2100 W max. Boost 2500 W	Nominal 2100 W max. Boost 2500 W	Nominal 2100 W max. Boost 2500 W	-	-	-	-	-	-	-
Ø 250 mm Induction Zone	W	Nominal 2800 W max. Boost 3500 W	Nominal 2800 W max. Boost 3500 W	Nominal 2800 W max. Boost 3500 W	-	-	-	-	-	-	-
Oval Induction Zone	W	-	-	-	-	-	-	-	-	-	-
Boost Function		Standard	Standard	Standard	-	-	-	-	-	-	-
Pot Dedection		Standard	Standard	Standard	-	-	-	-	-	-	-
Automatic Heatup		-	-	-	-	-	-	-	-	-	-
Timer function for vitro ceramic hobs (If touch control with some hob configuration selected)		Optional	Optional	Standard	-	-	-	-	-	-	-
Mode function for induction ceramic hobs (If touch control with some hob configuration selected)		Optional	Optional	-	-	-	-	-	-	-	-
Bridge zone for induction ceramic hobs (If touch control with some hob configuration selected)		Optional	Optional	-	-	-	-	-	-	-	-
Child Lock for vitro ceramic hobs (If touch control selected)		Standard	Standard	Standard	-	-	-	-	-	-	-
Mechanical Child Lock (Main Switch)		-	-	-	-	-	-	-	-	-	-
Hot Surface Indicator Light		Standard	Standard	Standard	-	-	-	-	-	-	-
Hotplate Operation Indicator Light		-	-	-	Standard	Standard	Standard	Standard	Standard	Standard	Standard
Side Knob Control		-	-	-	-	-	-	-	-	-	-
Side Touch Control		-	-	-	-	-	-	-	-	-	-
Front Knob Control		-	-	-	-	-	-	-	-	-	-
Double Side Front Control		-	-	-	-	-	-	-	-	-	-
Front Triangular Touch Control		-	-	-	-	-	-	-	-	-	-
Front Slider Touch Control		Optional	Optional	-	-	-	-	-	-	-	-
Front Touch Control		Optional	Optional	Optional	-	-	-	-	-	-	-
Bevelled Edges		Optional	Optional	Optional	-	-	-	-	-	-	-
Logo		Optional	Optional	Optional	Standard	Standard	Standard	Standard	Standard	Standard	Standard
Special Decoration on Glass		Optional	Optional	Optional	-	-	-	-	-	-	-
Vitroceramic Glass Artwork		Slim / Plus / Line	Slim / Plus / Line	Slim / Plus / Line	-	-	-	-	-	-	-
Inox Frame		Optional	Optional	Optional	-	-	-	-	-	-	-
Stainless Steel Burner Pan		-	-	-	-	-	-	-	-	-	-
Table Top Installation (not built-in)		-	-	-	Standard	Standard	Standard	Standard	Standard	Standard	Standard
Glass Lid		-	-	-	Optional	Optional	Optional	-	Optional	Optional	Optional
Burner Safety Valves		-	-	-	Standard	Standard	Standard	Standard	-	-	-
Button Ignition		-	-	-	Optional	Optional	Optional	Optional	-	-	-
One-touch-Ignition through knobs		-	-	-	Optional	Optional	Optional	Optional	-	-	-
Enamel Pan Supports		-	-	-	Standard	Standard	Standard	Standard	-	-	-
Cast Iron Pan Supports		-	-	-	Optional	Optional	Optional	Optional	-	-	-
Cast Iron Burner Caps		-	-	-	Optional	Optional	Optional	Optional	-	-	-
Coffee Adaptor		-	-	-	Optional	Optional	Optional	Optional	-	-	-
Wok Adaptor		-	-	-	Optional	Optional	Optional	Optional	-	-	-
Vitroceramic Glass Cleaning Spatula		Optional	Optional	Optional	-	-	-	-	-	-	-
Gas Conversion Kit		-	-	-	Standard	Standard	Standard	Standard	-	-	-
Others											
Total Gas Power (Depends on Model) Maximum	kW	-	-	-	8,3	8,1	8,1	8,1	-	-	-
Total Electric Power (Depends on Model) Maximum	kW	7,4	7,4	10,8	-	-	-	1	6	6	6
Voltage	V	230V- / 400V 3N-	230V- / 400V 3N-	230V- / 400V 3N-	230V-	230V-	230V-	230V-	230 / 400V 3N-	230 / 400V 3N-	230 / 400V 3N-
RoHS Compliance		Standard	Standard	Standard	Standard	Standard	Standard	Standard	Standard	Standard	Standard
CE Compliance		Standard	Standard	Standard	Standard	Standard	Standard	Standard	Standard	Standard	Standard
Carton Box Packaging		Standard	Standard	Standard	Standard	Standard	Standard	Standard	Standard	Standard	Standard
Packed Product Dimensions (WxDxH)	mm	626x581x142	816x581x142	926 x581x142	643x645x132	643x645x132	x	x	643x645x132	643x645x132	x
Packed Product Dimensions (WxDxH) Box	mm	643x583x144	x	941x583x144	662x648x132	662x648x132	662x648x132	645x648x132	662x648x132	662x648x132	662x648x132
Net Weight (Depends on Model) Maximum	kg	11	12	16	13	13	14	15	13,5	13,5	14,5
Gross Weight (Depends on Model) Maximum	kg	12	13	17	14,25	14,25	15	16	14,75	14,75	15,5

DOMINO HOB SPECIFICATION SHEET	Domino Gas Hobs		Domino Electric Hobs		Domino Gas Securit Hobs		Domino Vitro Ceramic Hobs		Domino Induction Ceramic Hobs	
	30 CM		30 CM		30 CM		30 CM		30 CM	
	Gas Serie 2	Electric Serie 2	Securit Serie 1	Securit Serie 2	Vitro Ceramic Serie 1	Vitro Ceramic Serie 2	Vestel Induction Serie1	Vestel Induction Serie 2		
Available Colours										
White	-	-	Optional	Optional	Optional	Optional	Optional	Optional	Optional	Optional
Brown	-	-	Optional	Optional	-	-	-	-	-	-
Terre de France	-	-	Optional	Optional	-	-	-	-	-	-
Black	-	-	Standard	Standard	Standard	Standard	Standard	Standard	Standard	Standard
Dark Green	-	-	Optional	Optional	-	-	-	-	-	-
Stainless Steel	Standard	Standard	-	-	-	-	-	-	-	-
Product Dimensions										
Height (varies from model to model)	mm	42,5	42,5	47,5	47,5	47,5	47,5	56	56	56
Width	mm	290	290	290	290	290	290	290	290	290
Depth	mm	510	510	520	510	520	510	520	510	510
Cut-out Dimensions										
Width	mm	270	270	270	270	270	270	270	270	270
Depth	mm	490	490	490	490	490	490	490	490	490
Hob Features										
Hob		Stainless Steel	Stainless Steel	Securit	Securit	Vitro Ceramic	Vitro Ceramic	Induction Ceramic	Induction Ceramic	
Rapid Gas Burner Ø10cm	W	3000	-	3000	3000	-	-	-	-	-
Semi-rapid Gas Burner Ø7.5cm	W	-	-	-	-	-	-	-	-	-
Auxiliary Gas Burner Ø5.5cm	W	1000	-	1000	1000	-	-	-	-	-
Wok (Triple Flame) Gas Burner Ø14cm	W	4000	-	3800	3800	-	-	-	-	-
Ø 145 mm Hotplate	W	-	1000	-	-	-	-	-	-	-
Ø 180 mm Hotplate	W	-	1500	-	-	-	-	-	-	-
Ø 145 mm Rapid Hotplate	W	-	1000	-	-	-	-	-	-	-
Ø 180 mm Rapid Hotplate	W	-	2000	-	-	-	-	-	-	-
Ø145 mm Highlite Element	W	-	-	-	-	1200	1200	-	-	-
Ø180 mm Highlite Element	W	-	-	-	-	1800	1800	-	-	-
Ø210 mm Highlite Element	W	-	-	-	-	-	-	-	-	-
Ø180 mm Dual Element	W	-	-	-	-	1700	1700	-	-	-
Ø145 mm Oval Element	W	-	-	-	-	-	-	-	-	-
Ø210 mm Dual Element	W	-	-	-	-	-	-	-	-	-
Ø210 mm Triple Element	W	-	-	-	-	-	-	-	-	-
Ø270 mm Triple Element	W	-	-	-	-	-	-	-	-	-
Rectangular Element	W	-	-	-	-	-	-	-	-	-
Ø 160 mm Induction Zone	W	-	-	-	-	-	-	Nominal 1400W max. Boost 1800W	Nominal 1400W max. Boost 1800W	
Ø 200 mm Induction Zone	W	-	-	-	-	-	-	Nominal 2100W max. Boost 2500W	Nominal 2100W max. Boost 2500W	
Oval Induction Zone										
Boost Function								Standard	Standard	
Pot Dedection								Standard	Standard	
Automatic Heatup								Standard	Standard	
Timer function for vitro ceramic hobs (if touch control with some hob configuration selected)								Standard	Optional	
Child Lock for vitro ceramic hobs (if touch control selected)						Standard	Standard	Standard	Standard	
Hot Surface Indicator Light						Standard	Standard	Standard	Standard	
Hotplate Operation Indicator Light			Standard							
Side Knob Control			Standard							
Side Touch Control										
Front Knob Control		Standard		Standard	Standard	Standard	Standard			
Front Touch Control						Optional	Optional	Standard		
Front Slim Touch Control										Optional
Bevelled Edges						Optional	Optional	Optional	Optional	
Logo		Standard	Standard	Optional	Optional	Optional	Optional	Optional	Optional	
Special Decoration on Glass				Optional	Optional	Optional	Optional	Optional	Optional	
Vitroceramic Glass Artwork						Slim Design Arc Design	Slim Design Arc Design	Slim Design Plus Design	Slim Design Plus Design	
Inox Frame					Standard		Standard			Standard
Stainless Steel Burner Pan				Optional	Optional					
Table Top Installation (not built-in)										
Glass Lid										
Burner Safety Valves		Optional		Optional	Optional					
Button Ignition		Optional								
One-touch-Ignition through knobs		Optional		Optional	Optional					
Enamel Pan Supports		Standard		Standard	Standard					
Cast Iron Pan Supports		Optional		Optional	Optional					
Cast Iron Burner Caps		Optional		Optional	Optional					
Coffee Adaptor		Optional		Optional	Optional					
Wok Adaptor		Optional		Optional	Optional					
Vitroceramic Glass Cleaning Spatula						Optional	Optional	Optional	Optional	
Gas Conversion Kit		Standard		Standard	Standard					
Others										
Total Power (Depends on Model) Maximum	kW	4	3,5	4	4	3	3	3,6	3,6	
Voltage	V	230 V ~	230 V ~	230V ~	230 V ~	230 V~	230 V ~	230 V~	230 V~	
RoHS Compliance		Standard	Standard	Standard	Standard	Standard	Standard	Standard	Standard	
CE Compliance		Standard	Standard	Standard	Standard	Standard	Standard	Standard	Standard	
Carton Box Packaging		Standard	Standard	Standard	Standard	Standard	Standard	Standard	Standard	
Packed Product Dimensions (WxDxH)	mm	x	x	330 x 578 x 140	330 x 578 x 140	326 x 578 x 133	326 x 578 x 133	332 x 581 x 142	332 x 581 x 142	
Packed Product Dimensions (WxDxH) Box	mm	331 x 566 x 135	331 x 566 x 135	x	x	x	x	x	x	
Net Weight (Depends on Model) Maximum	kg	5,5	4,75	4,7	4,7	4,7	4,7	5,5	5,5	
Gross Weight (Depends on Model) Maximum	kg	6	5,4	5	5	5	5	6,2	6,2	

































POLY HOB SPECIFICATION SHEET		Electric Built-in Hob		Vitreoceramic Built-in Hob		Induction Built-in Hob	
		60cm		60cm		60cm	
Available Colours							
White		Standard		Optional		-	
Brown		Optional		-		-	
Terre de France		Optional		-		-	
Black		Optional		Standard		Standard	
Dark Green		Optional		-		-	
Stainless Steel		Optional		-		-	
Product Dimensions							
Height	mm	39		41		53	
Width	mm	580		590		590	
Depth	mm	510		520		520	
Cut-out Dimensions							
Width	mm	560		560		560	
Depth	mm	490		490		490	
Hob Features							
Hob		Enamel		Vitreoceramic		Induction	
Ø 145 mm Hotplate	W	1000		-		-	
Ø 180 mm Hotplate	W	1500		-		-	
Ø 145 mm Rapid Hotplate	W	1500		-		-	
Ø 180 mm Rapid Hotplate	W	2000		-		-	
Ø145 mm Highlite Element	W	-		1200		-	
Ø180 mm Highlite Element	W	-		1800		-	
Ø180 mm Dual Element	W	-		1700		-	
Ø145 mm Oval Element	W	-		1800		-	
Ø210 mm Highlite Element	W	-		2300		-	
Ø210 mm dual Highlite Element	W	-		2200		-	
Ø 160 mm Induction Zone	W	-		-		Nominal 1400 W max. Boost 1800 W	
Ø 200 mm Induction Zone	W	-		-		Nominal 2100 W max. Boost 2500 W	
Boost Function		-		-		Standard	
Pot Dedection		-		-		Standard	
Timer (If touch control and some hob configuration selected for vitreoceramic hob)		-		-		Standard	
Child Lock (If touch control selected for vitreoceramic hob)		-		-		Standard	
Hot Surface Indicator Light		-		Standard		Standard	
Controls on the built-in oven panel		Standard		Standard		Standard	
Controller		7 step switch		Energy Regulator		Encoder	
Hotplate Operation Indicator Light		Standard		-		-	
Beveled Edges		-		Optional		Optional	
Logo		Standard		Optional		Optional	
Special Artwork on Glass		-		Optional		Optional	
Standart Vitreoceramic Glass Artwork		-		Slim Design Arc Design Point Design		Slim Design Arc Design Point Design	
Inox Frame		-		Optional		Optional	
Vitreoceramic Glass Cleaning Spatula		-		Optional		Optional	
Others							
Total Power (Depends on Model) Maximum	kW	8,1		9,6		10,5	
Voltage	V	230V~		230V~		230V~	
RoHS Compliance		Standard		Standard		Standard	
CE Compliance		Standard		Standard		Standard	
Carton Box Packaging		Standard		Standard		Standard	
Packed Product Dimensions (WxDxH)	mm	628x580x137		618x578x132		624x580x142	
Net Weight (Depends on Model) Maximum	kg	8,75		7		11	
Gross Weight (Depends on Model) Maximum	kg	9,5		8		12	
Container Loading Quantity (20 ft Container)	pcs	612		612		576	
Container Loading Quantity (40 ft Container)	pcs	1292		1292		1216	
Container Loading Quantity (40 ft HC Container)	pcs	1444		1444		1368	

65 It Built-in Oven Energy Class Declarations			
Model Description	Oven Function Designation	Available Energy Class Declarations	Function used for Energy Declaration
Static	(01/02/03/04/13/14/15)	B (yellow insulation) A (white insulation)	Upper + Lower
Turbo Fan	(05/06/07/08/09/16/17/18/19/23/24/50/51/52/53)	B (yellow insulation) A (yellow/white insulation) A+ (white insulation & Smart LCD Control)	Fan + Ring
Fan assisted	(10/11/12/20/21/22/25/26)	B (yellow insulation) A (yellow/white insulation)	Upper + Lower + Fan

*: Owner of this document is Vestel Beyaz Esya A.S.(VBE) . VBE has right to make changes on these values without notification by referring this document. - 14.05.2015

60 It Built-in Oven Energy Class Declarations			
Model Description	Oven Function Designation	Available Energy Class Declarations	Function used for Energy Declaration
Static	(01/02/03/04/13/14/15)	B (with / without cooling fan) A (with / without cooling fan)	Upper + Lower
Turbo Fan	(05/06/07/08/09/16/17/18/19/23/24/27/28/29/50/51/52/53)	B (with cooling fan) A (with cooling fan)	Fan + Ring
Fan assisted	(10/11/12/20/21/22/25/26)	B (with cooling fan) A (with cooling fan)	Upper + Lower + Fan

*: Owner of this document is Vestel Beyaz Esya A.S.(VBE) . VBE has right to make changes on these values without notification by referring this document. - 14.05.2015

Electric Oven Function for Built-in Ovens							
Function ID	Identity in the Market		Heating Element, Fan, Turnspit, Grill Availability	Oven Functions	Electrical Power at 230V	Number of Functions	Limitations
01	Static oven		(Top + Bottom)	0 / TOP+BOTTOM / BOTTOM / TOP	2300	3	-
02	Static oven		(Top + Bottom) + Grill + Turnspit	0 / TOP+BOTTOM / BOTTOM / TOP / GRILL+TURNSPIT	2300	4	-
03	Static oven		(Top + Bottom) + Grill + Turnspit	0 / TOP+BOTTOM / BOTTOM / GRILL+TURNSPIT / DOUBLE GRILL+TURNSPIT	2600	4	Not available for built-in oven without cooling fan
04	Static oven		(Top + Bottom) + Grill + Turnspit	0 / OVENLIGHT / TOP+BOTTOM / BOTTOM / TOP / GRILL+TURNSPIT / DOUBLE GRILL+TURNSPIT	2600	6	Not available for built-in oven without cooling fan
06	Turbo oven		(Fan + Ring) + Grill + Turnspit	0 / DEFROST / FAN+RING / GRILL+TURNSPIT / GRILL+FAN+TURNSPIT	2000	4	Not available for built-in oven without cooling fan
07	Multifunction oven		(Top + Bottom + Fan + Ring) + Grill + Turnspit	0 / DEFROST / FAN+RING / TOP+BOTTOM / TOP+BOTTOM+FAN / GRILL+TURNSPIT / GRILL+FAN+TURNSPIT	2300	6	Not available for built-in oven without cooling fan
08	Multifunction oven		(Top + Bottom + Fan + Ring) + Grill + Turnspit	0 / DEFROST / FAN+RING / TOP+BOTTOM / TOP+BOTTOM+FAN / GRILL+TURNSPIT / DOUBLE GRILL+TURNSPIT	2600	6	Not available for built-in oven without cooling fan
09	Multifunction oven		(Top + Bottom + Fan + Ring) + Grill + Turnspit	0 / OVENLIGHT / DEFROST / FAN+RING / TOP+BOTTOM / TOP+BOTTOM+FAN / PIZZA / GRILL+TURNSPIT / DOUBLE GRILL+TURNSPIT / DOUBLE GRILL+FAN+TURNSPIT	3100	9	Not available for built-in oven without cooling fan
10	Fan assisted oven		(Top + Bottom + Fan) + Grill + Turnspit	0 / DEFROST / TOP+BOTTOM / TOP+BOTTOM+FAN / GRILL+TURNSPIT / GRILL+FAN+TURNSPIT	2300	5	Not available for built-in oven without cooling fan
11	Fan assisted oven		(Top + Bottom + Fan) + Grill + Turnspit	0 / DEFROST / TOP+BOTTOM / TOP+BOTTOM+FAN / GRILL+TURNSPIT / DOUBLE GRILL+TURNSPIT	2600	5	Not available for built-in oven without cooling fan
12	Fan assisted oven		(Top + Bottom + Fan) + Grill + Turnspit	0 / OVENLIGHT / DEFROST / TOP+BOTTOM / TOP+BOTTOM+FAN / BOTTOM+FAN / GRILL+TURNSPIT / DOUBLE GRILL+TURNSPIT / DOUBLE GRILL+FAN+TURNSPIT	2600	8	Not available for built-in oven without cooling fan
13	Static oven		(Top + Bottom) + Grill	0 / TOP+BOTTOM / BOTTOM / TOP / GRILL	2300	4	-
14	Static oven		(Top + Bottom) + Grill	0 / TOP+BOTTOM / BOTTOM / GRILL / DOUBLE GRILL	2600	4	Not available for built-in oven without cooling fan
15	Static oven		(Top + Bottom) + Grill	0 / OVENLIGHT / TOP+BOTTOM / BOTTOM / TOP / GRILL / DOUBLE GRILL	2600	6	Not available for built-in oven without cooling fan
16	Turbo oven		(Fan + Ring) + Grill	0 / DEFROST / FAN+RING / GRILL / GRILL+FAN	2000	4	Not available for built-in oven without cooling fan
17	Multifunction oven		(Top + Bottom + Fan + Ring) + Grill	0 / DEFROST / FAN+RING / TOP+BOTTOM / TOP+BOTTOM+FAN / GRILL / GRILL+FAN	2300	6	Not available for built-in oven without cooling fan
18	Multifunction oven		(Top + Bottom + Fan + Ring) + Grill	0 / DEFROST / FAN+RING / TOP+BOTTOM / TOP+BOTTOM+FAN / GRILL / DOUBLE GRILL	2600	6	Not available for built-in oven without cooling fan
19	Multifunction oven		(Top + Bottom + Fan + Ring) + Grill	0 / OVENLIGHT / DEFROST / FAN+RING / TOP+BOTTOM / TOP+BOTTOM+FAN / PIZZA / GRILL / DOUBLE GRILL / DOUBLE GRILL+FAN	3100	9	Not available for built-in oven without cooling fan
20	Fan assisted oven		(Top + Bottom + Fan) + Grill	0 / DEFROST / TOP+BOTTOM / TOP+BOTTOM+FAN / GRILL / GRILL+FAN	2300	5	Not available for built-in oven without cooling fan
21	Fan assisted oven		(Top + Bottom + Fan) + Grill	0 / DEFROST / TOP+BOTTOM / TOP+BOTTOM+FAN / GRILL / DOUBLE GRILL	2600	5	Not available for built-in oven without cooling fan
22	Fan assisted oven		(Top + Bottom + Fan) + Grill	0 / OVENLIGHT / DEFROST / TOP+BOTTOM / TOP+BOTTOM+FAN / BOTTOM+FAN / GRILL / DOUBLE GRILL / DOUBLE GRILL+FAN	2600	8	Not available for built-in oven without cooling fan
23	Multifunction oven		(Top + Bottom + Fan + Ring)	0 / DEFROST / FAN+RING / TOP+BOTTOM / TOP+BOTTOM+FAN	2300	4	Not available for built-in oven without cooling fan
24	Multifunction oven		(Top + Bottom + Fan + Ring) + Turnspit	0 / DEFROST / FAN+RING+TURNSPIT / TOP+BOTTOM+TURNSPIT / TOP+BOTTOM+FAN+TURNSPIT	2300	4	Not available for built-in oven without cooling fan
25	Fan assisted oven		(Top + Bottom + Fan)	0 / DEFROST / TOP+BOTTOM / TOP+BOTTOM+FAN	2300	3	Not available for built-in oven without cooling fan
26	Fan assisted oven		(Top + Bottom + Fan) + Turnspit	0 / DEFROST / TOP+BOTTOM+TURNSPIT / TOP+BOTTOM+FAN+TURNSPIT	2300	3	Not available for built-in oven without cooling fan
27	Fan assisted oven		(Top + Bottom + Fan) + Grill	0 / DEFROST / TOP+BOTTOM / TOP+BOTTOM+FAN / GRILL / DOUBLE GRILL / PYROLYSIS	2600	6	Available for only pyrolytic oven
28	Multifunction oven		(Top + Bottom + Fan + Ring) + Grill	0 / DEFROST / TURBO / TOP+BOTTOM / TOP+BOTTOM+FAN / GRILL / DOUBLE GRILL / DOUBLE GRILL + FAN / PYROLYSIS	2600	8	Available for only pyrolytic oven
29	Multifunction oven		(Top + Bottom + Fan + Ring) + Grill + Turnspit	0 / DEFROST / TURBO / TOP+BOTTOM / TOP+BOTTOM+FAN / GRILL+TURNSPIT / DOUBLE GRILL+TURNSPIT / DOUBLE GRILL+FAN+TURNSPIT / PYROLYSIS	2600	8	Available for only pyrolytic oven
50	Multifunction oven		(Top + Bottom + Fan + Ring) + Grill + Turnspit	0 / OVENLIGHT / DEFROST / TURBO / TOP+BOTTOM / TOP+BOTTOM+FAN / PIZZA / GRILL + TURNSPIT / DOUBLE GRILL+ TURNSPIT / DOUBLE GRILL+FAN + TURNSPIT / VAP CLEAN	3100	10	Not available for built-in oven without cooling fan
51	Multifunction oven		(Top + Bottom + Fan + Ring) + Grill	0 / OVENLIGHT / DEFROST / TURBO / TOP+BOTTOM / TOP+BOTTOM+FAN / PIZZA / GRILL / DOUBLE GRILL / DOUBLE GRILL+FAN / VAP CLEAN	2300	10	Not available for built-in oven without cooling fan
52	Fan assisted oven		(Top + Bottom + Fan) + Grill	0 / DEFROST / BOTTOM / TOP+BOTTOM / TOP+BOTTOM+FAN / GRILL / GRILL+FAN	2300	6	Not available for built-in oven without cooling fan
53	Fan assisted oven		(Top + Bottom + Fan)	0 / BOTTOM / TOP / TOP+BOTTOM / TOP+BOTTOM+FAN	2300	4	Not available for built-in oven without cooling fan

Induction Hob Configurations for Built-in Hobs and Polyvalente Hobs					
HOB ID	CONFIGURATION	LIMITATIONS	ELEMENT PLACEMENT	GENERATION	CONTROL SYSTEM
18	2 x 160mm, 1400/1800W induction element 2 x 200mm, 2100/2500W induction element	Available for both 60cm and 78cm		VESTEL	STANDARD
19	2 x 160mm, 1400/1800W induction element 2 x 200mm, 2100/2500W induction element with timer	Available for both 60cm and 78cm		VESTEL	STANDARD OR SLIDER CONTROL
20	3 x 160mm, 1400/1800W induction element 2 x 200mm, 2100/2500W induction element with timer	Available only for Polyvalente		VESTEL	KNOB CONTROL
20	1 x 160mm, 1400/1800W induction element 2 x 200mm, 2100/2500W induction element	Available only for 60cm		VESTEL	STANDARD
21	1 x 160mm, 1400/1800W induction element 2 x 200mm, 2100/2500W induction element with timer	Available only for 60cm		VESTEL	STANDARD OR SLIDER CONTROL
22	1 x 160mm, 1400/1800W induction element 1 x 200mm, 2100/2500W induction element 1 x 250mm, 2800/3500W induction element	Available only for 60cm		VESTEL	STANDARD
23	1 x 160mm, 1400/1800W induction element 1 x 200mm, 2100/2500W induction element 1 x 250mm, 2800/3500W induction element with timer	Available only for 60cm		VESTEL	STANDARD OR SLIDER CONTROL
24	2 x 160mm, 1400/1800W induction element 1 x 200mm, 2100/2500W induction element	Available only for 30cm		VESTEL	STANDARD
25	3 x 160mm, 1400/1800W induction element 1 x 200mm, 2100/2500W induction element with timer	Available only for 30cm		VESTEL	STANDARD
26	2 x 160mm, 1400/1800W induction element 2 x 200mm, 2100/2500W induction element 1 x 250mm, 2800/3500W induction element with timer	Available only for 90cm		VESTEL	STANDARD
27	3 x 160mm, 1400/1800W induction element 1 x 200mm, 2100/2500W induction element bridge zone, mode function, timer	Available only for 60cm and 78cm		VESTEL	STANDARD

78cm Vitroceramic Hob Configurations			
HOB ID	Highlight Element Configuration	ELEMENT PLACEMENT	CONTROL SYSTEM
1	2 x 145 Highlite, 1 x oval, 1 x 180 highlite element		STANDART
*2	2 x 145 Highlite, 1 x oval, 1 x 180 highlite element with timer		
3	2 x 145 Highlite, 1 x dual, 1 x 210 highlite element		STANDART
*4	2 x 145 Highlite, 1 x dual, 1 x 210 highlite element with timer		
*5	2 x 145 Highlite, 1 x 210, 1 x oval highlite element		
*6	2 x 145 Highlite, 1 x 210, 1 x oval highlite element with timer		
9	1 x 145 Highlite, 1 x 180, 1 x dual, 1 x oval highlite element		STANDART
10	1 x 145 Highlite, 1 x 180, 1 x dual, 1 x oval highlite element with timer		STANDART OR SLIDER CONTROL
*11	2 x 145 Highlite, 1 x dual, 1 x oval highlite element		
*12	2 x 145 Highlite, 1 x dual, 1 x oval highlite element with timer		
*13	2 x 145 Highlite, 1 x 210 dual, 1 x oval highlite element		
*14	2 x 145 Highlite, 1 x 210 dual, 1 x oval highlite element with timer		
*17	2 x 145 Highlite, 1 x triple, 1 x dual highlite element		
*18	2 x 145 Highlite, 1 x triple, 1 x dual highlite element with timer		
*19	2 x 145 Highlite, 1 x oval, 1 x triple highlite element		
*20	2 x 145 Highlite, 1 x oval, 1 x triple highlite element with timer		

Specifications

60cm Vitroceramic Hob with Front Triangular Touch Control (FRTR)			
HOB ID	CONFIGURATION	ELEMENT PLACEMENT	CONTROL SYSTEM
1	2 x 145, 2 x 180 highlight element		STANDART OR SLIDER CONTROL
2	2 x 145, 1 x 180, 1 x 210 dual highlight element		STANDART
3	2 x 145, 1 x 180, 1 x 210 highlight element		STANDART OR SLIDER CONTROL
4	2 x 145, 1 x 210, 1 x 180 dual highlight element		STANDART
5	2x145, 1x180, 1xOval highlight		STANDART
6	2 x 145, 1 x 180 dual, 1 x oval highlight element		STANDART
*7	2 x 145, 1 x 210, 1 oval highlight element		
8	2 x 145, 1 x 180, 1 x 180 dual highlight element with timer		STANDART
9	2 x 145, 1 x 180 dual, 1 x oval highlight element with timer		STANDART
10	2 x 145, 1 x 180, 1 x 210 triple highlight element with timer		STANDART OR SLIDER CONTROL
11	2 x 145, 1 x 180 dual, 1 x 210 triple highlight element		STANDART
12	2 x 145, 1 x oval, 1 x 210 triple highlight element		STANDART
13	1 x 145, 1 x 180, 1 x 270 triple highlight element		STANDART
*14	2x145, 1x210 dual, 1x180 dual highlight element		
*15	2x145, 1x210 dual, 1x180 dual highlight element, timer		
*22	1x145, 1x180, 1x210 highlight element		
*23	1x145, 1x180, 1x210 dual highlight element		
*24	1x145, 2x180 highlight element		
25	1 x 145, 1 x 180, 1 x 270 dual highlight element		STANDART
26	1 x 145, 1 x 180, 1 x 270 dual highlight element with timer		STANDART
27	2 x 145, 2 x 180 highlight element, timer		STANDART

*: Available upon request

60cm Vitroceramic Hob with Side Touch Control (SDTC)			
HOB ID	CONFIGURATION	ELEMENT PLACEMENT	CONTROL SYSTEM
1	2 x 145, 2 x 180 highlight element		STANDART
2	2 x 145, 1 x 180, 1 x 180 dual highlight element		STANDART
3	2 x 145, 1 x 180, 1 x 210 highlight element		STANDART
4	2 x 145, 1 x 210, 1 x 180 dual highlight element		STANDART
*5	2 x 145, 1 x 180, 1 x oval highlight element		
*6	2 x 145, 1 x 180 dual, 1 x oval highlight element		
*7	2 x 145, 1 x 210, 1 oval highlight element		
*9	2 x 145, 1 x 180 dual, 1 x oval highlight element with timer		
*10	2 x 145, 1 x 180, 1 x 210 triple highlight element with timer		
*14	2 x 145, 1 x 210 dual, 1 x 180 dual highlight element		
*15	2 x 145, 1 x 210 dual, 1 x 180 dual highlight element with timer		

*: Available upon request

60cm Vitroceramic Hob with Side Knob Control (SDKB)			
HOB ID	CONFIGURATION	ELEMENT PLACEMENT	CONTROL SYSTEM
1**	2 x 145, 2 x 180 highlight element		None
2	2 x 145, 1 x 180, 1 x 180 dual highlight element		None
3**	2 x 145, 1 x 180, 1 x 210 highlight element		None
4	2 x 145, 1 x 210, 1 x 180 dual highlight element		None
*5	2 x 145, 1 x 180, 1 x oval highlight element		
*6	2 x 145, 1 x 180 dual, 1 x oval highlight element		
7	2 x 145, 1 x 210, 1 oval highlight element		None

** 1, 3 VITROCERAMIC HOB CONFIGURATIONS ARE APPLICABLE FOR BOTH HIGHLIGHT ELEMENT AND RADIANT ELEMENT
*: Available upon request

60cm Vitroceramic Hob for Combi Built-in Oven (POLY)			
HOB ID	CONFIGURATION	ELEMENT PLACEMENT	CONTROL SYSTEM
4	2 x 145, 2 x 180 highlight element		None
5	2 x 145, 1 x 180, 1 x 180 dual highlight element		None
9	2 x 145, 1 x 180 dual, 1 x oval highlight element		None
*10	2 x 145, 1 x 180, 1 x oval highlight element		
11	2 x 145, 1 x 180, 1 x 210 highlight element		None
*12	2 x 145, 1 x 210, 1 x 180 dual highlight element		
*13	2 x 145, 1 x 210, 1 oval highlight element		
*14	2 x 145, 1 x oval, 1 x 210 dual highlight element		

*: Available upon request

60cm Side Controlled Solid Hotplate and Polyvalente Built-in Electric Hob Configurations			
HOB ID	CONFIGURATION	LIMITATIONS	ELEMENT PLACEMENT
01	2 x 145, 2 x 180 hotplate	None	
02	2 x 145, 1 x 180, 1 x 180 rapid hotplate	None	
03	1 x 145, 1 x 145 rapid, 1 x 180, 1 x 180 rapid hotplate	Not available for polyvalente type hob	
*04	1 x 145, 1 x 145 rapid, 2 x 180 hotplate	Not available for polyvalente type electric hob	

60CM SIDE CONTROLLED SOLID HOTPLATE HOBS ARE AVAILABLE FOR TABLE TOP
 *: Available upon request with warranty of a certain amount.

60cm Pure Design Combined Hobs Configurations			
HOB ID	CONFIGURATION	LIMITATIONS	ELEMENT PLACEMENT
62	2 Gas Heaters (1 x Rapid & 1 x Semi Rapid) 2 Hilight Heaters (1X180 & 1X145)	Available for only side knob control	
64	2 Gas Heaters (1 x Rapid & 1 x Auxiliary) 2 Hilight Heaters (1X180 & 1X145)	Available for only side knob control	
66	3 Gas Heaters (1 x Semi Rapid & 1 x Auxiliary & 1 x Rapid) 1 Hilight Heater (1X180)	Available for only side knob control	
67	3 Gas Heaters (1 x Semi Rapid & 1 x Auxiliary & 1 x Rapid) 1 Hilight Heater (1X180 DUAL)	Available for only side knob control	
69	2 Gas Heaters (1 x Rapid & 1 x Semi Rapid) 2 Induction Heaters with timer 1X200 (Nominal 2100W max.Boost 2500W) 1X160 (Nominal 1400W max.Boost 1800W)	Available for only side control. Touch control is standard for induction heaters, knob control is standard for gas heaters.	

60cm Side Controlled Gas Hob Configurations			
HOB ID	CONFIGURATION	LIMITATIONS	ELEMENT PLACEMENT
31	1 x Auxiliary, 1 x Semi Rapid, 1 x Rapid Burner, 1 x Hotplate	Not available for gas on glass hob	
40	1 x Auxiliary, 2 x Semi Rapid, 1 x Rapid Burner	None	
41	1 x Auxiliary, 2 x Semi Rapid, 1 x Triple Flame Burner	None	



60CM SIDE CONTROLLED GAS HOBS ARE AVAILABLE FOR TABLE TOP APPLICATION



90cm Front Controlled Gas Hob Configurations			
HOB ID	CONFIGURATION	LIMITATIONS	ELEMENT PLACEMENT
51	1 x Auxiliary, 2 x Semi Rapid, 1 x Rapid, 1 x Triple Flame Burner (MONO)	None	
53	2 x Auxiliary, 2 x Semi Rapid, 1 x Rapid, 1 x Triple Flame Burner (DUAL)	None	










30cm Solid Hotplate Hob Configurations			
HOB ID	CONFIGURATION	ELEMENT PLACEMENT	LIMITATIONS
05	1 x 145, 1 x 180 hotplate		None
*06	1x145 rapid hotplate, 1x180 rapid hotplate		
*07	1x145rapid hotplate, 1x180 hotplate		
08	1x145 hotplate, 1x180 rapid hotplate		None







*: Available upon request with warranty of a certain amount.












30cm Vitroceramic Hob Configurations		
HOB ID	CONFIGURATION	ELEMENT PLACEMENT
16	1 x 180 Hilight, 1 x 145 Hilight element	
17	1 x 180 Dual, 1 x 145 Hilight element	
19	1 x 180 Hilight, 1 x 145 Hilight element with timer	
20	1 x 180 Dual, 1 x 145 Hilight element with timer	

30cm Gas On Glass Hob Configurations		
HOB ID	CONFIGURATION	ELEMENT PLACEMENT
10	1 x Triple Flame Burner	
20	1 x Auxiliary, 1 x Burner	

30cm Induction Hob Configurations		
HOB ID	CONFIGURATION	ELEMENT PLACEMENT
24	1 x 160 mm, 1400 / B1800W induction element 1 x 200 mm, 2100 / B2500W induction element	
25	1 x 160 mm, 1400 / B1800W induction element 1 x 200 mm, 2100 / B2500W induction element with timer	
















	I Type Add_on		U Type Add_on		O Type Add_on		Mono Stripe Add_on		O Type	
	Inox Control Panel	Glass Control Panel	Inox Control Panel	Glass Control Panel	Inox Control Panel	Glass Control Panel	Inox Control Panel	Glass Control Panel	Inox Control Panel	Glass Control Panel
17 mm	 Laser Cut	 Laser Cut	 Laser Cut	 Laser Cut	N/A	N/A	 Laser Cut	 Laser Cut	N/A	N/A
50 mm	 Cladding	 Cladding	 Cladding or Laser Cut	 Cladding	 Cladding	 Cladding or Laser Cut	 Laser Cut	 Laser Cut	N/A	N/A
65 mm	 Cladding	 Cladding	 Cladding	 Cladding	N/A	N/A	N/A	N/A	N/A	N/A
80 mm	N/A	N/A	N/A	N/A	N/A	N/A	 Laser Cut	 Laser Cut	N/A	N/A
85 mm	N/A	N/A	N/A	N/A	 Cladding	 Cladding	N/A	N/A	N/A	N/A














Duo Stripe Add_on Glass Control Panel	Trio Stripe Add_on Glass Control Panel	Corner Add_on Glass Control Panel	Visio Touch Add_on Glass Control Panel	Visio Display Add_on Glass Control Panel	Smart LCD Add_on Glass Control Panel
					
Laser Cut	Laser Cut	Laser Cut	Laser Cut	Laser Cut	Laser Cut





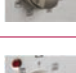


Built-in Oven Add_on Limitations Table (75lt)								
I Type Add_on		U Type Add_on		O Type Add_on O Type		Mono Stripe Add_on O Type		Duo Stripe Add_on
Inox Control Panel	Glass Control Panel	Inox Control Panel	Glass Control Panel	Inox Control Panel	Glass Control Panel	Inox Control Panel	Glass Control Panel	Inox Control Panel
N/A	N/A	 Laser Cut	 Laser Cut	N/A	N/A	N/A	N/A	N/A
 Cladding	 Cladding	 Cladding	 Cladding	 Cladding	 Cladding	N/A	N/A	N/A
N/A	N/A	N/A	N/A	N/A	N/A	 Laser Cut	 Laser Cut	 Laser Cut






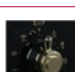
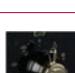





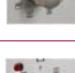
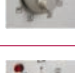



		ENAMELLED PAN SUPPORTS					CAST IRON PAN SUPPORTS				
		Lama S-type	Lama V-type	Lama O-type	Lama K-type	Lama D-type	S-type Cast Iron	W-type Cast Iron	K-type Cast Iron	Extenda Cast Iron	
		0°	0°	45°	45°	0°	0°	45°	45°	0°	
SIDE CONTROLLED HOBS	FLAT (R, S type)								N/A	N/A	N/A
	FLAT (T type)								N/A	N/A	
	SURFACE								N/A	N/A	N/A
	SMOOTHLINE				N/A	N/A		N/A	N/A	N/A	N/A
	NEW FREESTANDING								N/A	N/A	N/A
	DIVISION		N/A	N/A	N/A	N/A	N/A		N/A	N/A	N/A

		ENAMELLED PAN SUPPORTS					CAST IRON PAN SUPPORTS				
		Lama S-type	Lama V-type	Lama O-type	Lama K-type	Lama D-type	S-type Cast Iron	W-type Cast Iron	K-type Cast Iron	Extenda Cast Iron	
		0°	0°	45°	45°	0°	0°	45°	45°	0°	
FRONT CONTROLLED HOBS	30 cm Domino GG300/10/20			N/A	N/A	N/A	N/A		N/A	N/A	N/A
	60 cm Model1 4G GG660/40			N/A	N/A		N/A	N/A	N/A		N/A
	60 cm Model1 4G/1W GG660/41			N/A	N/A	N/A	N/A	N/A	N/A		N/A
	70 cm Model1 5G GG700/50			N/A	N/A	N/A	N/A	N/A	N/A		N/A
	70 cm Model1 5G/1W GG700/51			N/A	N/A	N/A	N/A	N/A	N/A		N/A
	60 cm Plusx GG610/40/41			N/A	N/A	N/A	N/A		N/A	N/A	N/A
	70 cm Plusx GG710/51			N/A	N/A	N/A	N/A		N/A	N/A	N/A

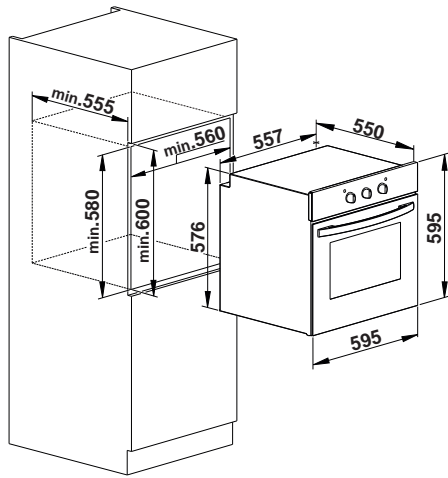
		ENAMELLED PAN SUPPORTS			CAST IRON PAN SUPPORTS				
		Lama Mono, Standard	Lama Mono, Plusx	Mono, Profile	Mono Cast Iron	Mono Cast, Plusx	Line Cast Iron	Deluxe Cast Iron	S-type Cast Iron
									
		45°	45°	45°	45°	45°	0°	45°	0°
YANDAN KONT CAM TABLALI / SIDE CONT. GAS ON GLASS	SECURIT II 4G GS66Y/40 	A	A	A	A	A	N/A	N/A	N/A
	SECURIT II 4G/1W GS66Y/41 	A	A	A	A	N/A	N/A	N/A	N/A
	SECURIT II TRIO GS66Y/21 	A	A	A	N/A	A	N/A	N/A	N/A
	PURE DESIGN 2GAS+2 VITRO GS61Y/62/64 	A	A	A	A	A	N/A	N/A	N/A
	PURE DESIGN 3GAS+1 VITRO GS61Y/66/67 	A	A	A	A	A	N/A	N/A	N/A
	PURE DESIGN 2GAS+2 IND GS61Y/69 	A	A	A	A	A	N/A	N/A	N/A
SECURIT DIVISION GS61D/40 	N/A	N/A	N/A	N/A	N/A	N/A	N/A	N/A	A

		ENAMELLED PAN SUPPORTS			CAST IRON PAN SUPPORTS				
		Lama Mono, Standart	Plusx Mono, Plusx	Mono, Profile	Mono Cast Iron	Mono Cast, Plusx	Line Cast Iron	Deluxe Cast Iron	S-type Cast Iron
									
		45°	45°	45°	45°	45°	0°	45°	0°
FRONT CONT. GAS ON GLASS	SECURIT 30 cm GS300/10/20 	A	A	A	N/A for Wok	A	N/A	N/A	N/A
	SECURIT M1 60 cm GS66O/40/41 	A	A	A	A	N/A	N/A	N/A	N/A
	SECURIT M1 70 cm GS700/50/51 	A	A	A	A	N/A	N/A	N/A	N/A
	SECURIT PLUSX 60 cm GS6 O 40/41 	A	A	A	N/A for Wok	A	A	A	N/A
	SECURIT PLUSX 70 cm GS710/51 	A	A	A	N/A for Wok	A	A	A	N/A

Knob Limitation Table Built-in Cookers					
		BUILT-IN	Side Controlled HOB	Front Controlled HOB	DOMINO S-I / S-II
ALFA		✓	✓	✓	✓
ANTERO		✓	Knob with ring Not applicable to Hob range	Knob with ring Not applicable to Hob range	Knob with ring Not applicable to Hob range
BUYUK ANTERO		✓	✓	✓	✓
BIG MACRO RING		✓	Knob with ring Not applicable to Hob range	Knob with ring Not applicable to Hob range	Knob with ring Not applicable to Hob range
BIG MACRO		✓	✓	✓	Not suitable for Domino range. (Alternative - Small Macro)
BIG RIMO		✓	✓	✓	✓
BIG TRIO		✓	✓	✓	✓
DELTA		✓	✓	✓	✓
DELTA RING		✓	Knob with ring Not applicable to Hob range	Knob with ring Not applicable to Hob range	Knob with ring Not applicable to Domino range
ECLIPSE		✓	✓	✓	✓
ECLIPSE RING		✓	Knob with ring Not applicable to Hob range	Knob with ring Not applicable to Hob range	Knob with ring Not applicable to Domino range
EPSILON		✓	Knob with ring It's not applicable to Hob range	Knob with ring It's not applicable to Hob range	Knob with ring Not applicable to Domino range
FEROUS		✓	✓	✓	✓
GAMA		✓	✓	Height of knob is not suitable for FC range	✓
GAMA RING		✓	Knob with ring Not applicable to Hob range	Knob with ring Not applicable to Hob range	Knob with ring Not applicable to Domino range
JANNU		✓	✓	✓	✓
JANNU RING		✓	Knob with ring Not applicable to Hob range	Knob with ring Not applicable to Hob range	Knob with ring Not applicable to Hob range

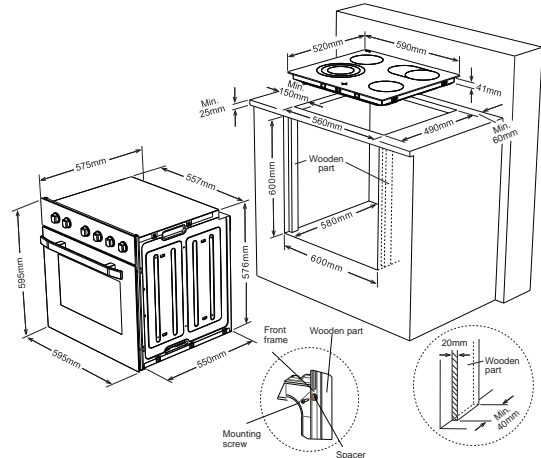
Knob Limitation Table Built-in Cookers					
		BUILT-IN	Side Controlled HOB	Front Controlled HOB	DOMINO S-I / S-II
NORD		✓	✓	Height of knob is not suitable for FC range	✓
NORD RING		✓	Knob with ring Not applicable to Hob range	Knob with ring Not applicable to Hob range	Knob with ring Not applicable to Domino range
OMEGA		✓	Knob with ring Not applicable to Hob range	Knob with ring Not applicable to Hob range	Knob with ring Not applicable to Domino range
PIPO		✓	Pop in-Pop out mechanism is not available for Hob range.	Pop in-Pop out mechanism is not available for Hob range.	Pop in-Pop out mechanism is not available for Domino range.
RIMO		✓	Knob with ring Not applicable to Hob range	Knob with ring Not applicable to Hob range	Knob with ring Not applicable to Domino range
RUSTIC RISUS (without ring)		✓	✓	Height of knob is not suitable for FC range	✓
RUSTIC RISUS (with ring)		✓	Knob with ring Not applicable to Hob range	Knob with ring Not applicable to Hob range	Knob with ring Not applicable to Domino range
SMALL MACRO (with ring)		✓	Knob with ring Not applicable to Hob range	Knob with ring Not applicable to Hob range	Knob with ring Not applicable to Domino range
SMALL MACRO (without ring)		✓	Not suitable for Hob range. (Alternative - Big Macro)	Not suitable for Hob range. (Alternative - Big Macro)	✓
SPECTRUM		✓	Knob with ring Not applicable to Hob range	Knob with ring Not applicable to Hob range	Knob with ring Not applicable to Domino range
TRIO		✓	Knob with ring Not applicable to Hob range	Knob with ring Not applicable to Hob range	Knob with ring Not applicable to Domino range
VESTA		✓	✓	Height of knob is not suitable for FC range	✓
VARIO		✓	✓	✓	✓
VARIO RING		✓	Knob with ring Not applicable to Hob range	Knob with ring Not applicable to Hob range	Knob with ring Not applicable to Domino range
ZENITH		✓	✓	✓	✓
ZETA		✓	✓	✓	✓
ZETA RING		✓	No use	No use	No use

Built-in installations of built-in ovens



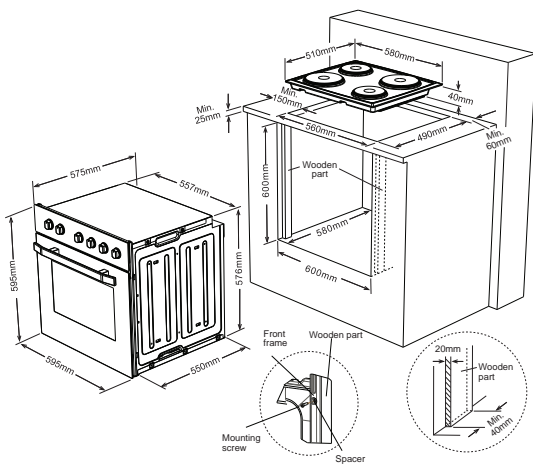
Flush Installation of 60cm Combi Vitroceramic Hob and Built-in Oven

05/2013



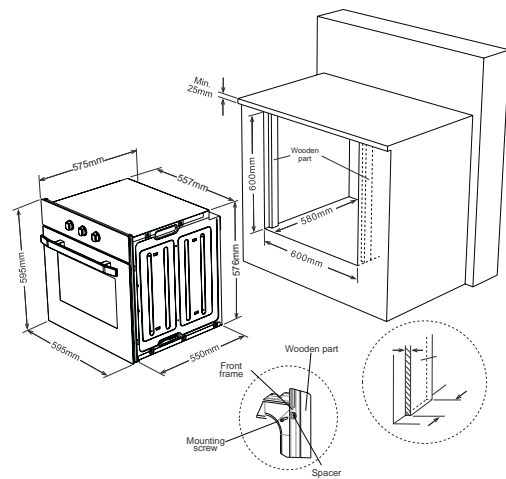
Flush Installation of 60cm Combi Electric Hob and Built-in Oven

05/2013



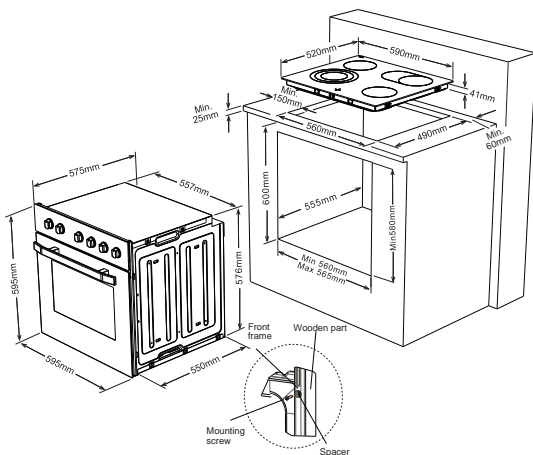
Flush Installation of 60cm Built-in Oven

04/2013



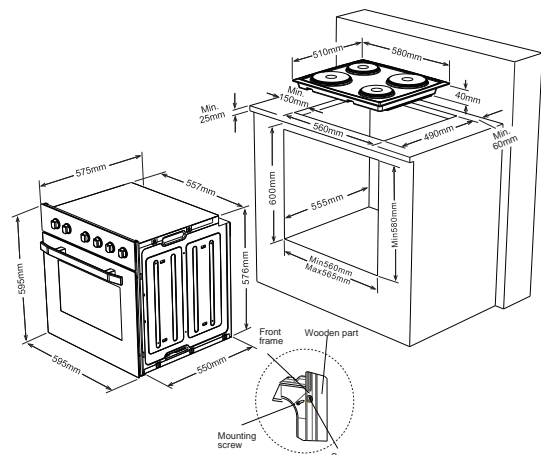
Regular Installation of 60cm Combi Vitroceramic Hob and Built-in Oven

05/2013

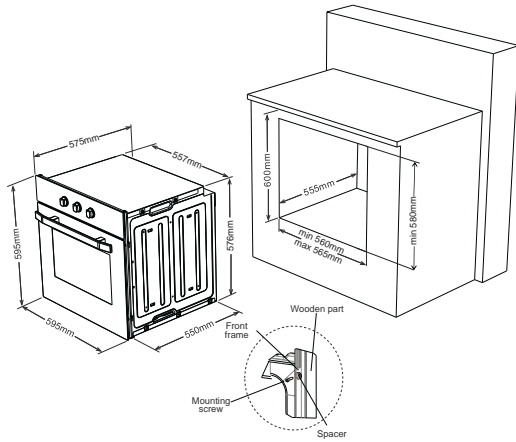


Regular Installation of 60cm Combi Electric Hob and Built-in Oven

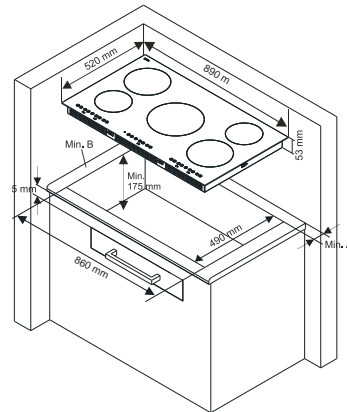
05/2013



Regular Installation of 60cm Built-in Oven



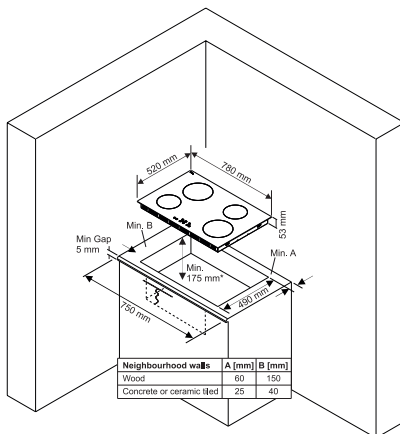
Installation of new generation 90 cm Induction Hob



Neighbourhood walls	A [mm]	B [mm]
Wood	60	150
Concrete or ceramic tiled	25	40

* In the case of installation over built in oven, distance should be min. 10 mm.

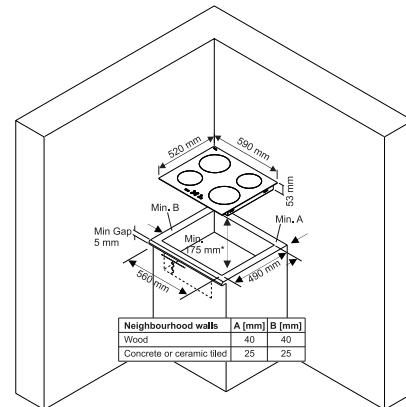
Installation of new generation 78 cm Induction Hob



Neighbourhood walls	A [mm]	B [mm]
Wood	60	150
Concrete or ceramic tiled	25	40

* : In the case of installation over built in oven, distance should be min. 10 mm.

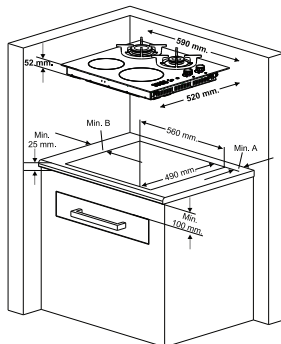
Installation of new generation 60 cm Induction Hob



Neighbourhood walls	A [mm]	B [mm]
Wood	40	40
Concrete or ceramic tiled	25	25

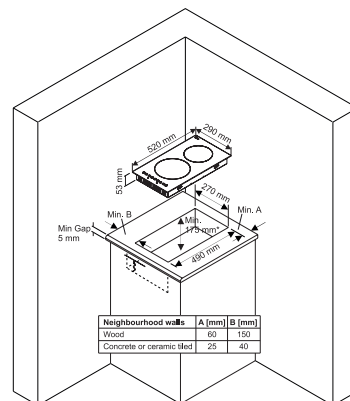
* : In the case of installation over built in oven, distance should be min. 10 mm.

60cm Gas & Induction on Glass Hob with Side Control_ Pure Design



Neighbourhood walls	Min A(mm)	Min B(mm)
Wood	60	150
Concrete or ceramic tiled	40	50

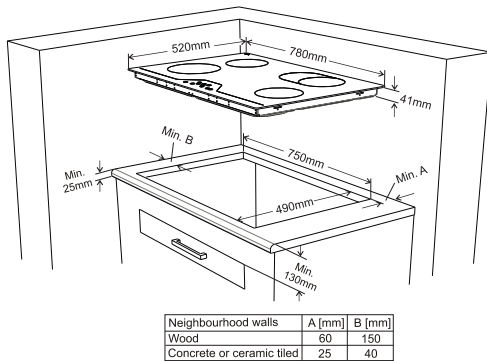
Installation of new generation 30cm Induction Domino Hob With Touch Control



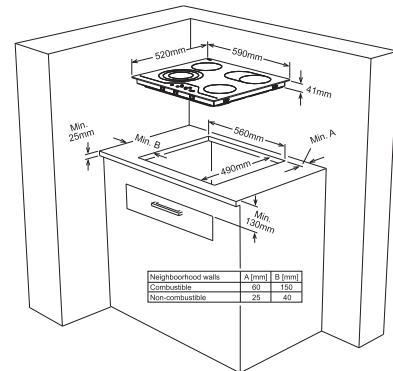
Neighbourhood walls	A [mm]	B [mm]
Wood	60	150
Concrete or ceramic tiled	25	40

* : In the case of installation over built in oven, distance should be min. 10 mm.

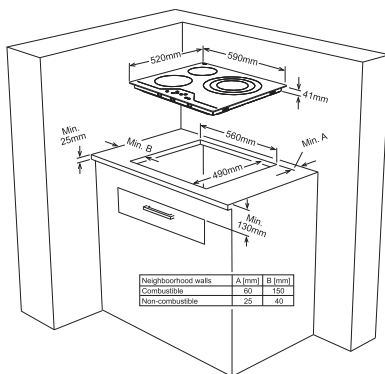
Installation of 78cm Vitroceramic Hob with Front Touch Control



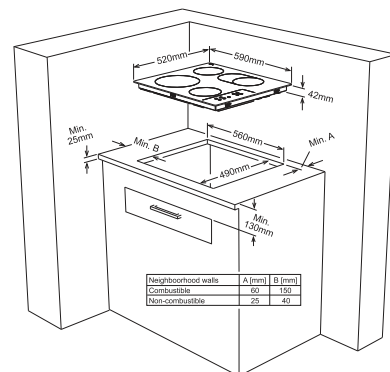
Installation of 60cm Vitroceramic Hob with Front Triangular Touch Control



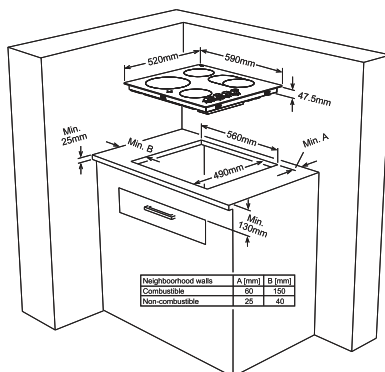
Installation of 60cm Vitroceramic Hob with Front Triangular Touch Control (1x180, 1x145, 1x270 Triple Zone)



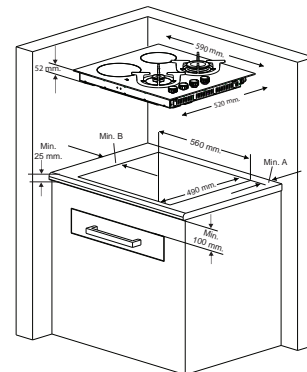
Installation of 60cm Vitroceramic Hob with Side Touch Control



Installation of 60cm Vitroceramic Hob with Side Knob Control

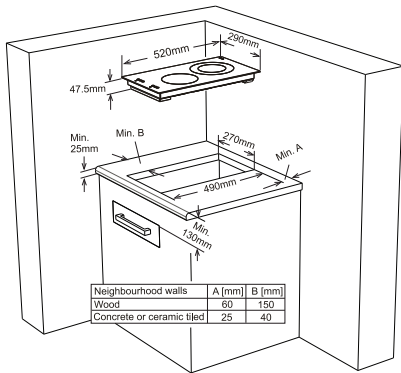


60cm Gas&Vitroceramic on Glass Hob with Side Control_Pure Design

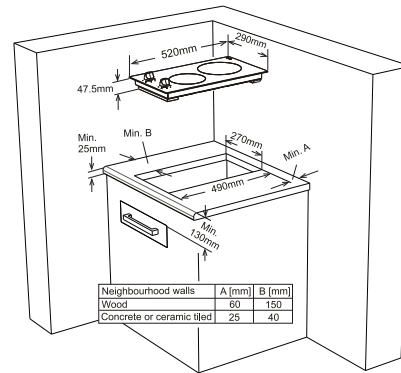


Neighbourhood walls	Min A(mm)	Min B(mm)
Wood	60	150
Concrete or ceramic tiled	40	50

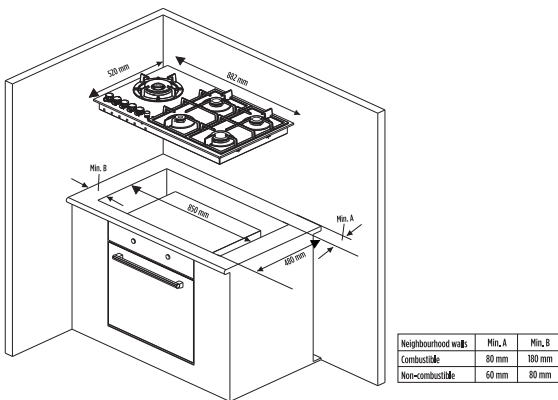
Installation of 30cm Vitroceramic Domino Hob with Touch Control



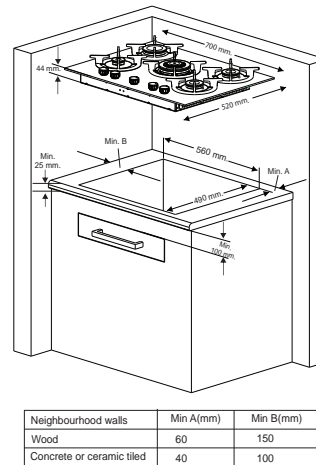
Installation of 30 cm Vitroceramic Domino Hob with Knob Control



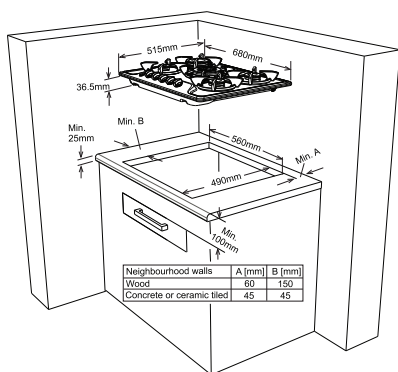
90cm Gas on Glass Hob with Front Control Installation



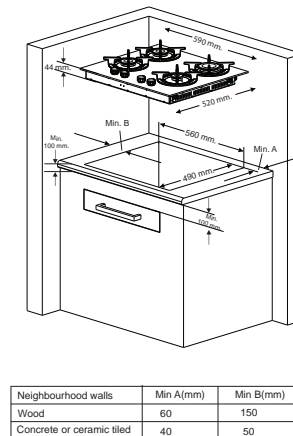
Installation of 70cm Gas on Glass Hob with Front Controlled PlusX Design



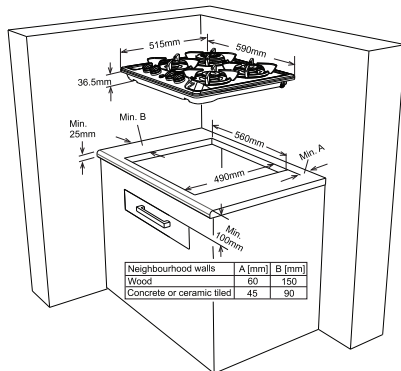
Installation of 70cm Gas on Glass Hob with Front Control



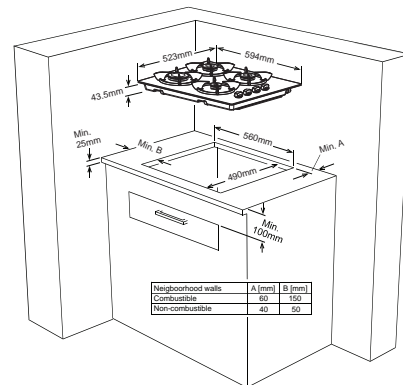
60cm Gas on Glass Hob with Front Controlled PlusX Design



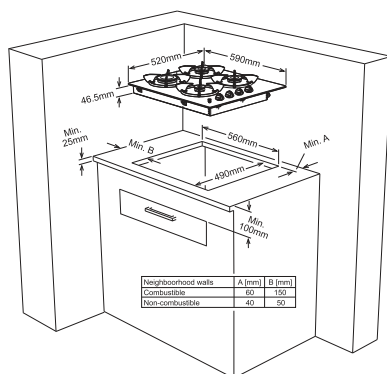
Installation of 60cm Gas on Glass Hob with Front Control



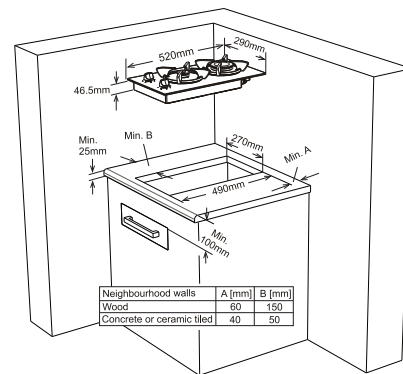
Installation of 60cm Gas on Glass Hob with Side Control Serie 2



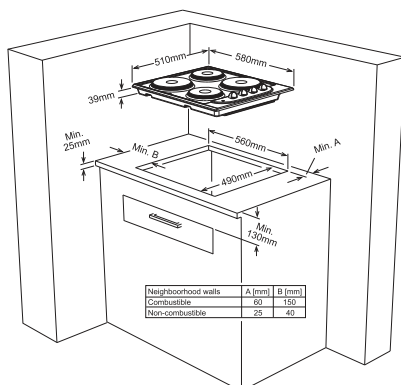
Installation of 60cm Gas on Glass Hob with Side Control



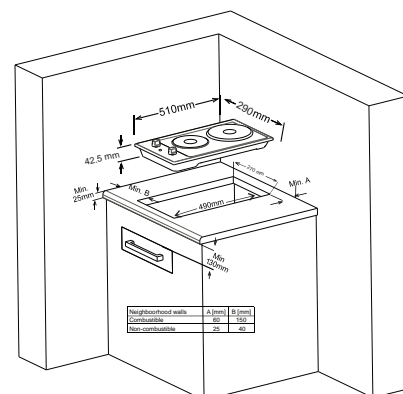
Installation of 30cm Gas on Glass Domino Hob



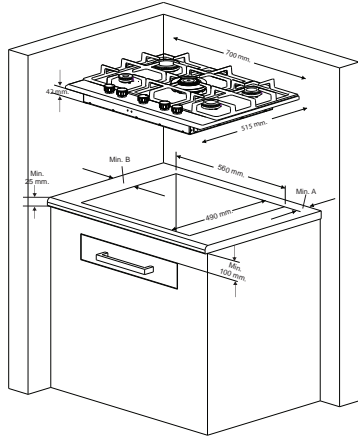
Installation of 60cm Electronic Hob with Side Control



Installation of 30cm Electric Hob with Front Control

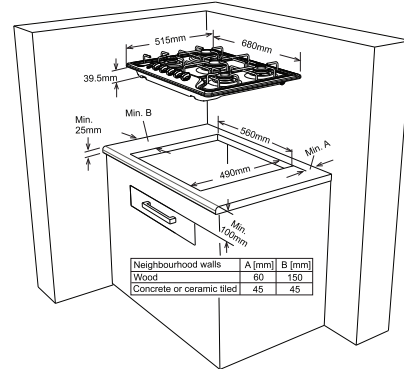


70cm Gas Hob with Front Controlled PlusX Design



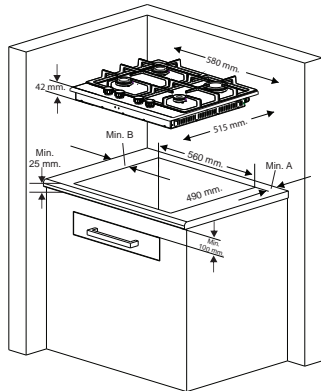
Neighbourhood walls	Min A(mm)	Min B(mm)
Wood	60	150
Concrete or ceramic tiled	40	100

Installation of 70cm Gas Hob with Front Control



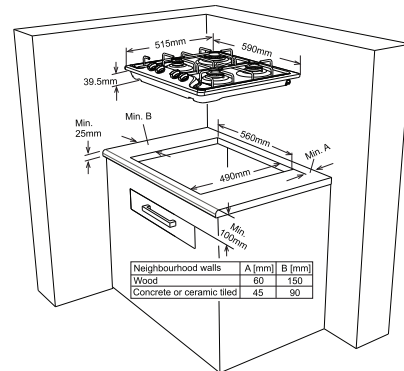
Neighbourhood walls	A [mm]	B [mm]
Wood	60	150
Concrete or ceramic tiled	45	45

Installation of 60cm Gas Hob with Front Controlled PlusX Design



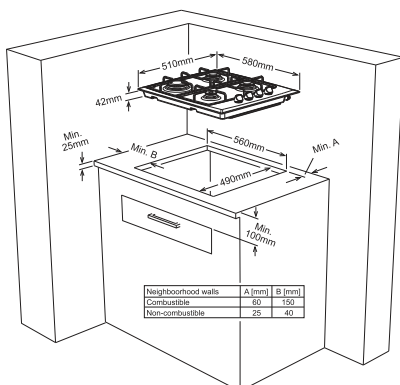
Neighbourhood walls	Min A(mm)	Min B(mm)
Wood	60	150
Concrete or ceramic tiled	40	50

Installation of 60cm Gas Hob with Front Control



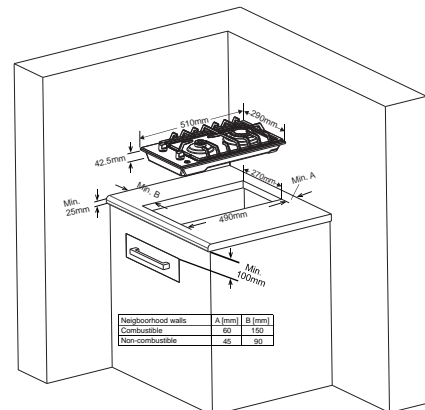
Neighbourhood walls	A [mm]	B [mm]
Wood	60	150
Concrete or ceramic tiled	45	90

Installation of 60cm Gas Hob with Side Control



Neighbourhood walls	A [mm]	B [mm]
Combustible	60	150
Non-combustible	25	40

Installation of 30cm Domino Gas Hob with Front Control (Serie 2)



Neighbourhood walls	A [mm]	B [mm]
Combustible	60	150
Non-combustible	45	90

Vestel Trade Co.

Organize Sanayi Bölgesi, 45030 Manisa/Türkiye

Phone: 90 - 236 233 25 82

Fax: 90 - 236 233 25 84

vesteltrade@vestel.com.tr

www.vestel.com.tr

Vestel France S.A.

17 Rue de la Couture-Silic BP 10190-94563 RUNGIS Cedex/
France

Phone: 33 - 1 46 75 00 29

Fax: 33 - 1 41 80 99 31

p.benhamou@vestel-france.fr

Vestel Germany GmbH

Parkring 6 85748 Garching b. München/Germany

Phone: 49 - 89 55295 - 0

Fax: 49 - 89 55295 - 2000

info@vestel-germany.de

www.vestel-germany.de

Vestel Iberia

Avda, Partenon, 16-18 Planta 1 Oficina 6, 28042 Madrid/Spain

Phone: 34 -91 320 63 98

Fax: 34 -91 320 52 58

vestel@vestel.es www.vestel.es

Gruppo Industriale Vesit SPA

Via polidoro da Caravaggio, 6, 20156 - Milano/Italy

Phone: 39 - 02 842 48577

Fax: 39 - 02 842 48617

info@givesit.it www.givesit.it

Vestel UK Ltd

Vestel House, Waterside Drive
Langley, Berkshire SL3 6EZ

Phone: 44 - 3330 146 400

info@vestel-uk.com

www.vestel.co.uk

Vestel Benelux B.V.

P.O. Box 29179 3001 GD - Rotterdam / Netherlands

Phone: 31 - 10 235 1000

Fax: 31 - 10 235 1003

info@vestelbenelux.nl • www.vestelbenelux.nl

Vestel Scandinavia

Postikatu 4, FI-04400 Järvenpää / Finland

Phone: 358 - 46 712 2262

Fax: 358 - (0) 9 251 7 8222

Vestel CIS Ltd.

1-st Graivoronovskiy Proezd, No.20 Building 16, 109518,
Moscow /Russia

Phone: 7 - 095 956 8230

Fax: 7 - 095 956 8233

info@vestel.ru • www.vestel.ru

Vestel Electronica

Str Zidarului nr 9-11, Sector 5 Bucuresti, ZIP 051765
Bucharest/Romania

Phone: 40 - 31 425 42 93

Fax: 40 -31 425 42 95

office@vestel.ro • www.vestel.ro

Vestfrost Household

Spangsbjerg Mollevej 100, DK-6705 Esbjerg 0, Denmark

Phone: 45 - 7610 4045

Fax: 45 - 7610 4046

United Technical Services

S.R.O. ul. Seneckâ 16, 91101 Samorin, Slovakia

Phone: 421- 31 590 27 31

Fax:421- 31 590 27 38

info@uts.sk • www.uts.sk

TOO Vestel Central Asia

Dostyk Avenue, 132 , Office 6, Almaty/Kazakhstan

Phone: 7 - 727 262 83 01

Vestel Poland

Poleczki 33, 02-822 Warszawa, Mazowieckie

Phone: 48 22 2555700

info@vestel-poland.com

